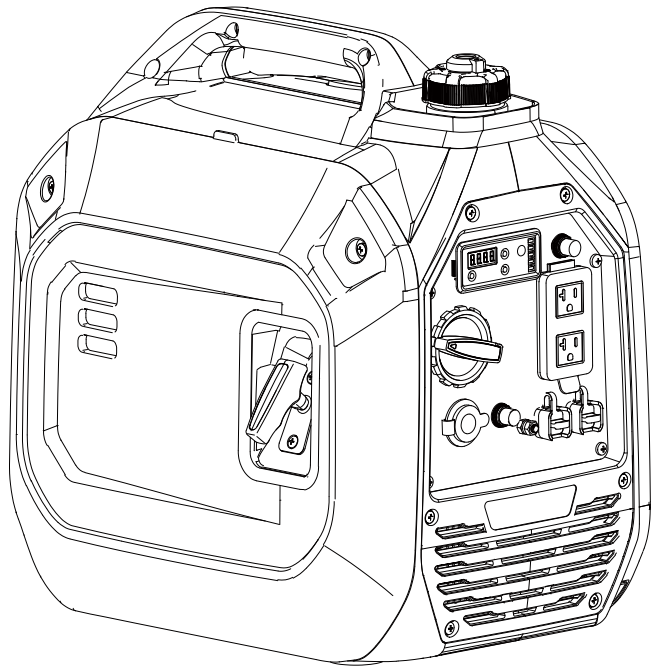




MODEL #BD201309



PARTS INFORMATION

2500W PORTABLE INVERTER GENERATOR

SERIAL NUMBER RANGE: ALL



To order replacement parts please call:
1-888-376-7375.

TABLE OF CONTENTS

Generator Parts Diagram	3
Generator Parts List	4
Engine Parts Diagram	5
Engine Parts List	6
Cylinder Head Parts Diagram	8
Cylinder Head Parts List	9
Carburetor Parts Diagram	10
Carburetor Parts List	11
Mounting Plate Parts Diagram	12
Mounting Plate Parts List	13
Fuel Tank Parts Diagram	14
Fuel Tank Parts List	15
Control Panel Parts Diagram	16
Control Panel Parts List	17
Wiring Diagram	18

GENERATOR PARTS DIAGRAM

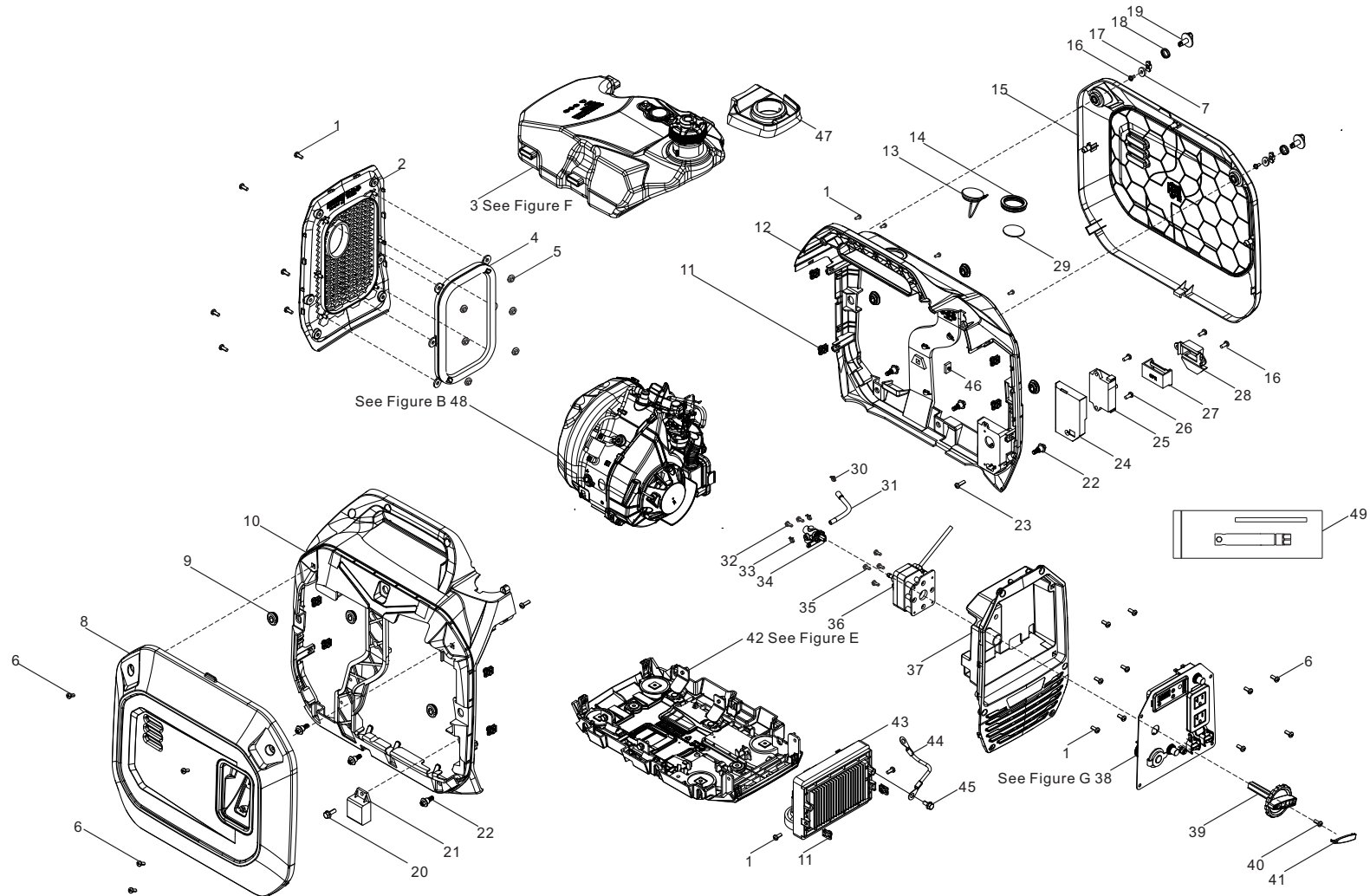


Figure A

GENERATOR PARTS LIST

#	Part Number	Description	Qty.
1	90255-000004	M5 x 16 Screw & Washer Assembly	18
2	18002-000010	Muffler Louver	1
3	96104-Y16620-0009	Fuel tank Assembly - See Figure F	1
4	18018-000002	Muffler Insulator Glue Cushion	1
5	37073-000001	Spring Clip	6
6	90255-000003	M5 x 12 Screw & Washer Assembly	8
7	90408-000002	Flat Washer	2
8	80092-000028	Left Cover Board	1
9	16601-000005	Fuel Tank Vibration Mount Ø13 x 17	6
10	80091-000009	Left Shell	1
11	17199-000003	M5 Clip Nut	10
12	80095-000010	Right Shell	1
13	30431-000004	Rubber Sleeve Ø30 x Ø41.7 x 87.5	1
14	30431-000005	Rubber Sleeve Ø30 x Ø40 x 9.8	1
15	80096-000027	Right Cover Board	1
16	90124-000002	Self Tapping Screw PT4.2 x13	4
17	24329-000003	Block	2
18	16527-000003	Stopper Adjusting Spring	2
19	35643-000005	Engine Switch Dial Knob	2
20	90001-000022	M6 x 16 Hexagon Flange Bolt	1
21	30060-000023	Rectifier	1
22	90208-000003	M6 x 20 Hexagonal Step Bolt	3
23	90129-000001	Self Tapping Screw ST3.2 x 10	1
24	16673-000004	Shield	1
25	35720-000001	CO Alarm	1
26	90124-000005	Self Tapping Screw PT5 x 10	2
27	90722-000022	CO Sensor Plug	1
28	30079-000004	CO Sensor Plate	1
29	37205-000001	Fuel Gauge Fuel Lever View	1
30	90685-000007	Clamp Ø9.5 x 0.8 x 8 (AG)	1

#	Part Number	Description	Qty.
31	90686-000053	Fuel Tube Ø4.5 x Ø8.5 x 220	1
32	90255-000001	M4 x 10 Screw & Washer Assembly	2
33	90685-000013	Clamp Ø8.5 x 0.6 x 8 (AG)	2
34	16750-000021	Fuel Switch Assembly	1
35	90129-000002	Cross Recessed Countersunk Head Tapping Screw ST4.2x16	4
36	35160-000020	Engine Switch Dial	1
37	35680-000025	Panel Seat	1
38	96119-Y35610-0003	Control Panel Assembly - See Figure G	1
39	35643-000015	Engine Switch Dial Knob	1
40	90103-000006	M4 x 16 Cross Recess Pan Head Screw	1
41	82007-000006	Decorative Cover	1
42	96103-Y51100-0010	Engine Mounting Plate Assembly - See Figure E	1
43	30043-000032	Inverter	1
44	30009-000015	Grounding Wire	1
45	90001-000016	M6 x 10 Hexagon Flange Bolt	1
46	50033-000002	Cushion Rubber	1
47	16641-000005	Filling Fuel Hole Rubber Sleeve	1
48	96100-80MI4000-01	80cc Engine	1
49	93130-000002	Spark Plug Wrench	1

ENGINE PARTS DIAGRAM

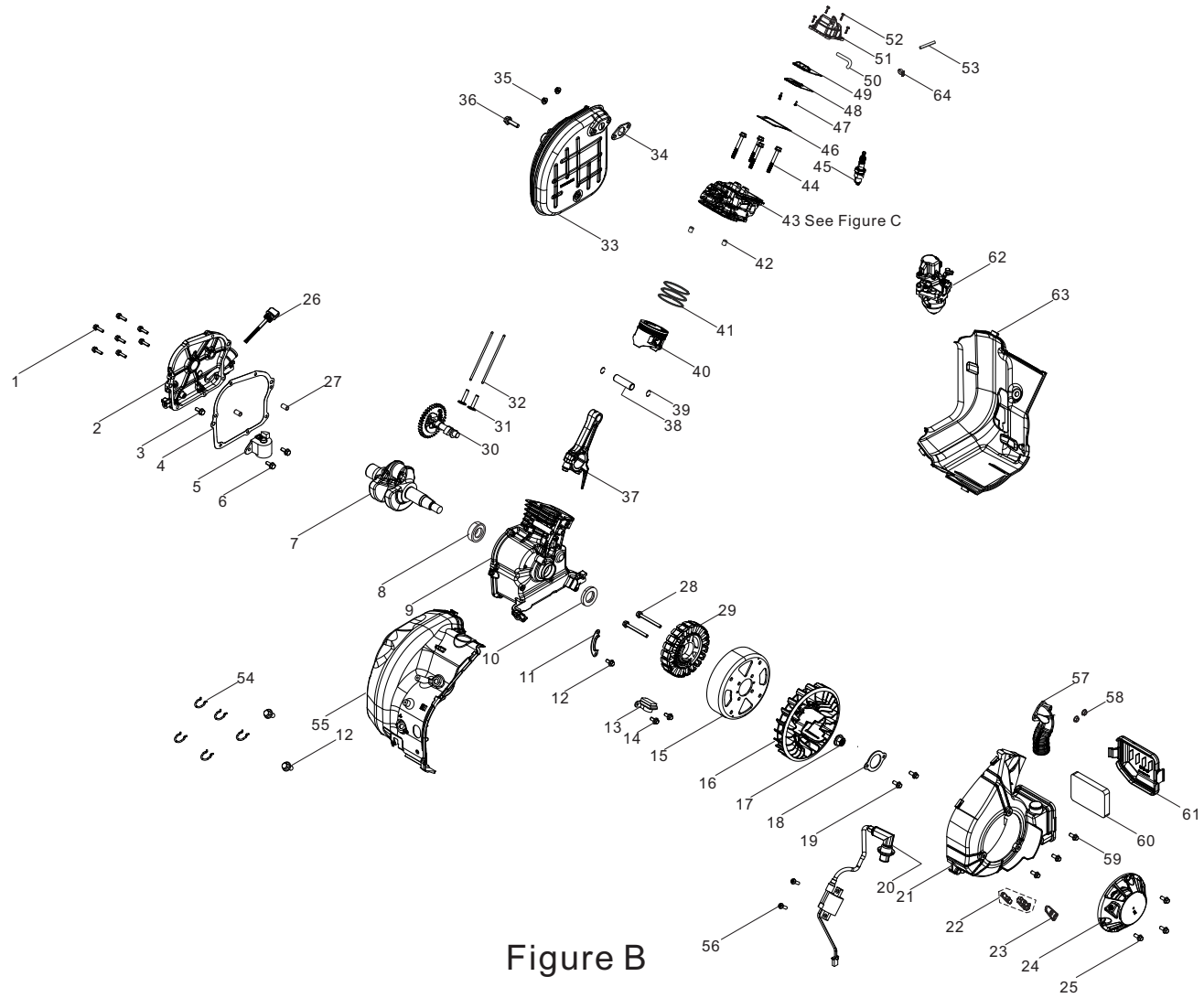


Figure B

ENGINE PARTS LIST

#	Part Number	Description	Qty.
1	90007-000025	M6 x 22 Hexagon Flange Bolt	7
2	11411-000026	Crankcase Cover	1
3	90007-000029	M6 x 10 Hexagon Flange Bolt	1
4	11001-000014	Crankcase Gasket	1
5	37060-000012	Engine oil Sensor (W/O Nut)	1
6	90007-000010	M6 x 14 Hexagon Flange Bolt	2
7	13300-000041	Crankshaft Assembly	1
8	90547-000004	Bearing (6204)	1
9	11310-000032	Crankcase Subassembly	1
10	90682-000019	Oil Seal Ø20 x Ø32 x 6	1
11	30002-000002	Magneto Wiring Clamp	1
12	90001-000018	M6 x 12 Hexagon Flange Bolt	3
13	30130-000010	Trigger	1
14	90007-000004	M5 x 16 Hexagon Flange Bolt	2
15	30110-000015	Rotor Component	1
16	19352-000018	Engine Fan	1
17	13501-000003	M12 x 1.25 Flywheel Nut	1
18	19356-000001	Impeller Gasket	1
19	90001-000020	M6 x 14 Hexagon Flange Bolt	2
20	30400-000040	Ignition Coil	1
21	28110-000041	Shroud	1
22	28210-000002	Starter Rope Handle	1
23	28004-000005	Starter Rope Guide Plate Assembly	1
24	28200-000034	Recoil Starter Assembly	1
25	90007-000011	M6 x 16 Hexagon Flange Bolt	3
26	15010-000027	Oil Dipstick Subassembly	1
27	90502-000002	Pin Ø8 x 12	2
28	90001-000030	M6 x 30 Hexagon Flange Bolt	2
29	30120-000035	Stator Component Ø120 x 21	1
30	14200-000027	Camshaft Assembly	1

#	Part Number	Description	Qty.
31	14081-000006	Valve Tappet	2
32	14070-000009	Valve Lifter	2
33	18100-000047	Muffler Assembly	1
34	18001-000009	Exhaust Outlet Gasket	1
35	90310-000001	M6 Hexagon Flange Lock Nut	2
36	90007-000030	M6 x 60 Hexagon Flange Bolt	1
37	13010-000017	Connecting Rod	1
38	13121-000010	Piston Pin Ø11 x Ø8 x 37	1
39	13122-000007	Piston Pin Clip	2
40	13111-000015	Piston	1
41	13200-000017	Piston Ring Assembly	1
42	90502-000002	Pin Ø8 x 12	2
43	96101-Z120410-0011	Cylinder Head Subassembly - See Figure C	1
44	12003-000008	M6 x 50 Cylinder Head Bolt	4
45	30010-000005	Spark Plug A5RTC	1
46	12004-000015	Cylinder Head Cover Gasket	1
47	90103-000001	M3 x 8 Cross Recess Pan Head Screw	3
48	11332-000004	Breath Groove Cover Gasket	1
49	11320-000005	Breath Piece Assembly	1
50	17004-000023	Breather Tube	1
51	12410-000016	Cylinder Head Cover Subassembly	1
52	90007-000011	M6 x 16 Hexagon Flange Bolt	4
53	30431-000027	Rubber Sleeve Ø14.5 x Ø13 x 60	1
54	90740-000011	Clamp Ø1.6	5
55	19308-000001	Body Left Shield	1
56	90107-000012	Self Tapping Screw ST4.8 x 19	2
57	17110-000004	Air Cleaner Innet Pipe Assembly	1
58	90305-000007	M6 Hexagon Flange Nut	2
59	90001-000024	M6 x 20 Hexagon Flange Bolt	3
60	17151-000015	Air Cleaner Element	1

#	Part Number	Description	Qty.
61	17104-000003	Air Cleaner Case Cover	1
62	96105-Z16100-0007	Carburetor - See Figure D	1
63	19340-000011	Lower Sield	1
64	90685-000008	Clamp Ø10.5	1

CYLINDER HEAD PARTS DIAGRAM

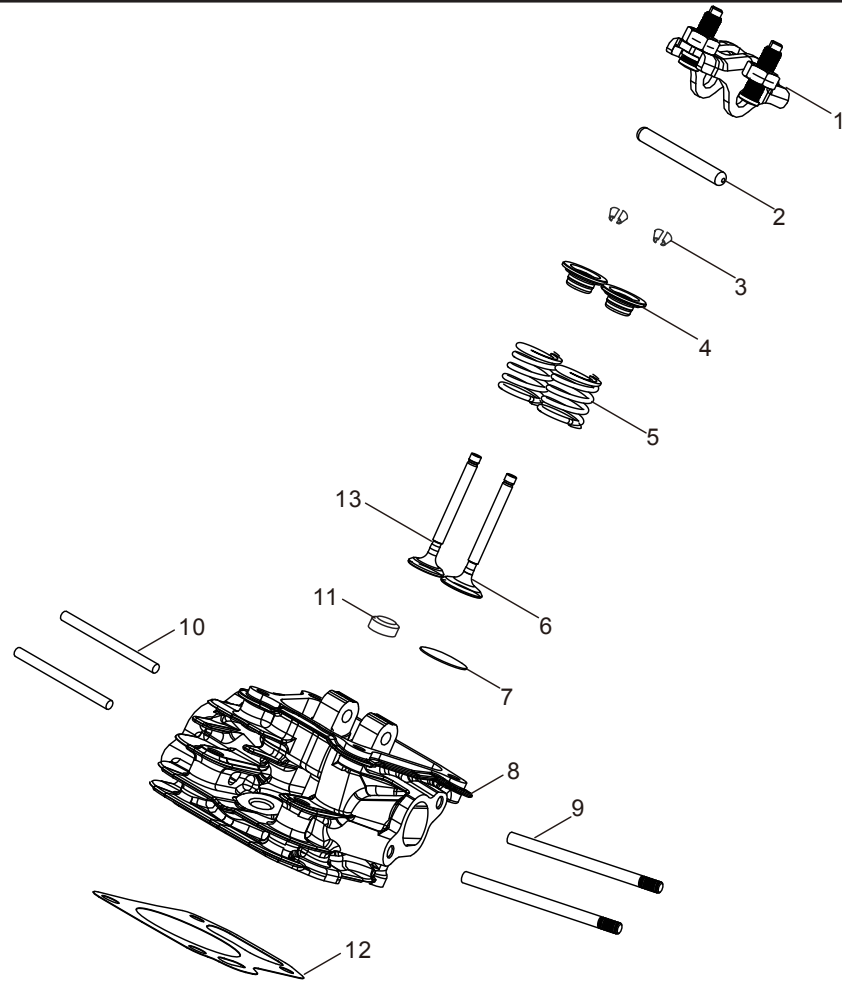


Figure C

CYLINDER HEAD PARTS LIST

#	Part Number	Description	Qty.
1	14310-000011	Valve Rocker Assembly	2
2	14330-000001	Rocker Shaft Assembly	1
3	12109-000004	Valve Lock Clamp	4
4	12112-000008	Valve Spring Retainer	2
5	12103-000003	Valve Spring	2
6	12111-000015	Inlet Valve	1
7	12106-000001	Valve Outer Spring Retainer	1
8	12140-000031	Cylinder Head Subassembly	1
9	90204-000021	M6 x 92 Stud	2
10	90203-000004	M6 x 75 Stud	2
11	12101-000003	Seal Guide	1
12	12131-000018	Cylinder Head Gasket	1
13	12121-000017	Exhaust Valve	1

CARBURETOR PARTS DIAGRAM

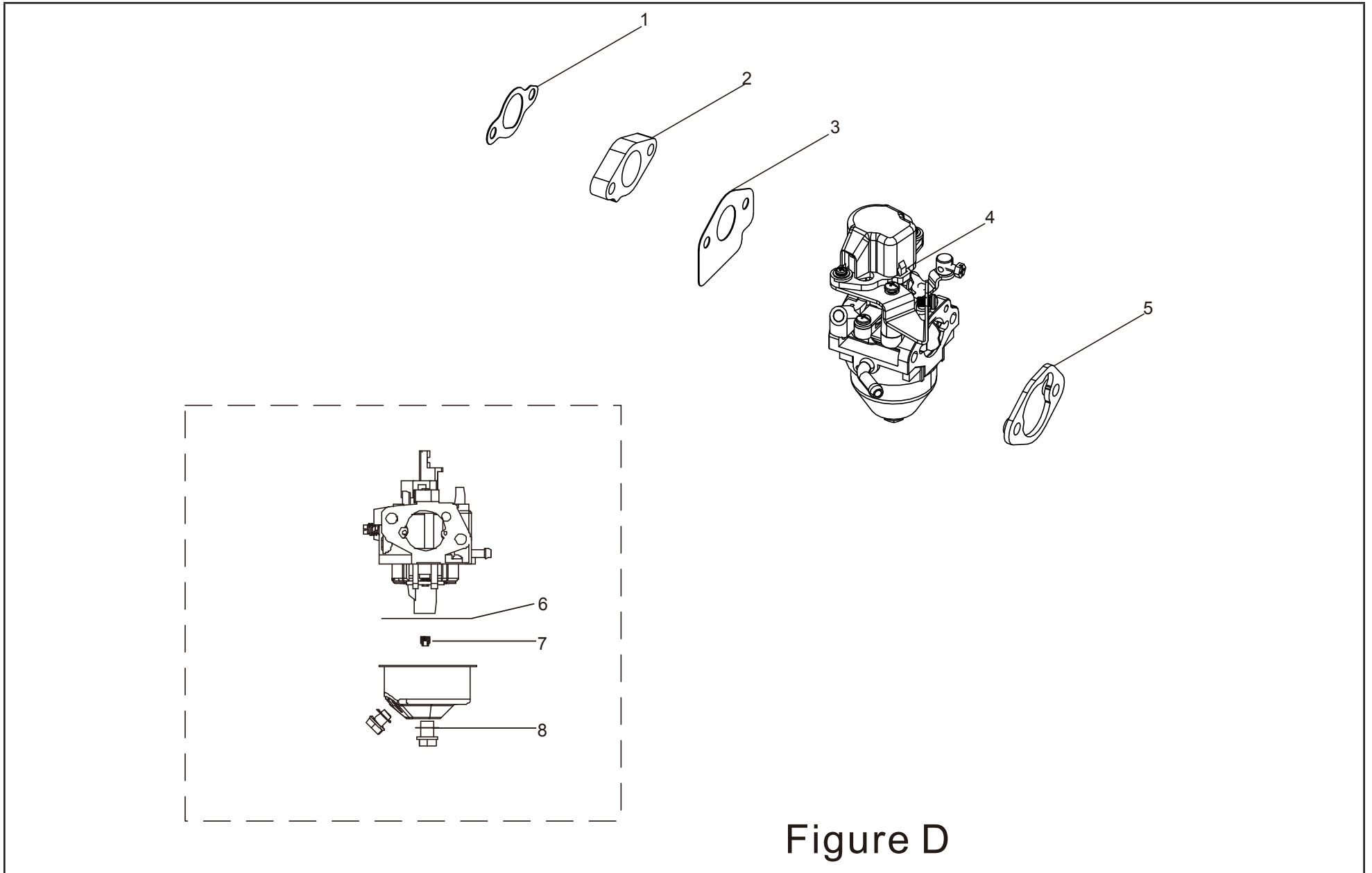


Figure D

CARBURETOR PARTS LIST

#	Part Number	Description	Qty.
1	17002-00008	Inlet Gasket	1
2	16003-000020	Carburetor Insulator Plate	1
3	16001-00008	Carburetor Gasket	1
4	16100-000072	Carburetor Assembly	1
5	17001-000014	Air Cleaner Gasket	1
6	16112-000008	Float Seal Ring	1
7	16161-000085	Standard Main Jet (H189Y-0009-0705)	1
	16161-000084	Altitude 3000-6000 Feet Main Jet (H189Y-0009-068)	/
	16161-000086	Altitude 6000-8000 Feet Main Jet (H189Y-0009-066)	/
8	90681-000003	Seal Ring	1

MOUNTING PLATE PARTS DIAGRAM

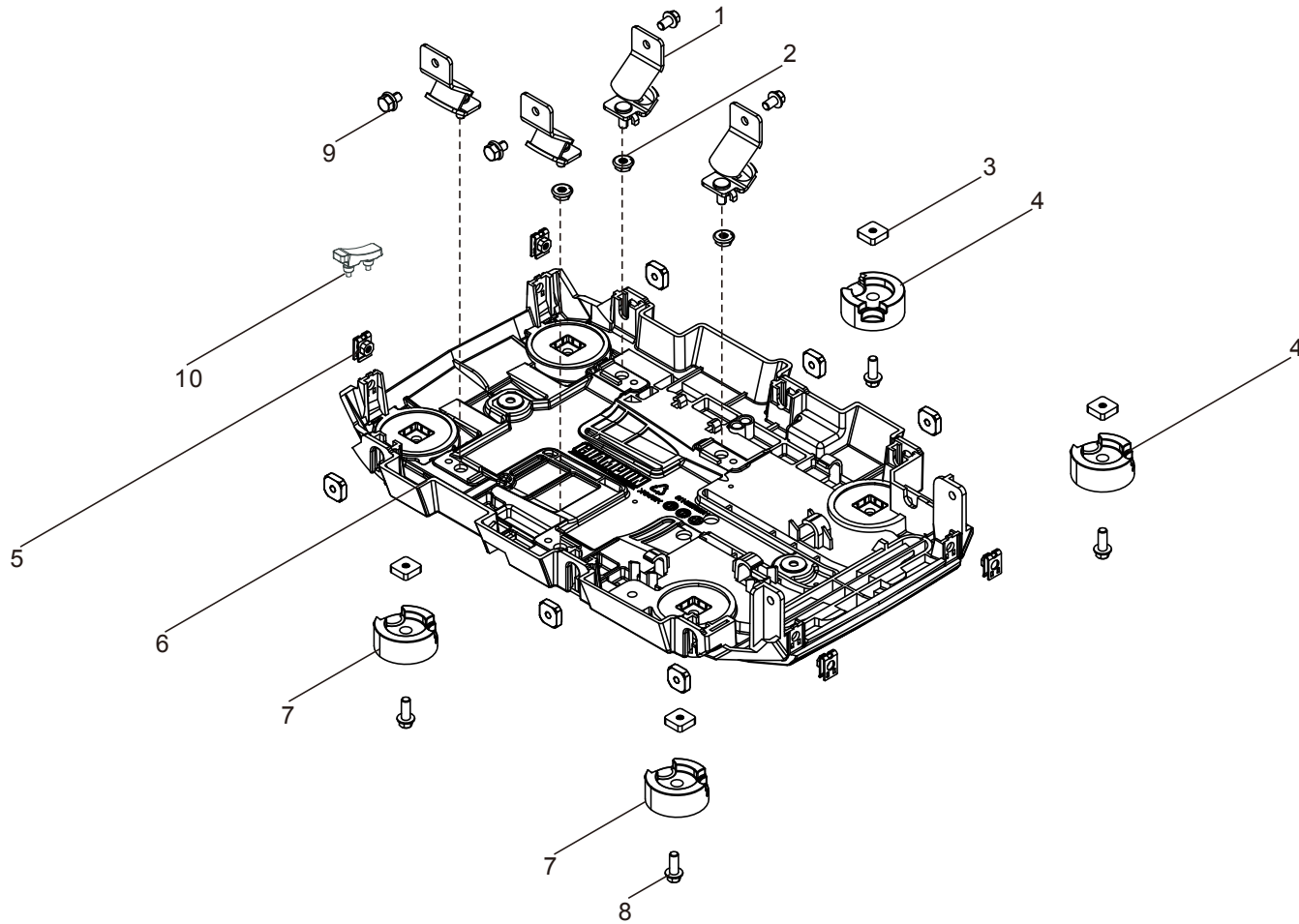


Figure E

MOUNTING PLATE PARTS LIST

#	Part Number	Description	Qty.
1	51005-000012	Frame Vibration Mount	4
2	90305-000007	M6 Hexagon Flange Nut	4
3	90326-000001	M6 Square Nut	10
4	51014-000010	Right Foot Rubber	2
5	17199-000003	M5 Clip Nut	4
6	51143-000007	Bottom Plate	1
7	51014-000009	Left Foot Rubber	2
8	90001-000022	M6 x 16 Hexagon Flange Bolt	4
9	90001-000020	M6 x 14 Hexagon Flange Bolt	4
10	50035-000001	Cushion Rubber Bracket	1

FUEL TANK PARTS DIAGRAM

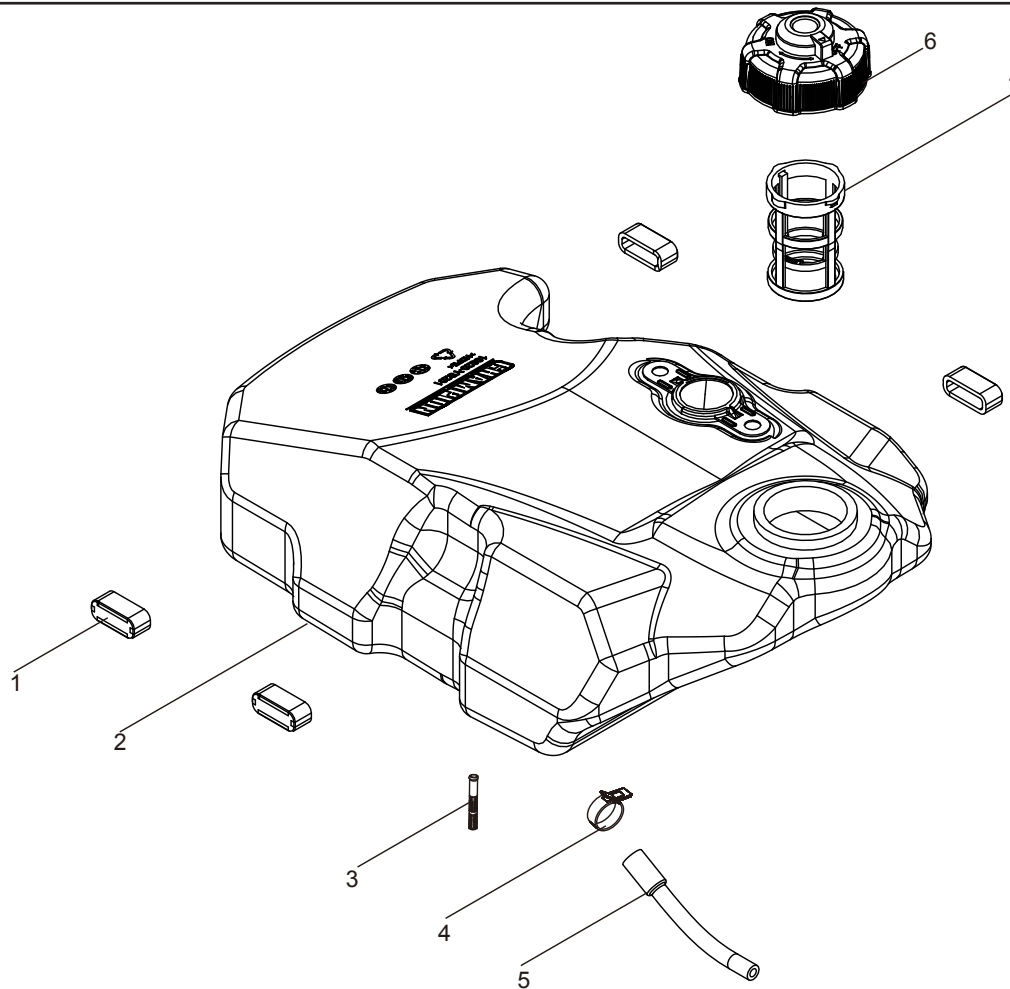


Figure F

FUEL TANK PARTS LIST

#	Part Number	Description	Qty.
1	90683-000004	Bushing	4
2	16620-000053	Fuel Tank	1
3	16514-000001	Fuel Tank Filter Element	1
4	90685-000010	Clamp Ø10.5 x 8 x 0.8	1
5	90686-000054	Fuel Tube Ø4.5 x Ø8.5 x 90	1
6	16730-000012	Fuel Tank Cap	1
7	16652-000018	Fuel Filter	1

CONTROL PANEL PARTS DIAGRAM

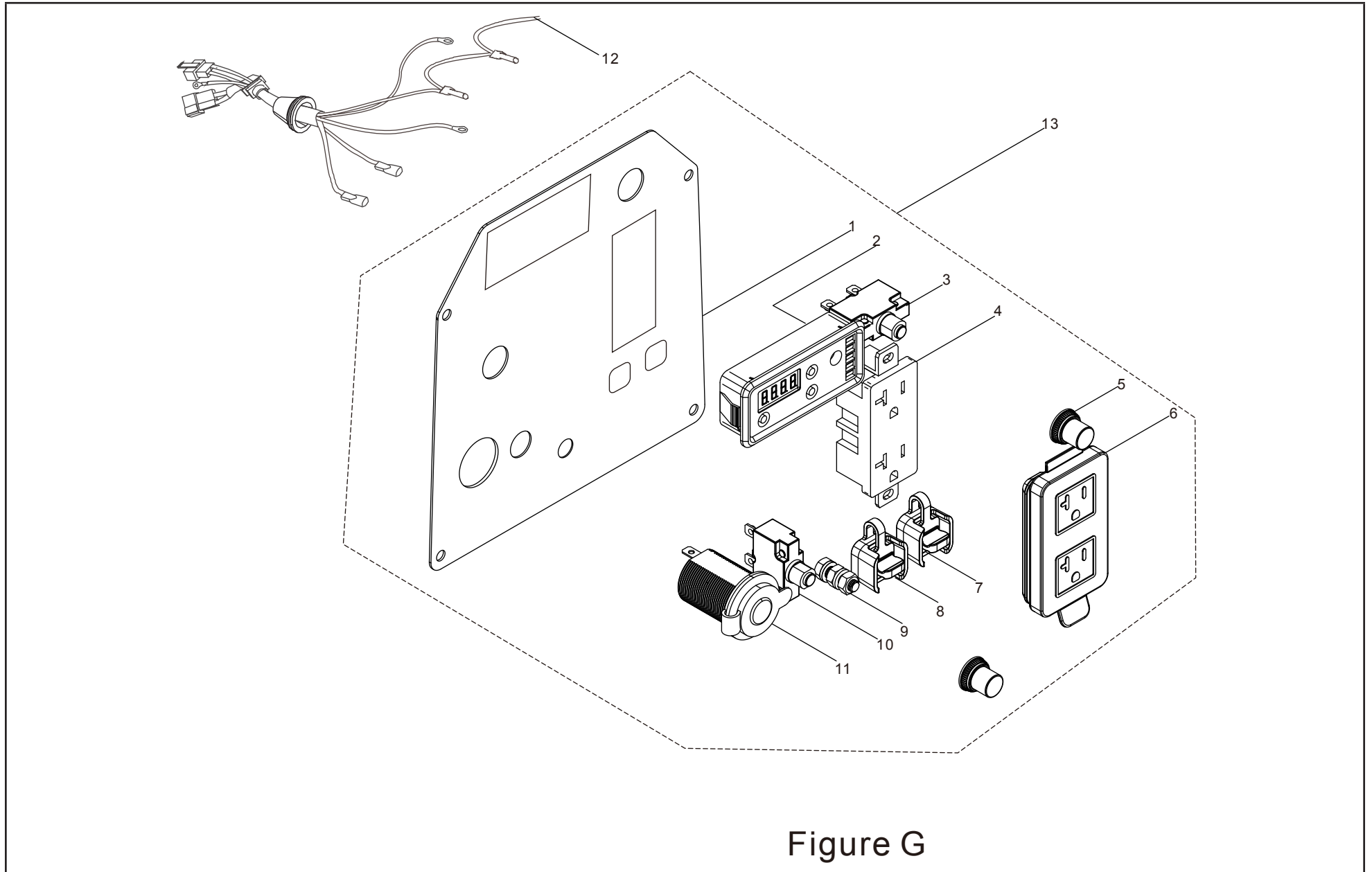


Figure G

CONTROL PANEL PARTS LIST

#	Part Number	Description	Qty.
1	35650-000042	Control Panel	1
2	35632-000020	Intelligauge	1
3	31234-000003	Push Button 20Amp Circuit Breaker 125/250V	1
4	35614-000017	20A/125V Receptacle	1
5	35654-000005	Circuit Breaker Receptacle Cover	2
6	35654-000013	Circuit Breaker Receptacle Cover	1
7	35614-000020	Black Receptacle 50A/1000V	1
8	35614-000019	Red Receptacle 50A/1000V	1
9	35629-000001	Grounding Terminal	1
10	31234-000002	Push Button 8Amp Circuit Breaker 125/250V	1
11	35619-000003	12V DC Automotive Receptacle	1
12	35660-000049	Control Panel Wire Harness	1
13	35610-000156	Control Panel Assembly	1

WIRING DIAGRAM

