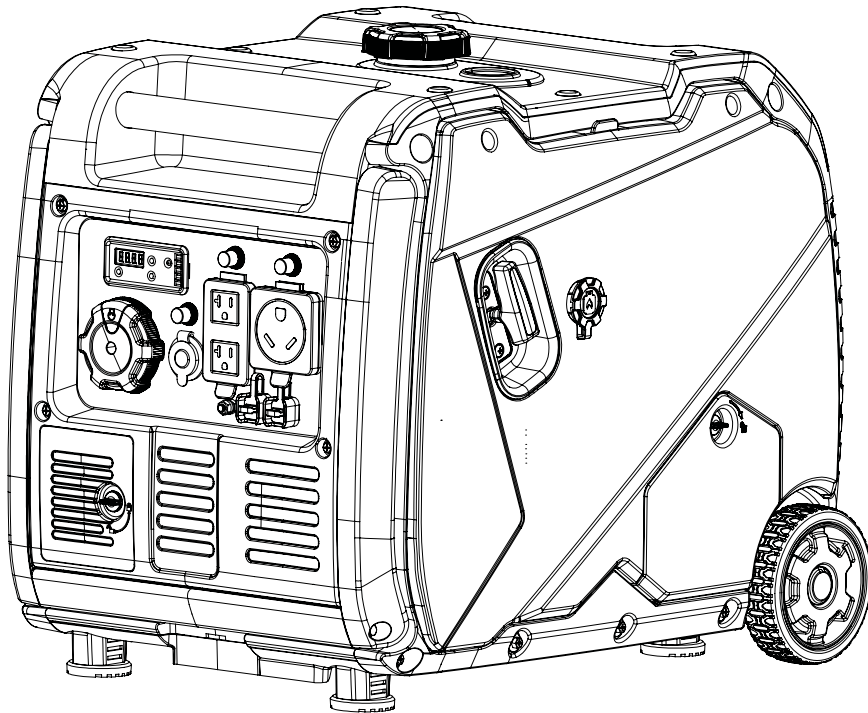


Champion Power Equipment, Inc.

MODEL #201319



PARTS INFORMATION

4500W DUAL FUEL ELECTRIC START INVERTER GENERATOR

SERIAL NUMBER RANGE: ALL



To order replacement parts please visit:
shop.championpowerequipment.com
or call **1-877-338-0999**.

TABLE OF CONTENTS

Inverter Generator Parts Diagram	3
Inverter Generator Parts List	4
Engine Parts Diagram	6
Engine Parts List	7
Cylinder Head Parts Diagram	9
Cylinder Head Parts List	10
Carburetor Parts Diagram	11
Carburetor Parts List	12
Frame Parts Diagram	13
Frame Parts List	14
Fuel Tank Parts Diagram	15
Fuel Tank Parts List	16
Control Panel Parts Diagram	17
Control Panel Parts List	18
Wheel Kit Parts Diagram	19
Wheel Kit Parts List	20
Wiring Diagram	21

INVERTER GENERATOR PARTS DIAGRAM

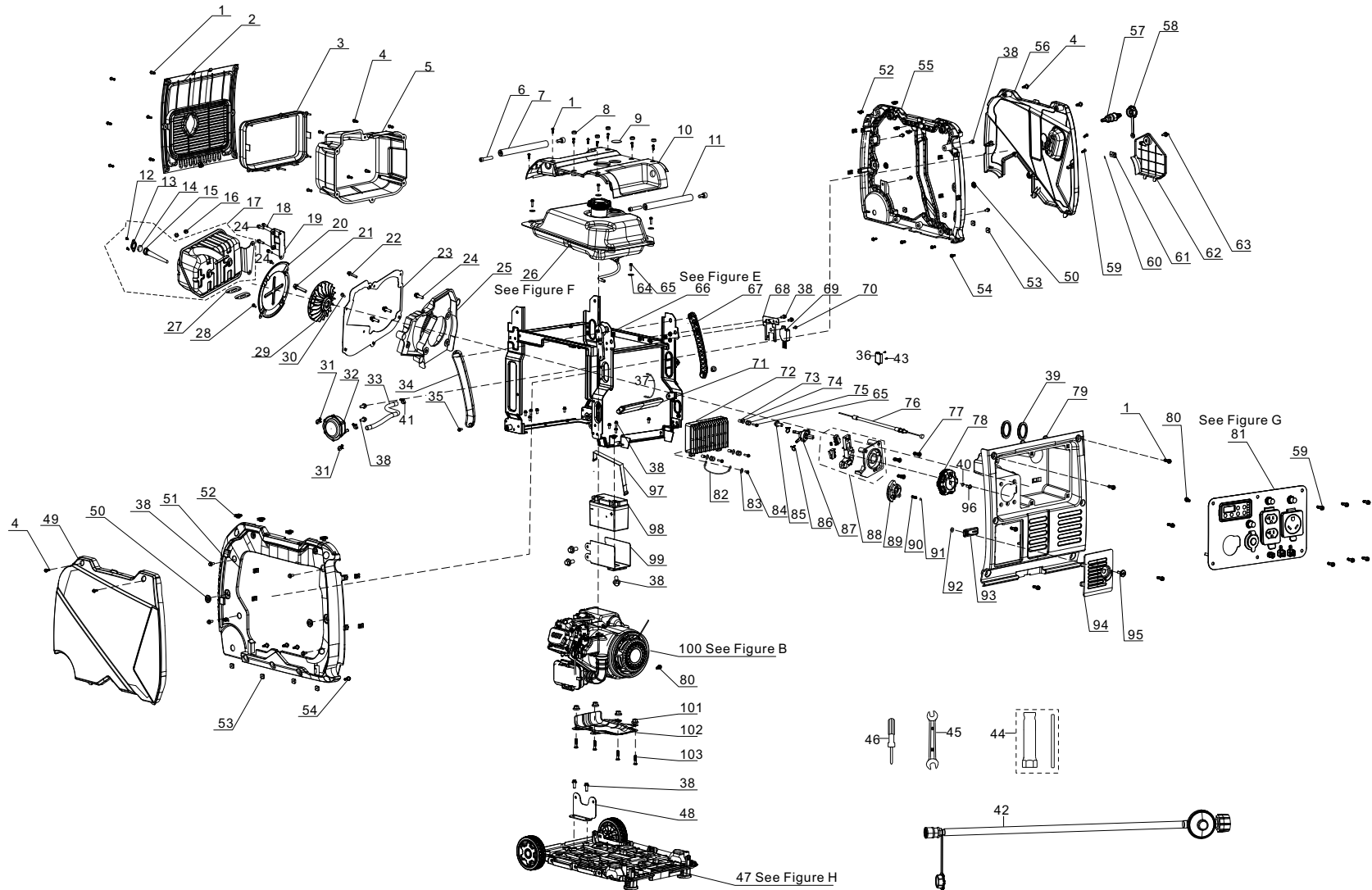


Figure A

INVERTER GENERATOR PARTS LIST

#	Part Number	Description	Qty.
1	90208-000005	M5 x 16 Hexagon Step Bolt (6.5mm)	20
2	18002-000001	Muffler Louver	1
3	18018-000001	Muffler Insulator Glue Cushion	1
4	90208-000004	M5 x 12 Hexagon Step Bolt	10
5	18130-000001	Muffler Guard	1
6	90115-000001	M8 x 30 Hexagon Socket Bolt	4
7	80153-000002	Handle 2 - Ø28 x 332	1
8	90722-000005	End Plug 1	6
9	37205-000001	Fuel Gauge	1
10	94230-000001	Upper Cover	1
11	80153-000001	Handle 1 - Ø28 x 273	1
12	18012-000003	M5 x 10 Spark Arrestor Bolt	2
13	18213-000002	Spark Arrestor Cover Plate	1
14	18218-000002	Muffling Block	1
15	18250-000012	Spark Arrestor	1
16	90303-000005	M8 Hexagon Nut	2
17	18100-000009	Muffler Assembly	1
18	90007-000007	M6 x 12 Hexagon Flange Bolt	2
19	18030-000001	Muffler Bracket	1
20	18020-000001	Muffler Insulator Plate	1
21	90001-000042	M8 x 20 Hexagon Flange Bolt	1
22	90007-000018	M6 x 35 Hexagon Flange Bolt	1
23	18299-000001	Muffler Guard Bracket	1
24	90001-000040	M8 x 16 Hexagon Flange Bolt	5
25	28110-000001	Shroud	1
26	96003-Y16620-0012	Fuel Tank Assembly - See Figure F	1
27	18001-000011	Exhaust Outlet Gasket	2
28	90134-000001	M5 x 12 Cross Hexagon Pan Head Bolt	2
29	19352-000001	Cooling Fan	1
30	90124-000002	PT4x13 Tapping Screw	1

#	Part Number	Description	Qty.
31	90748-000001	Clamp	2
32	77100-000005	Auxiliary Regulator	1
33	90729-000008	Vent Hose - Ø9.5 x Ø16.8 x 330	1
34	54912-000002	Left Rotating Arm	1
35	90001-000019	M6 x 12 Hexagon Flange Bolt	2
36	35720-000003	Co Alarm	1
37	30009-000007	Grounding Wire 1	1
38	90001-000018	M6 x 12 Hexagon Flange Bolt	26
39	30431-000015	Rubber Sleeve - Ø30 x Ø40 x 9.8	2
40	90408-000001	Flat Washer	1
41	90748-000002	Clamp	2
42	77300-000001	LPG Hose With Regulator	1
43	90103-000013	M5 x 16 Self Screw	2
44	93130-000005	Spark Plug Socket	1
45	93107-000004	Wrench 8 x 10	1
46	93120-000001	Screwdriver	1
47	96103-Y51100-0016	wheel kit - See Figure H	1
48	17003-000001	Air Cleaner Support	1
49	80092-000018	Left Cover Board	1
50	16601-000005	Fuel Tank Vibration Mount 2	4
51	80091-000001	Left Shell	1
52	17199-000003	M5 Clip Nut	16
53	90326-000001	M6 Square Nut	8
54	90208-000003	M6 x 20 Hexagonal Step Bolt	8
55	80095-000002	Right Shell	1
56	80096-000017	Right Cover Board	1
57	16021-000002	Inlet Connection	1
58	90722-000015	Gas Plug	1
59	90255-000003	M5 x 12 Screw & Washer Assembly	8
60	37073-000001	Spring Clip	1

#	Part Number	Description	Qty.
61	24329-000001	Block 1	1
62	51197-000003	Service Side Access Panel	1
63	80105-000001	Side Access Panel Service Knob	1
64	90408-000010	Flat Washer	4
65	90001-000026	M6 x 25 Hexagon Flange Bolt	7
66	96003-Y51100-0009	Frame Assembly - See Figure E	1
67	54912-000003	Right Rotating Arm	1
68	51124-000011	Mounting Bracket	1
69	30060-000013	Rectifier	1
70	90001-000023	M6 x 16 Hexagon Flange Bolt	1
71	54913-000002	Rotating Bar	1
72	30043-000025	Inverter	1
73	90683-000003	Bushing	3
74	90406-000002	M6 Flat Washer	3
75	30431-000003	Rubber Sleeve	3
76	16080-000005	Choke Handle Subassembly	1
77	90129-000002	Self Tapping Screw 4.2x16	3
78	35643-000002	Engine Switch Dial Knob	1
79	35680-000003	Control Panel Housing	1
80	90001-000016	M6 x 10 Hexagon Flange Bolt	2
81	35610-000117	Panel Assembly - See Figure G	1
82	30009-000011	Grounding Wire	1
83	90408-000003	M5 Flat Washer	1
84	90005-000001	M4 x 8 Hexagon Bolt	1
85	90001-000020	M6 x 14 Hexagon Flange Bolt	1
86	90685-000012	Clamp Ø8 x 7 x 0.6	2
87	16750-000005	Fuel Valve Assembly	1
88	35160-000008	Engine Switch	1
89	94111-000001	Cover Board	1
90	16527-000001	Stopper Adjusting Spring	1
91	90543-000001	Steel Ball	1
92	90341-000002	M5 Nylon Nut	1

#	Part Number	Description	Qty.
93	24329-000002	Block 2	1
94	31123-000001	Battery Cover	1
95	90208-000002	Hexagonal Step Bolt, M5 x 16, 6mm	1
96	90103-000006	M4 x 16 Self Screw	1
97	31115-000003	Battery Clamp	1
98	31110-000001	Battery	1
99	31130-000001	Battery Holder	1
100	96100-210DNV10-05	Engine, 212cc - See Figure B	1
101	90305-000010	M8 Hexagon Flange Nut	4
102	19306-000002	Crankcase Air Deflector	1
103	90001-000050	M8 x 40 Hexagon Flange Bolt	4

ENGINE PARTS DIAGRAM

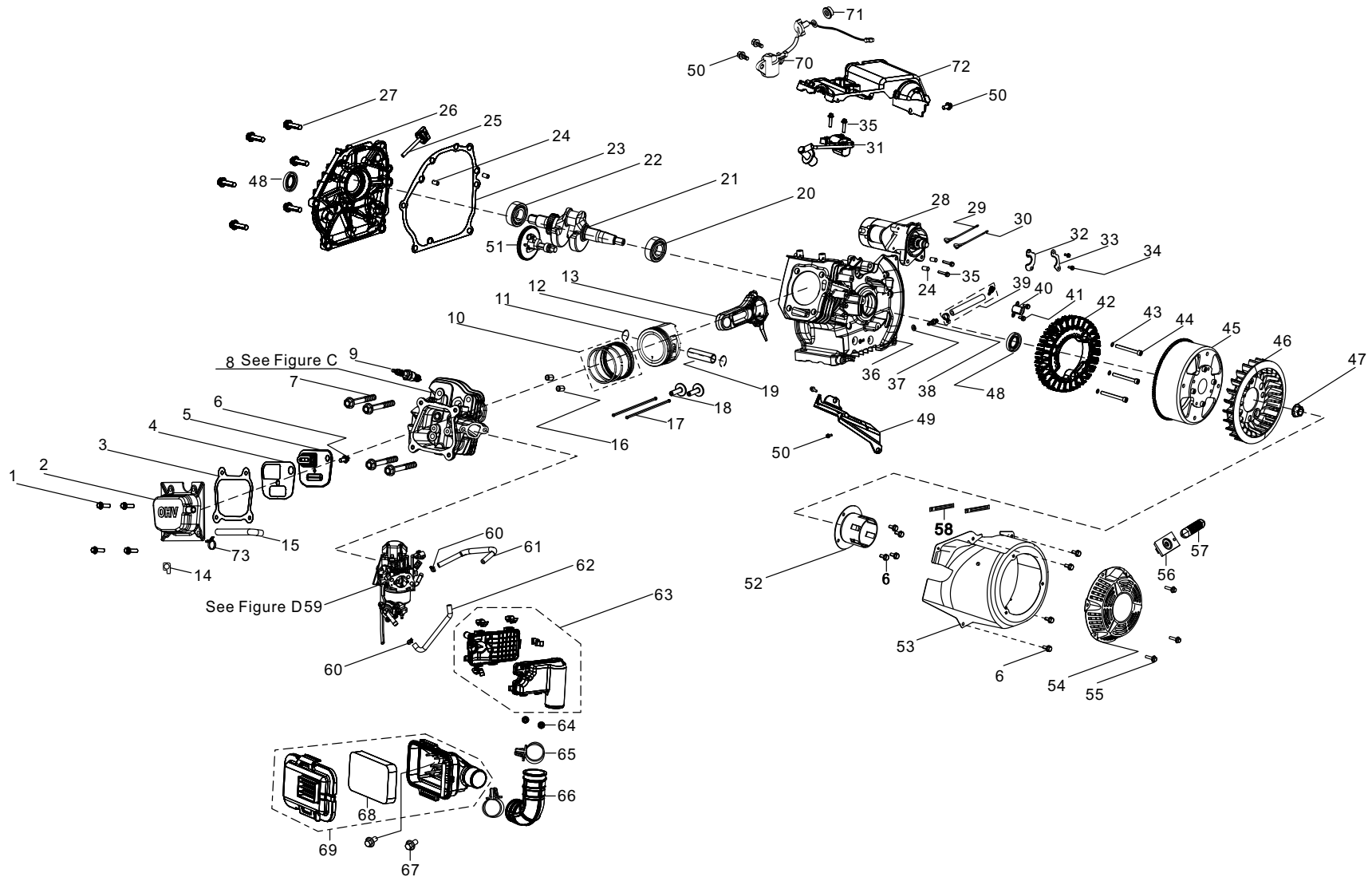


Figure B

ENGINE PARTS LIST

#	Part Number	Description	Qty.
1	90001-000024	M6 x 20 Hexagon Flange Bolt	4
2	12410-000006	Cylinder Head Cover Subassembly	1
3	12004-000010	Cylinder Head Cover Gasket	1
4	11332-000001	Gasket, Breath Groove Cover	1
5	11320-000002	Breath Piece	1
6	90001-000018	M6 x 12 Hexagon Flange Bolt	9
7	12003-000001	M8 x 60 Cylinder Head Bolt	4
8	96101-Z120410-0016	Cylinder Head	1
9	30010-000001	Spark Plug F6RTC	1
10	13200-000004	Piston Ring Assembly	1
11	13122-000001	Piston Pin Clip	2
12	13111-000019	Piston	1
13	13010-000015	Connecting Rod	1
14	90804-000001	Stop Block	1
15	17004-000014	Breather Tube	1
16	90502-000007	Pin Ø11 x 14	2
17	14071-000005	Valve Lifter	2
18	14081-000002	Valve Tappet	2
19	13121-000001	Piston Pin - Ø18 x Ø14 x 54	1
20	90547-000016	Bearing(6305)	1
21	13300-000012	Crankshaft Assembly	1
22	90547-000006	Bearing(6205)	1
23	11001-000001	Crankcase Gasket	1
24	90502-000002	Pin Ø8 x 12	4
25	15010-000002	Oil Dipstick Subassembly	1
26	11411-000006	Crankcase Cover	1
27	90001-000047	M8 x 32 Hexagon Flange Bolt	6
28	30300-000002	Starting Motor Assembly	1
29	31112-000009	DC Wire Harness(Battery)	1
30	31114-000009	DC Wire Harness(Engine)	1

#	Part Number	Description	Qty.
31	30400-000012	Ignition Coil	1
32	54066-000004	Wiring Clamp	1
33	30002-000001	Magneto Wiring Clamp	1
34	90001-000008	M5 x 20 Hexagon Flange Bolt	2
35	90001-000028	M6 x 28 Hexagon Flange Bolt	4
36	11310-000007	Crankcase Subassembly	1
37	90408-000021	Flat Washer Ø10 x Ø15.8 x 1.5	1
38	90689-000003	Fuel Tube Joint	1
39	11011-000001	Oil Drain Hose	1
40	30130-000004	Trigger	1
41	90001-000007	M5 x 16 Hexagon Flange Bolt	2
42	30120-000018	Stator Component Ø152 x 38	1
43	90408-000005	M6 Washer	3
44	90102-000003	M6 x 60 Hexagon Socket Cap Screw	3
45	30110-000011	Rotor Component	1
46	19352-000016	Engine Cooling Fan	1
47	13501-000001	M14 x 1.5 Flywheel Nut	1
48	90682-000002	Oil Seal Ø25 x Ø41.25 x 6	2
49	19309-000001	Crankcase Right Shield	1
50	90001-000022	M6 x 16 Hexagon Flange Bolt	5
51	14200-000008	Camshaft Assembly	1
52	28002-000009	Starter Pulley	1
53	28110-000014	Shroud	1
54	28200-000013	Recoil Starter Assembly	1
55	90251-000001	Bolts and Washer Assembly	3
56	28004-000005	Starter Rope Guide Plate	1
57	28210-000002	Starter Rope Handle	1
58	90684-000003	Clip 100 mm	2
59	96003-Z16100-0028	Carburetor Assembly	1
60	90748-000001	Clamp Ø8x12	2

#	Part Number	Description	Qty.
61	90729-000002	Hose Ø6.3 x Ø13 x 260	1
62	90729-000003	Hose Ø6.3 x Ø13 x 210	1
63	17400-000002	Auxiliary Air Cleaner	1
64	90305-000007	M6 Hexagon Flange Nut	2
65	12081-000001	Clamp 1	2
66	12510-000001	Inlet Pipe	1
67	90001-000026	M6 x 25 Hexagon Flange Bolt	2
68	17151-000005	Air Cleaner Element	1
69	17100-000017	Air Cleaner	1
70	37060-000009	Engine oil Sensor W/O Nut	1
71	90305-000014	M10 Hexagon Flange Nut	1
72	16675-000001	Shield	1
73	90685-000015	Clamp Ø14 x 1	1

CYLINDER HEAD PARTS DIAGRAM

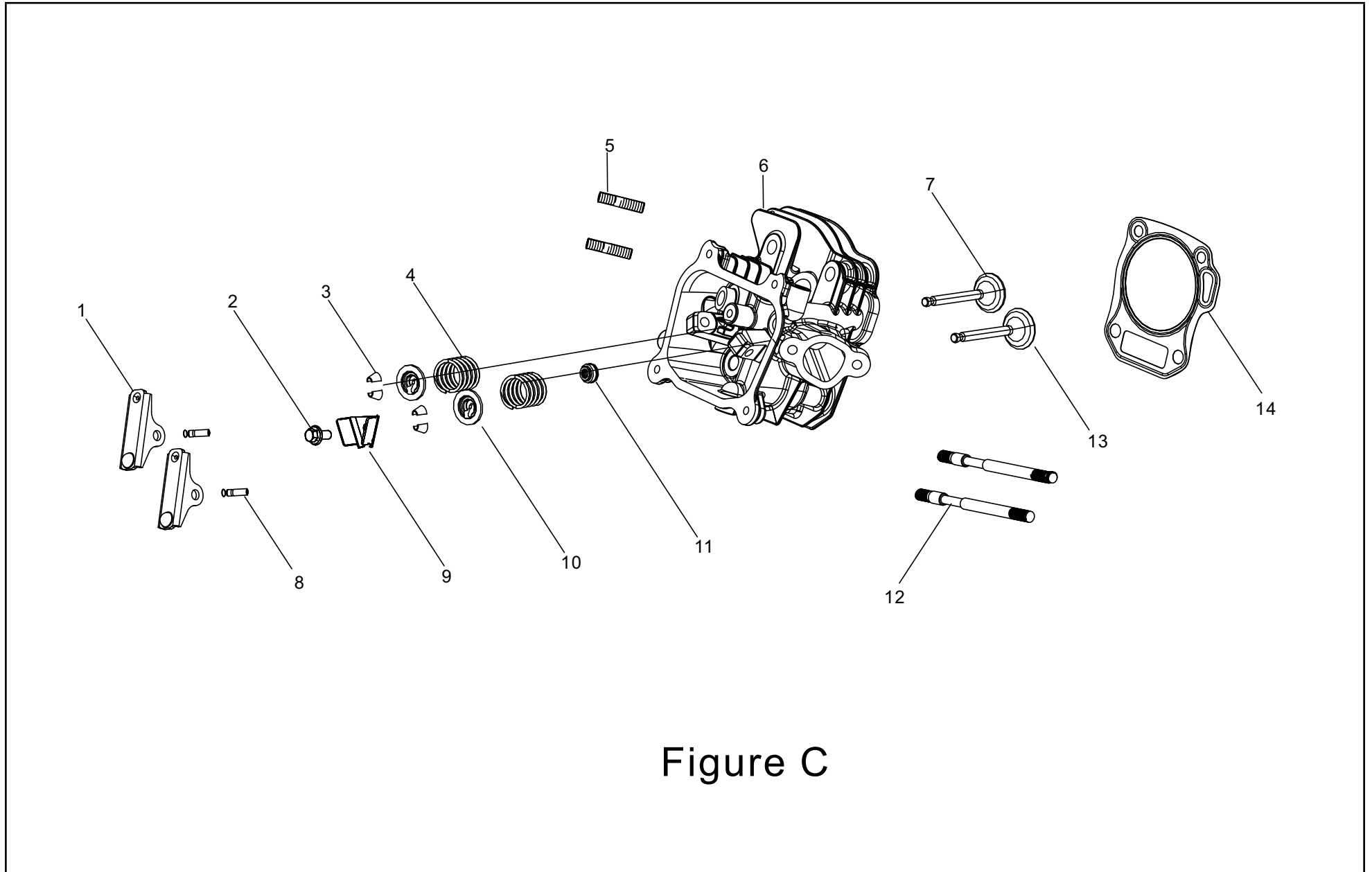


Figure C

CYLINDER HEAD PARTS LIST

#	Part Number	Description	Qty.
1	14310-00008	Valve Rocker Subassembly	2
2	90001-000018	M6 x 12 Hexagon Flange Bolt	1
3	12109-000004	Valve Lock Clamp	4
4	12103-000010	Valve Spring Ø18.3 x 2	2
5	90203-000001	M8 x 34 Stud	2
6	12140-000023	Cylinder Head Subassembly	1
7	12121-000015	Exhaust Valve	1
8	14318-000007	Valve Rocker Shaft Subassembly	2
9	12419-000002	Cylinder Head Cover Pin Plate	1
10	12112-000008	Valve Spring Retainer	2
11	12101-000006	Seal Guide	1
12	90207-000002	M6 x 105 Stud	2
13	12111-000012	Inlet Valve	1
14	12131-000015	Cylinder Head Gasket	1

CARBURETOR PARTS DIAGRAM

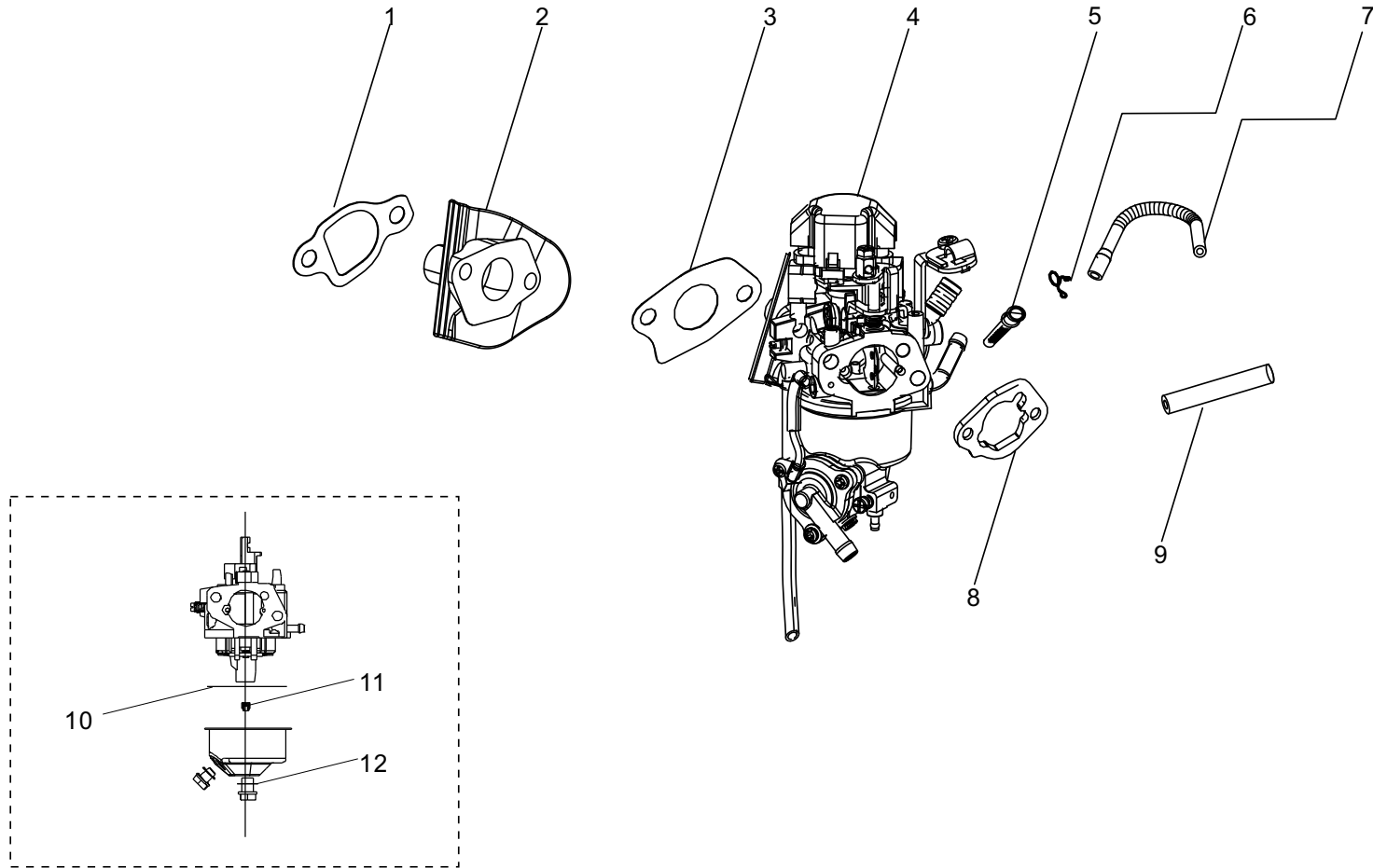


Figure D

CARBURETOR PARTS LIST

#	Part Number	Description	Qty.
1	16002-000006	Carburetor Insulator Gasket	1
2	16003-000007	Carburetor Insulator Plate	1
3	16001-000001	Carburetor Gasket	1
4	16100-000036	Carburetor Assembly	1
5	16652-000016	Fuel Filter	1
6	90685-000002	Clamp Ø9 x Ø0.8 x 8	1
7	90686-000008	Fuel Tube Ø4.5 x Ø8.5 x 260	1
8	17001-000007	Air Cleaner Gasket	1
9	30431-000010	Rubber Sleeve Ø10 x Ø11 x 180	1
10	16112-000001	Float Seal Ring	1
11	16161-000034	Main Jet(83#)	1
	16161-000033	Main Jet(81#) - Altitude 3000-6000 Feet	/
	16161-000031	Main Jet(79#) - Altitude 6000-8000 Feet	/
12	90681-000005	Seal Ring	1

FRAME PARTS DIAGRAM

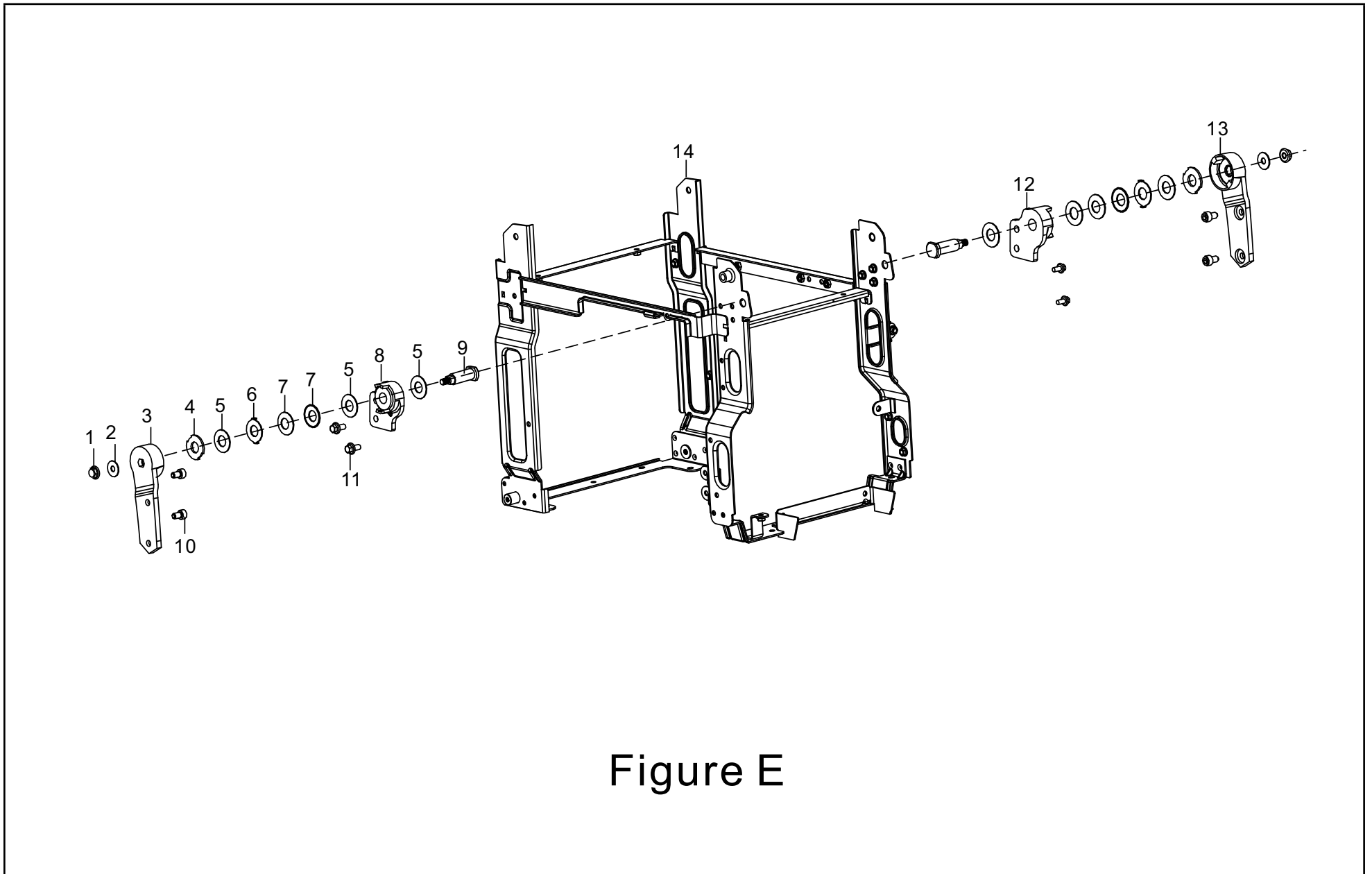


Figure E

FRAME PARTS LIST

#	Part Number	Description	Qty.
1	90341-000001	M6 Nylon Nut	2
2	90408-000015	Flat Washer Ø18 x 6.5 x 1.5	2
3	54122-000001	Handle Tube Connecting Left Seat 2	1
4	90412-000001	Flat Washer Ø12.2 x 27 x 2	2
5	90412-000002	Flat Washer Ø13 x 25 x 1	6
6	42017-000001	Lock Washer	2
7	90419-000002	Butterfly Washer	4
8	54113-000005	Handle Tube Connecting Left Seat 1	1
9	26231-000001	Fixed Axis Shaft	2
10	90001-000017	M6 x 10 Hexagon Flange Bolt	4
11	90007-000011	M6 x 16 Hexagon Flange Bolt	4
12	54113-000006	Handle Tube Connecting Right Seat 1	1
13	54122-000002	Handle Tube Connecting Right Seat 2	1
14	51100-000040	Frame Assembly	1

FUEL TANK PARTS DIAGRAM

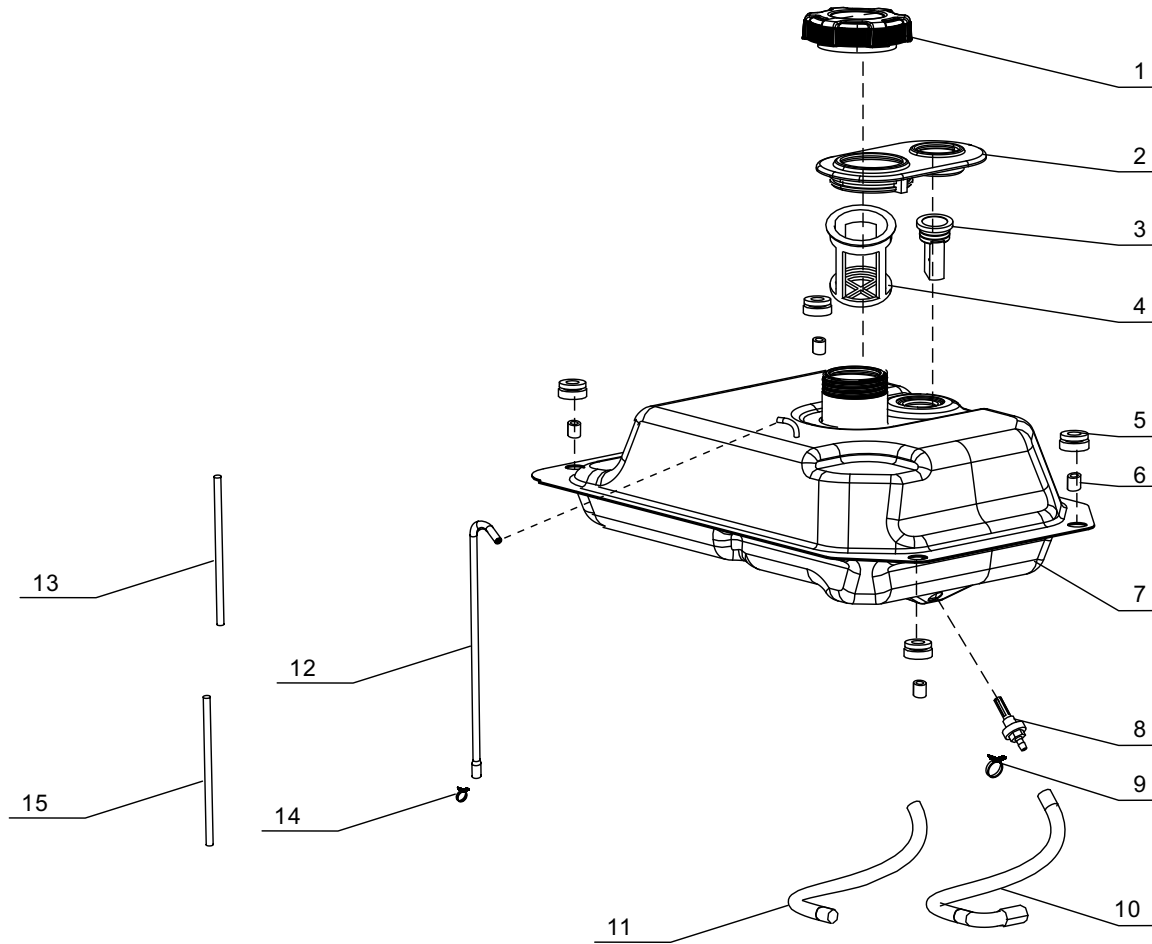


Figure F

FUEL TANK PARTS LIST

#	Part Number	Description	Qty.
1	16730-000011	Fuel Tank Cap	1
2	16641-000002	Filling Fuel Hole Rubber Sleeve	1
3	37200-000006	Fuel Gauge	1
4	16652-000004	Fuel Filter	1
5	16601-000001	Fuel Tank Vibration Mount 1	4
6	90683-000001	Bushing	4
7	16620-000005	Fuel Tank 8.5L	1
8	16680-000001	Fuel Tank Fuel Outlet Subassembly	1
9	90685-000007	Clamp Ø9.5 x 0.8 x 8	1
10	90686-000007	Carburetor Tube Ø4.5 x Ø8.5 x 155	1
11	30431-000001	Fuel Tube Rubber Sleeve Ø9 x Ø11 x 60	1
12	16804-000014	Air Cleaner Tube Ø4.5 x Ø8.5 x 375	1
13	30431-000010	Fuel Tube Rubber Sleeve Ø10 x Ø11 x 180	1
14	90685-000010	Clamp Ø10.5 x 0.8 x 8	1
15	30431-000029	Fuel Tube Rubber Sleeve Ø11.5 x Ø13 x 100	1

CONTROL PANEL PARTS DIAGRAM

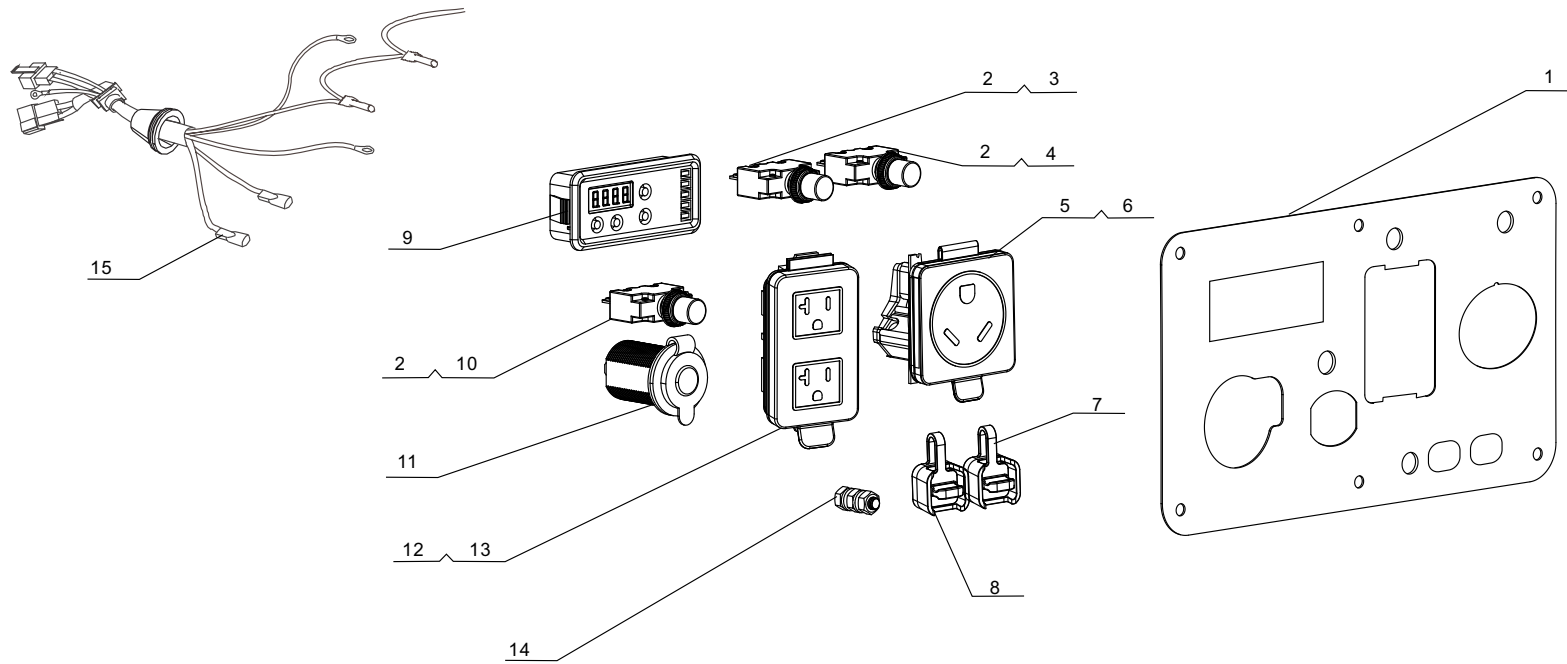


Figure G

CONTROL PANEL PARTS LIST

#	Part Number	Description	Qty.
1	35650-000028	Control Panel	1
2	35654-000005	Push Button Cover	3
3	31234-000003	Push Button 20Amp Circuit Breaker	1
4	31234-000007	Push Button 30Amp Circuit Breaker	1
5	35654-000011	TT-30R Receptacle Cover	1
6	35614-000007	30A TT-30R Receptacle 125V	1
7	35614-000020	40A Wireless Parallel Black Cover Receptacle 250V	1
8	35614-000019	40A Wireless Parallel Red Cover Receptacle 250V	1
9	35632-000013	Intelligence (INT5CINV)	1
10	31234-000002	8 Amp Push Button Circuit Breaker	1
11	35619-000001	12V DC Automotive Receptacle	1
12	35654-000013	5-20R Receptacle Cover	1
13	35614-000017	20Av 5-20R Receptacle (125V)	1
14	35629-000001	Grounding Terminal	1
15	35660-000053	Control Panel Wire Harness	1

WHEEL KIT PARTS DIAGRAM

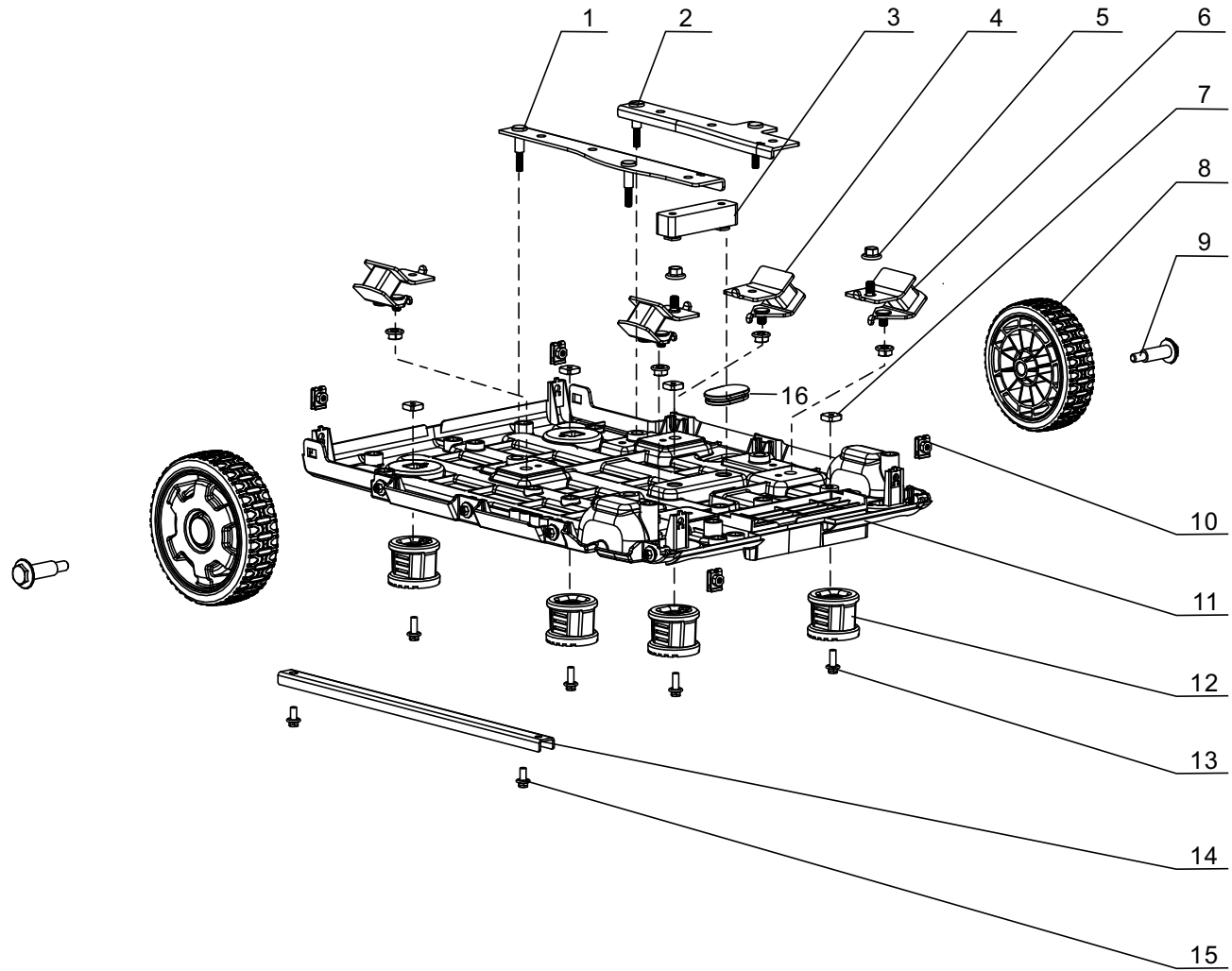


Figure H

WHEEL KIT PARTS LIST

#	Part Number	Description	Qty.
1	51188-000001	Left Engine Support	1
2	51189-000001	Right Engine Support	1
3	50035-000003	Cushion Rubber Bracket	1
4	51011-000003	Right Frame Vibration Mount	2
5	90305-000010	M8 Hexagon Flange Nut	6
6	51009-000001	Left Frame Vibration Mount	2
7	90326-000001	M6 Square Nut	4
8	44110-000001	Yellow 5in. Wheel	2
9	42002-000002	Roll Pin	2
10	17199-000003	M5 Clip Nut	4
11	51143-000001	Bottom Plate	1
12	51014-000007	Foot, Rubber	4
13	90001-000022	M6 x 16 Hexagon Flange Bolt	4
14	51103-000002	Reinforcing Plate	1
15	90001-000018	M6 x 12 Hexagon Flange Bolt	2
16	90722-000002	End Plug	1

WIRING DIAGRAM

