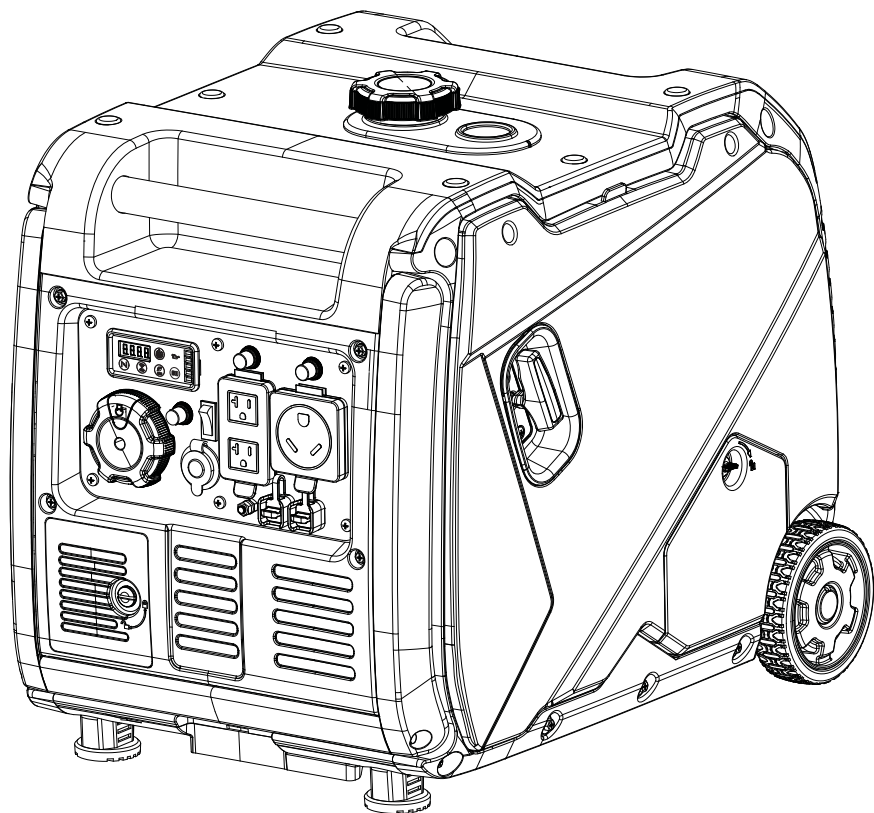




MODEL #BD201326



PARTS INFORMATION

4650W WIRELESS REMOTE START INVERTER GENERATOR

SERIAL NUMBER RANGE: ALL

An icon depicting a person wearing a headset and holding a wrench, with an arrow pointing to a box, symbolizing customer support or parts ordering.

To order replacement parts please call:
1-888-376-7375.

TABLE OF CONTENTS

Generator Parts Diagram	3
Generator Parts List	4
Engine Parts Diagram	6
Engine Parts List	7
Cylinder Head Parts Diagram	9
Cylinder Head Parts List	10
Carburetor Parts Diagram	11
Carburetor Parts List	12
Frame Assembly Parts Diagram	13
Frame Assembly Parts List	14
Fuel Tank Parts Diagram	15
Fuel Tank Parts List	16
Control Panel Parts Diagram	17
Control Panel Parts List	18
Wheel Kit Parts Diagram	19
Wheel Kit Parts List	20
Wiring Diagram	21

GENERATOR PARTS DIAGRAM

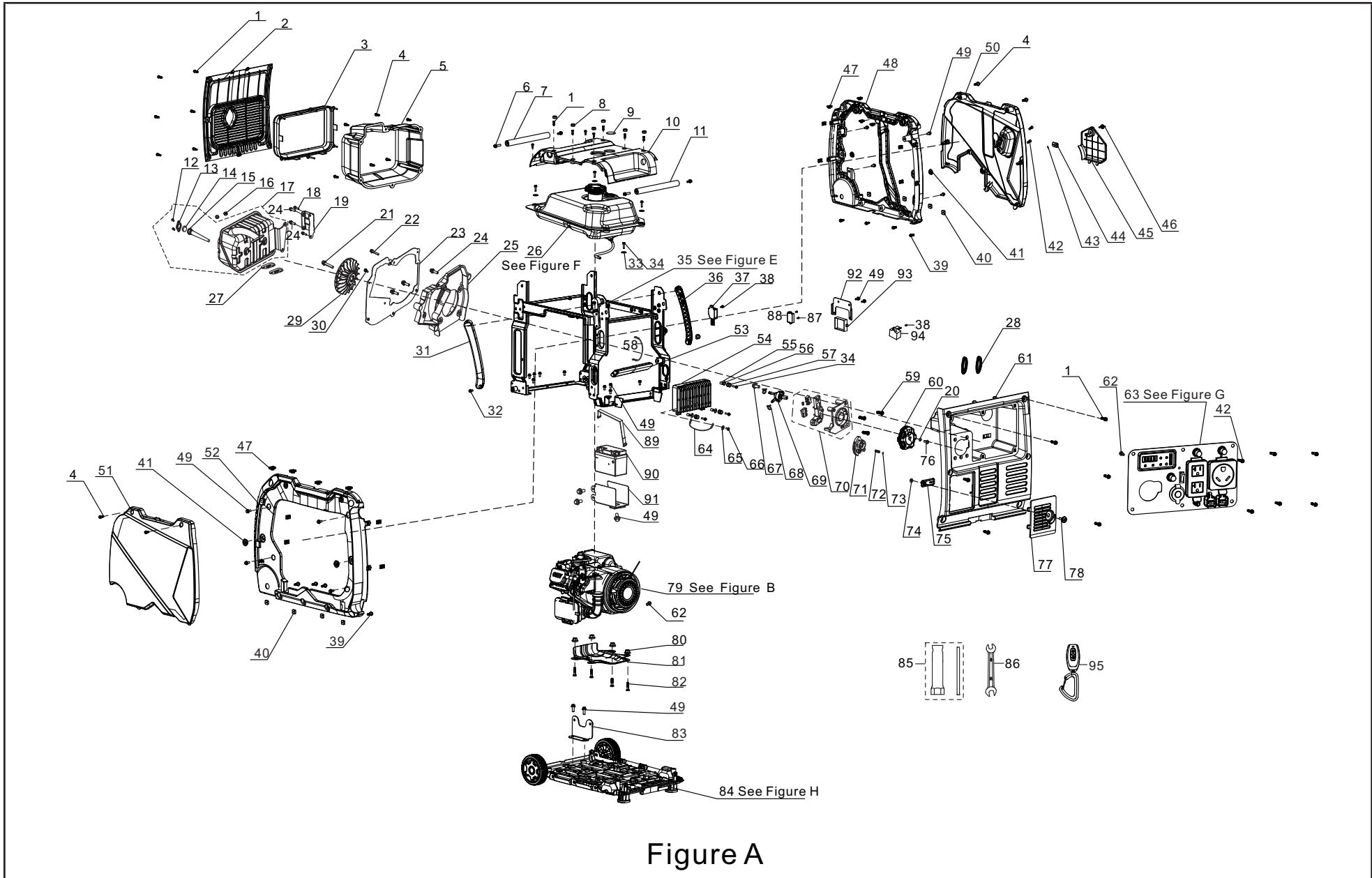


Figure A

GENERATOR PARTS LIST

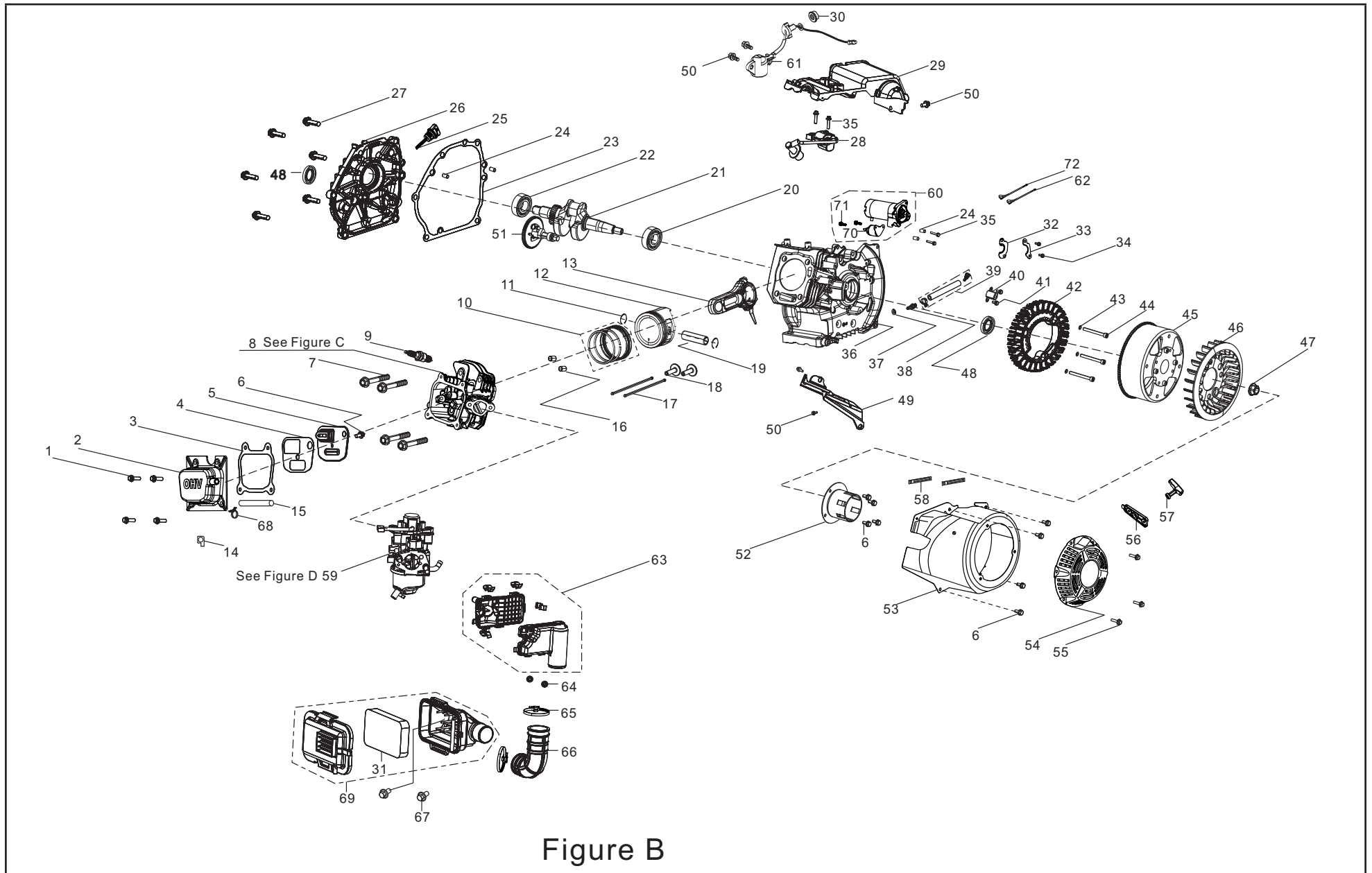
#	Part Number	Description	Qty.
1	90208-000005	M5 x 16 Hexagon Step Bolt	20
2	18002-000011	Muffler Louver	1
3	18018-000001	Muffler Insulator Glue Cushion	1
4	90208-000004	M5 x 12 Hexagon Step Bolt	10
5	18130-000001	Muffler Guard	1
6	90115-000001	M8 x 30 Hexagon Socket Bolt	4
7	80153-000002	Handle 2, Ø28 x 332	1
8	90722-000005	End Plug 1	6
9	37205-000001	Fuel Gauge	1
10	94230-000004	Upper Cover	1
11	80153-000001	Handle 1, Ø28 x 273	1
12	18012-000003	M5 x 10 Spark Arrestor Bolt	2
13	18213-000002	Spark Arrestor Cover Plate	1
14	18218-000002	Muffling Block	1
15	18250-000012	Spark Arrestor	1
16	90303-000005	M8 Hexagon Nut	2
17	18100-000009	Muffler Assembly	1
18	90007-000007	M6 x 12 Hexagon Flange Bolt, Big head	2
19	18030-000001	Muffler Bracket	1
20	90408-000001	Flat Washer	1
21	90001-000042	M8 x 20 Hexagon Flange Bolt	1
22	90007-000018	M6 x 35 Hexagon Flange Bolt	1
23	18299-000001	Muffler Guard Bracket	1
24	90001-000040	M8 x 16 Hexagon Flange Bolt	5
25	28110-000001	Shroud	1
26	96003-Y16620-0012	Fuel Tank Assembly - See Figure F	1
27	18001-000011	Exhaust Outlet Gasket	2
28	30431-000015	Rubber Sleeve, Ø38 x Ø51 x 9	2
29	19352-000001	Inverter Cooling Fan	1
30	90124-000002	Self Tapping Screw, PT4×13	1

#	Part Number	Description	Qty.
31	54912-000002	Rotating Arm 2, Left	1
32	90001-000019	M6 x 12 Hexagon Flange Bolt	2
33	90408-000010	Flat Washer, Ø25 x Ø6.2 x 2	4
34	90001-000026	M6 x 25 Hexagon Flange Bolt	7
35	96003-Y51100-0009	Frame - See Figure E	1
36	54912-000003	Rotating Arm 1, Right	1
37	30060-000004	Rectifier	1
38	90001-000023	M6 x 16 Hexagon Flange Bolt	2
39	90208-000003	M6 x 20 Hexagon Step Bolt	8
40	90326-000001	M6 Square Nut	8
41	16601-000005	Vibration Mount 2, Fuel Tank	4
42	90255-000003	M5 x 12 Screw & Washer Assembly	8
43	37073-000001	Spring Clip	1
44	24329-000001	Block 1	1
45	51197-000011	Service Side Access Panel	1
46	80105-000001	Service Side Access Panel Knob	1
47	17199-000003	M5 Clip Nut	16
48	80095-000011	Right Shell	1
49	90001-000018	M6 x 12 Hexagon Flange Bolt	23
50	80096-000029	Right Cover Board	1
51	80092-000030	Left Cover Board	1
52	80091-000010	Left Shell	1
53	54913-000002	Rotating Bar	1
54	30043-000025	Inverter, 3.3/3.8KW, 120V/60Hz	1
55	90683-000003	Bushing	3
56	90406-000002	Flat Washer	3
57	30431-000003	Rubber Sleeve, Ø10 x Ø19 x 16	3
58	30009-000007	Grounding Wire 1	1
59	90129-000002	Self Tapping Screw, 4.2×16	3
60	35643-000016	Engine Dial Knob	1

#	Part Number	Description	Qty.
61	35680-000003	Control Panel Housing	1
62	90001-000016	M6 x 10 Hexagon Flange Bolt	2
63	35610-000161	Control Panel Assembly - See Figure G	1
64	30009-000011	Grounding Wire	1
65	90408-000003	Flat Washer, Ø5	1
66	90005-000001	M4 x 8 Hexagon Screw	1
67	90001-000020	M6 x 14 Hexagon Flange Bolt	1
68	90685-000012	Clamp, Ø8.0 x 0.6 x 7	2
69	16750-000005	Fuel Valve Assembly	1
70	35160-000008	Engine Switch Assembly	1
71	94111-000001	Cover Board	1
72	16527-000001	Stopper Adjusting Spring	1
73	90543-000001	Steel Ball	1
74	90341-000002	M5 Nylon Nut	1
75	24329-000002	Block 2	1
76	90103-000006	M4 x 16 Screw	1
77	31123-000001	Battery Cover	1
78	90208-000002	M5 x 16, 6mm Hexagon Step Bolt	1
79	96100-210DV000-02	Engine - See Figure B	1
80	90305-000010	M8 Hexagon Flange Nut	4
81	19306-000002	Crankcase Air Deflector	1
82	90001-000050	M8 x 40 Hexagon Flange Bolt	4
83	17003-000001	Air Cleaner Support	1
84	96107-Z44110-0001	wheel kit - See Figure H	1
85	93130-000005	Spark Plug Socket	1
86	93107-000004	Wrench, 8 - 10, White Zinc	1
87	90103-000013	M5 x 16 Self Tapping Screw, M5 x 16	2
88	35720-000003	Co Alarm	1
89	31115-000003	Battery Clamp	1
90	31110-000001	Battery	1
91	31130-000001	Battery Box	1
92	51124-000007	Mounting Bracket	1

#	Part Number	Description	Qty.
93	39027-000002	Remote Module	1
94	30007-000002	Charger Module, EC0803	1
95	39024-000005	Remote Key	1

ENGINE PARTS DIAGRAM



ENGINE PARTS LIST

#	Part Number	Description	Qty.
1	90001-000024	M6 x 20 Hexagon Flange Bolt	4
2	12410-000006	Cylinder Head Cover Subassembly	1
3	12004-000010	Cylinder Head Cover Gasket	1
4	11332-000001	Breath Groove Cover Gasket	1
5	11320-000002	Breath Piece	1
6	90001-000018	M6 x 12 Hexagon Flange Bolt	9
7	12003-000001	M8 x 60 Cylinder Head Bolt	4
8	96101-Z120410-0016	Cylinder Head	1
9	30010-000001	Spark Plug, F6RTC	1
10	13200-000004	Piston Ring Assembly	1
11	13122-000001	Piston Pin Clip	2
12	13111-000019	Piston	1
13	13010-000015	Connecting Rod	1
14	90804-000001	Stop Block	1
15	17004-000014	Breather Tube	1
16	90502-000007	Pin, Ø11 x 14	2
17	14071-000005	Valve Lifter, Ø5 x Ø4 x 145.2	2
18	14081-000002	Valve Tappet, Ø23.6 x Ø8 x 31	2
19	13121-000001	Piston Pin, Ø18 x Ø14 x 54	1
20	90547-000016	Bearing, 6305	1
21	13300-000012	Crankshaft Assembly	1
22	90547-000006	Bearing, 6205	1
23	11001-000001	Crankcase Gasket	1
24	90502-000002	Pin, Ø8 x 12	4
25	15010-000002	Oil Dipstick Subassembly	1
26	11411-000006	Crankcase Cover	1
27	90001-000047	M8 x 32 Hexagon Flange Bolt	6
28	30400-000012	Ignition Coil	1
29	16675-000001	Shield	1
30	90305-000014	M10 Hexagon Flange Nut	1

#	Part Number	Description	Qty.
31	17151-000005	Air Cleaner Element	1
32	54066-000004	Wiring Clamp	1
33	30002-000001	Magneto Wiring Clamp	1
34	90001-000008	M5 x 20 Hexagon Flange Bolt	2
35	90001-000028	M6 x 28 Hexagon Flange Bolt	2
36	11310-000007	Crankcase Subassembly	1
37	90408-000021	Flat Washer, Ø10 x Ø15.8 x 1.5	1
38	90689-000003	Fuel Tube Joint	1
39	11011-000001	Oil Drain Hose, Ø9.5 x Ø17 x 105	1
40	30130-000004	Trigger	1
41	90001-000007	M5 x 16 Hexagon Flange Bolt	2
42	30120-000036	Stator Component, Ø152 x 38	1
43	90408-000005	Washer, Ø6	3
44	90102-000003	M6 x 60 Hexagon Socket Cap Screw	3
45	30110-000011	Rotor Component	1
46	19352-000016	Engine Cooling Fan	1
47	13501-000001	Flywheel Nut, M14 x 1.5	1
48	90682-000002	Oil Seal, Ø25 x Ø41.25 x 6	2
49	19309-000001	Crankcase Right Shield	1
50	90001-000022	M6 x 16 Hexagon Flange Bolt	5
51	14200-000008	Camshaft Assembly	1
52	28002-000009	Starter Pulley	1
53	28110-000014	Shroud	1
54	28200-000013	Recoil Starter Assembly	1
55	90251-000001	M6 x 8 Bolt and Washer Assembly	3
56	28004-000005	Starter Rope Guide Plate	1
57	28210-000003	Starter Rope Handle	1
58	90684-000003	Clip, 100 mm	2
59	96003-Z16100-0014	Carburetor Assembly	1
60	30300-000002	Starting Motor Assembly	1

#	Part Number	Description	Qty.
61	37060-000009	Engine oil Sensor, W/O Nut	1
62	31114-000009	Engine Wire Harness	1
63	17400-000002	Auxiliary Air Cleaner	1
64	90305-000007	M6 Hexagon Flange Nut	2
65	12081-000001	Clamp 1	2
66	12510-000001	Inlet Pipe	1
67	90001-000026	M6 x 25 Hexagon Flange Bolt	2
68	90685-000015	Clamp, Ø14 x 1	1
69	17100-000017	Air Cleaner	1
70	30500-000002	Starting Relay	1
71	90001-000006	M5 x 14 Hexagon Flange Bolt	2
72	31112-000009	Battery Wire Harness	1

CYLINDER HEAD PARTS DIAGRAM

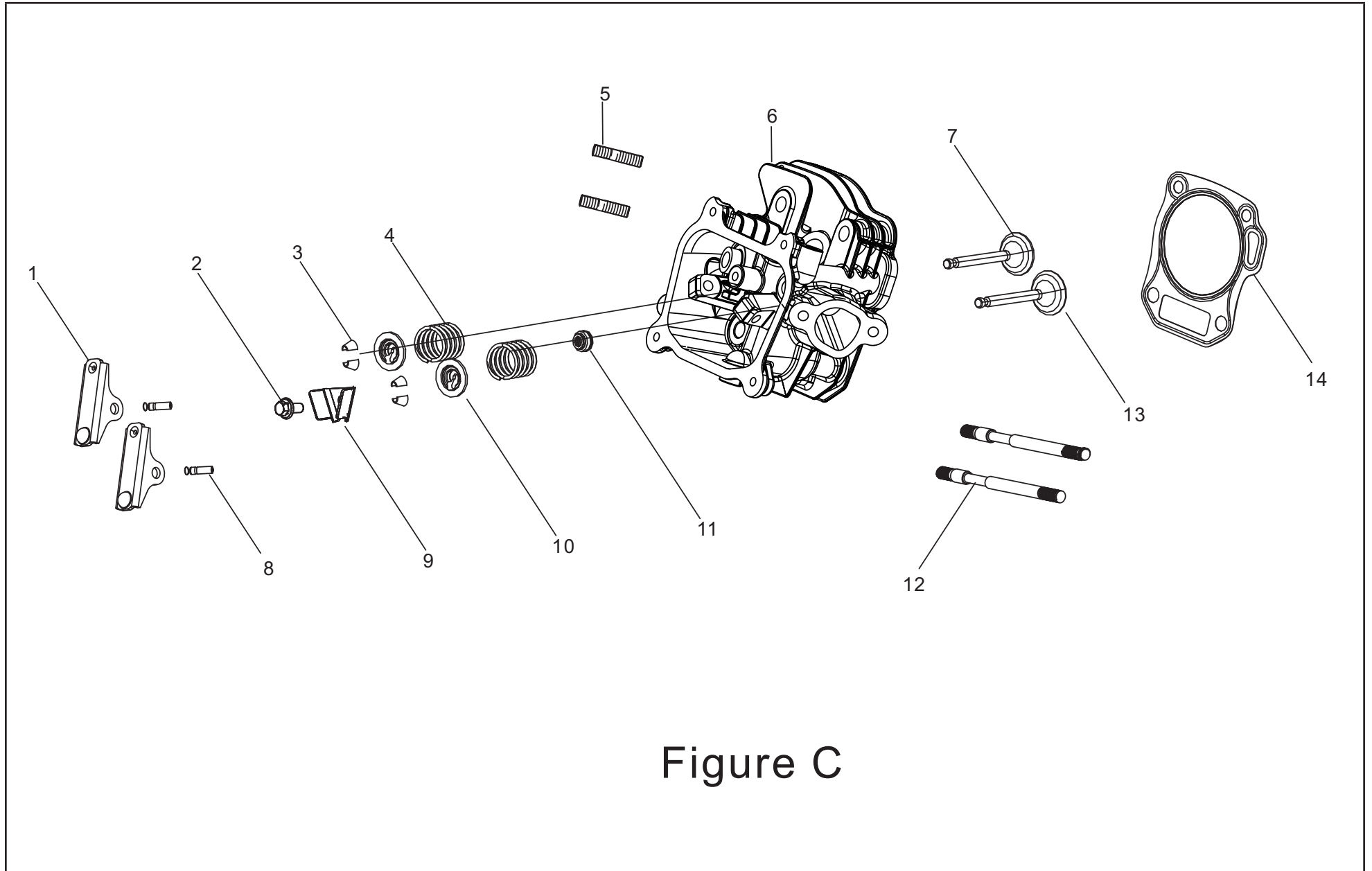


Figure C

CYLINDER HEAD PARTS LIST

#	Part Number	Description	Qty.
1	14310-00008	Valve Rocker Subassembly	2
2	90001-000018	M6 x 12 Hexagon Flange Bolt	1
3	12109-000004	Valve Lock Clamp	4
4	12103-000010	Valve Spring	2
5	90203-000001	M8 x 34 Stud	2
6	12140-000023	Cylinder Head Subassembly	1
7	12121-000015	Exhaust Valve	1
8	14318-000007	Valve Rocker Shaft Subassembly	2
9	12419-000002	Cylinder Head Cover Pin Plate	1
10	12112-000008	Valve Spring Retainer	2
11	12101-000006	Seal Guide	1
12	90207-000002	M6 x 105 Stud	2
13	12111-000012	Inlet Valve	1
14	12131-000015	Cylinder Head Gasket	1

CARBURETOR PARTS DIAGRAM

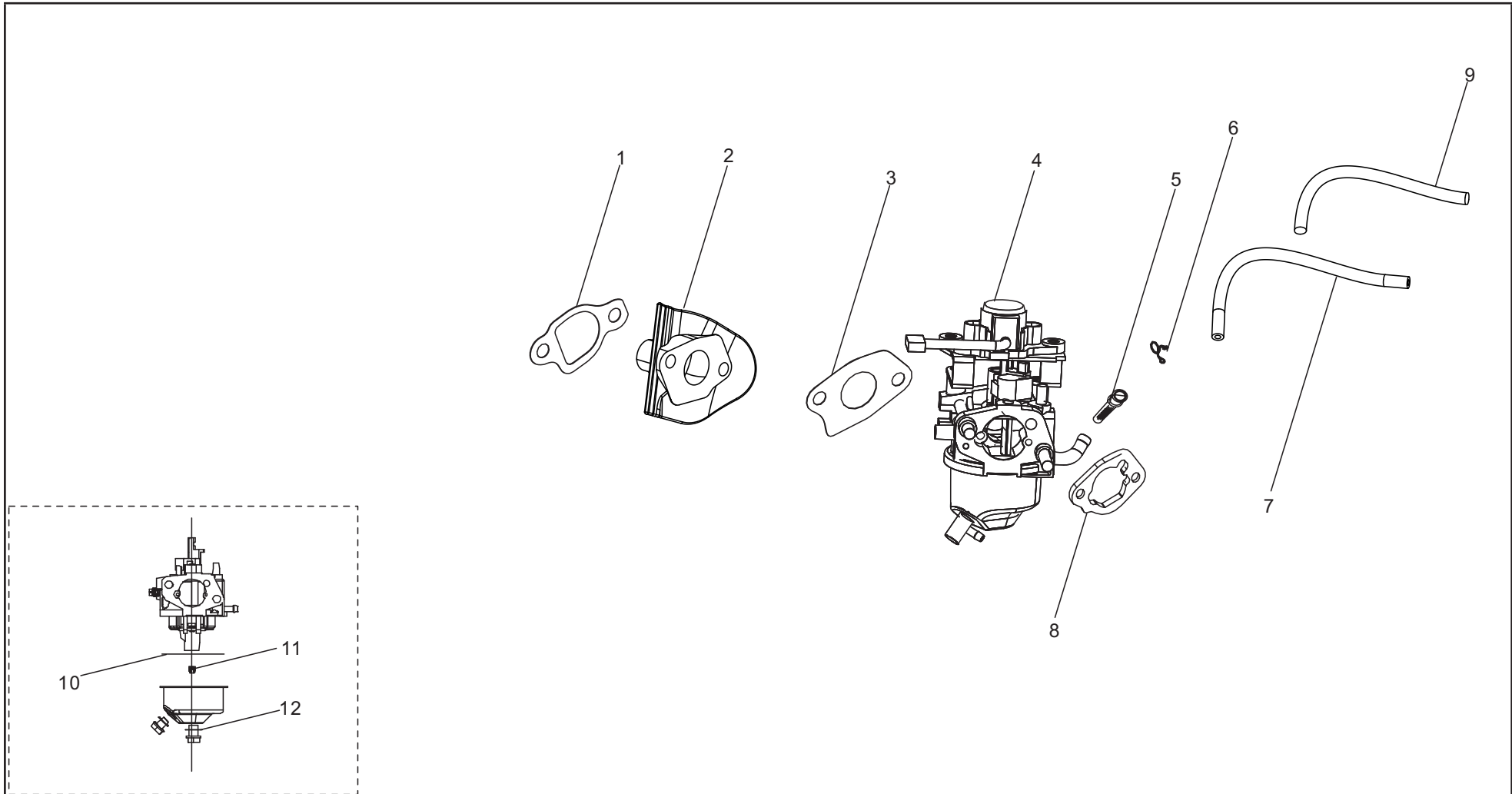


Figure D

CARBURETOR PARTS LIST

#	Part Number	Description	Qty.
1	16002-000006	Carburetor Insulator Gasket	1
2	16003-000007	Carburetor Insulator Plate	1
3	16001-000001	Carburetor Gasket	1
4	16100-000022	Carburetor Assembly	1
5	16652-000016	Fuel Filter	1
6	90685-000002	Clamp, Ø9 x Ø0.8 x 8	1
7	90686-000008	Fuel Tube, Ø4.5 x Ø8.5 x 260	1
8	17001-000007	Air Cleaner Gasket	1
9	30431-000010	Rubber Sleeve	1
10	16112-000001	Seal Ring, Float	1
11	16161-000005	Main Jet(H128×0.68)	1
	16161-000004	Main Jet(H128×0.71), Altitude 3000-6000 Feet	/
	16161-000010	Main Jet(H128×0.74), Altitude 6000-8000 Feet	/
12	90681-000004	Seal Ring	1

FRAME ASSEMBLY PARTS DIAGRAM

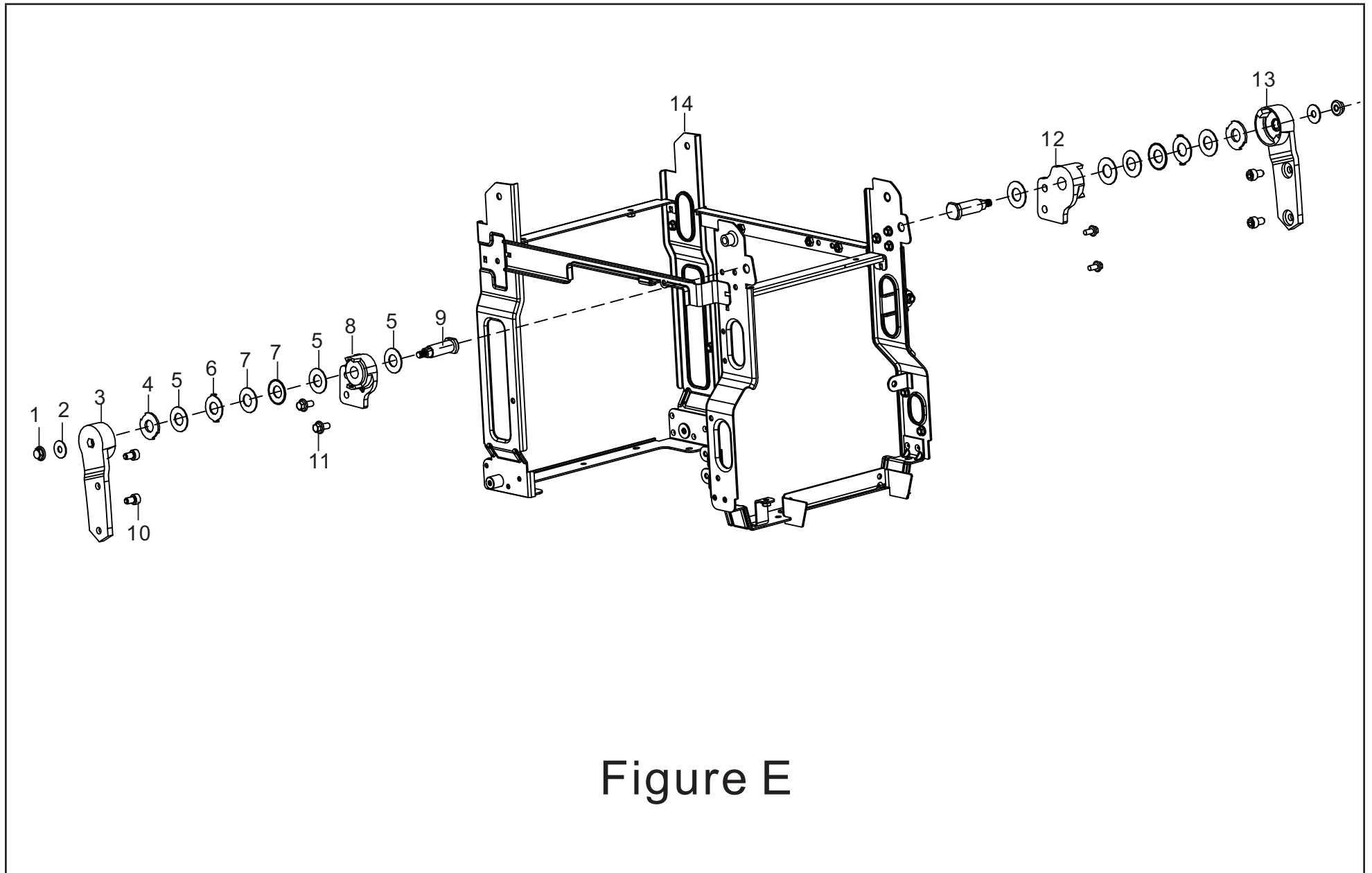


Figure E

FRAME ASSEMBLY PARTS LIST

#	Part Number	Description	Qty.
1	90341-000001	M6 Nylon Nut	2
2	90408-000015	Flat Washer, Ø18 x 6.5 x 1.5	2
3	54122-000001	Left Seat 2, Handle Tube Connecting	1
4	90412-000001	Flat Washer, Ø12.2 x 27 x 2	2
5	90412-000002	Flat Washer, Ø13 x 25 x 1	6
6	42017-000001	Lock Washer	2
7	90419-000002	Washer, Butterfly, Ø12.2 x 25 x 1x 2	4
8	54113-000005	Left Seat 1, Handle Tube Connecting	1
9	26231-000001	Fixed Axis Shaft	2
10	90001-000017	M6 x 10 Hexagon Flange Bolt	4
11	90007-000011	M6 x 16 Hexagon Flange Bolt	4
12	54113-000006	Right Seat 1, Handle Tube Connecting	1
13	54122-000002	Right Seat 2, Handle Tube Connecting	1
14	51100-000040	Frame Assembly	1

FUEL TANK PARTS DIAGRAM

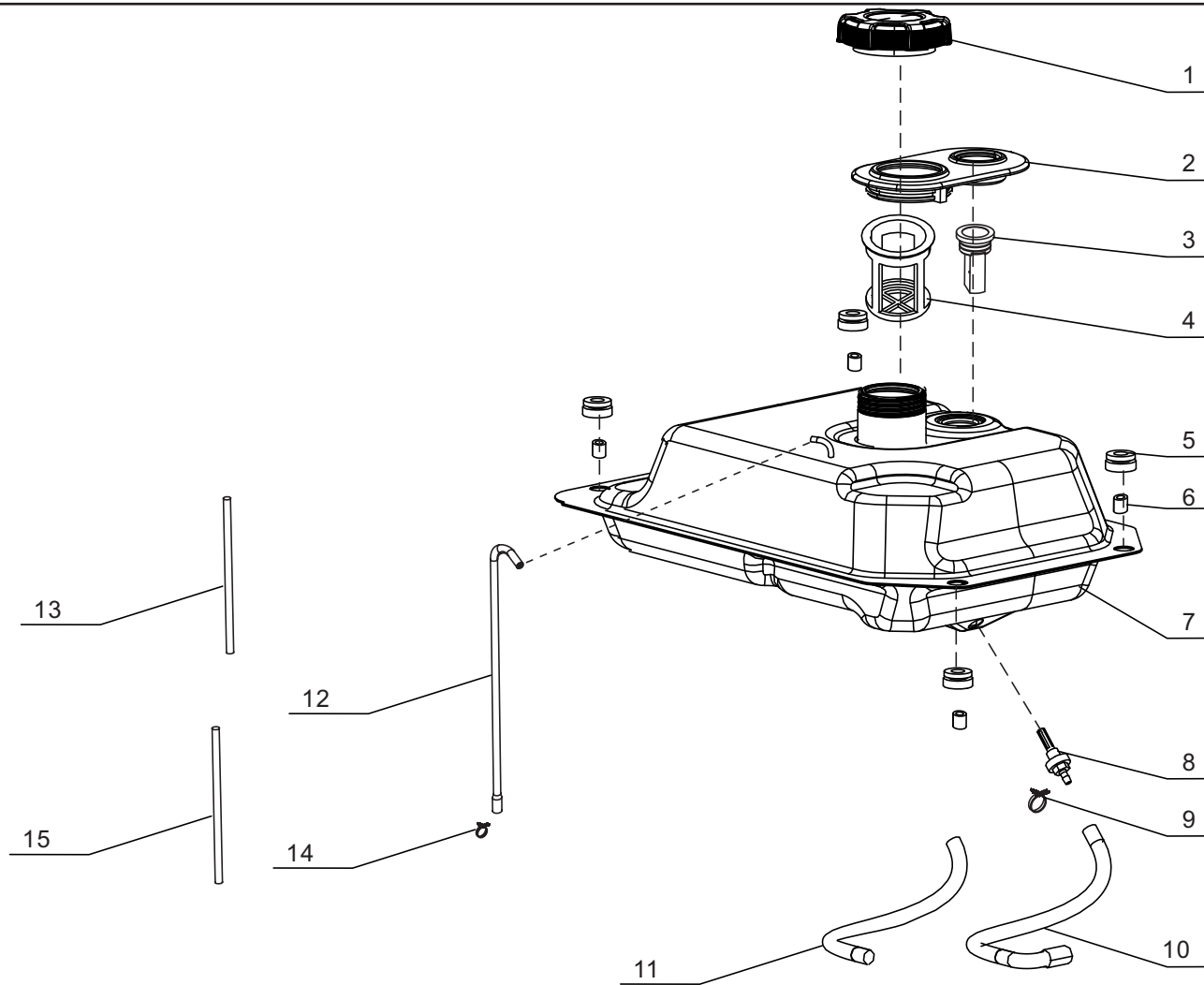


Figure F

FUEL TANK PARTS LIST

#	Part Number	Description	Qty.
1	16730-000011	Fuel Tank Cap	1
2	16641-000002	Filling Fuel Hole Rubber Sleeve	1
3	37200-000006	Fuel Gauge	1
4	16652-000004	Fuel Filter	1
5	16601-000001	Fuel Tank Vibration Mount 1	4
6	90683-000001	Bushing	4
7	16620-000005	Fuel Tank, 8.5L	1
8	16680-000001	Fuel Tank Fuel Outlet Subassembly	1
9	90685-000007	Clamp, Ø9.5 x 0.8 x 8	1
10	90686-000007	Carburetor Tube, Ø4.5 x Ø8.5 x 155	1
11	30431-000001	Fuel Tube Rubber Sleeve, Ø9 x Ø11 x 60	1
12	16804-000014	Air Cleaner Tube, Ø4.5 x Ø8.5 x 375	1
13	30431-000010	Fuel Tube Rubber Sleeve, Ø10 x Ø11 x 180	1
14	90685-000010	Clamp, Ø10.5 x 0.8 x 8	1
15	30431-000029	Fuel Tube Rubber Sleeve, Ø11.5 x Ø13 x 100	1

CONTROL PANEL PARTS DIAGRAM

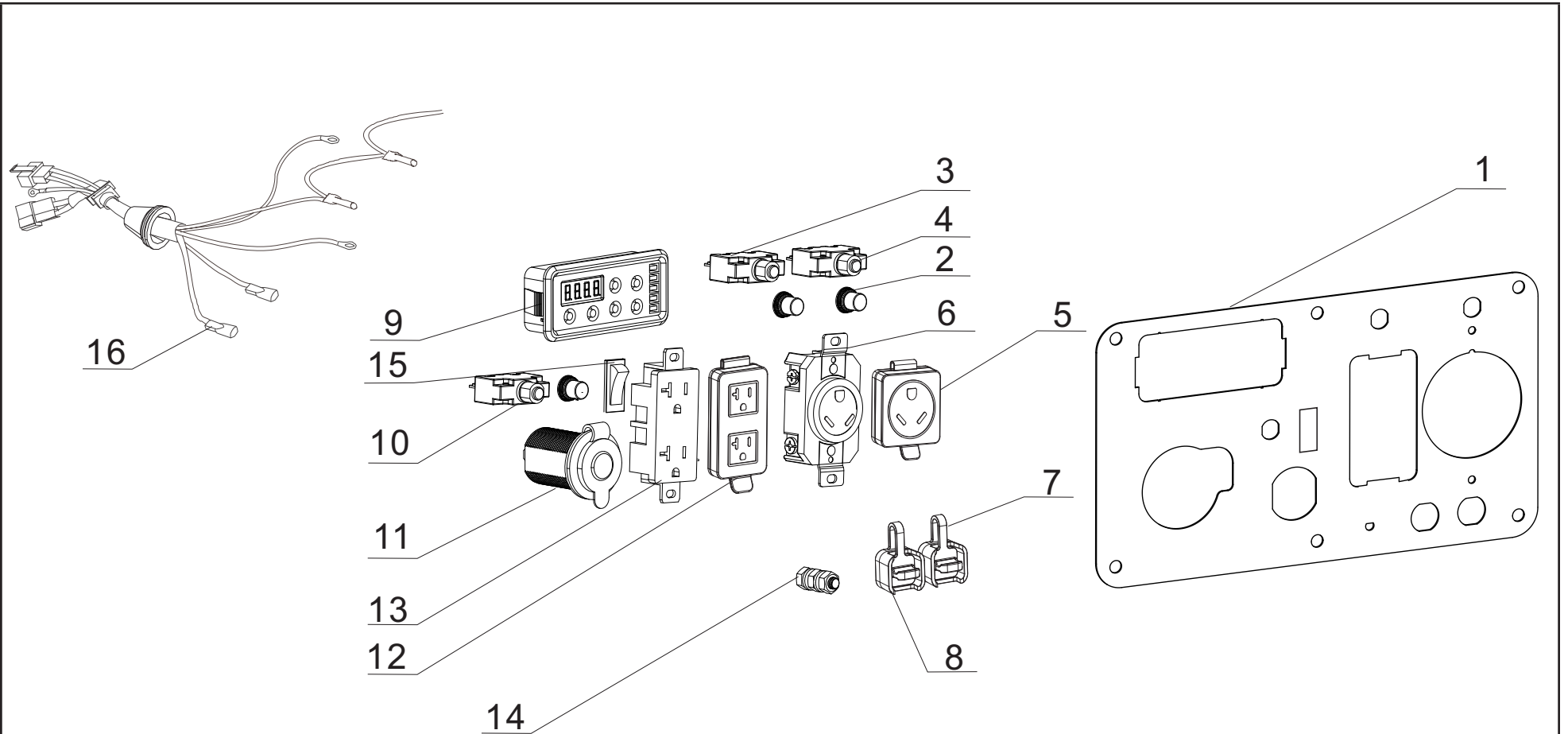
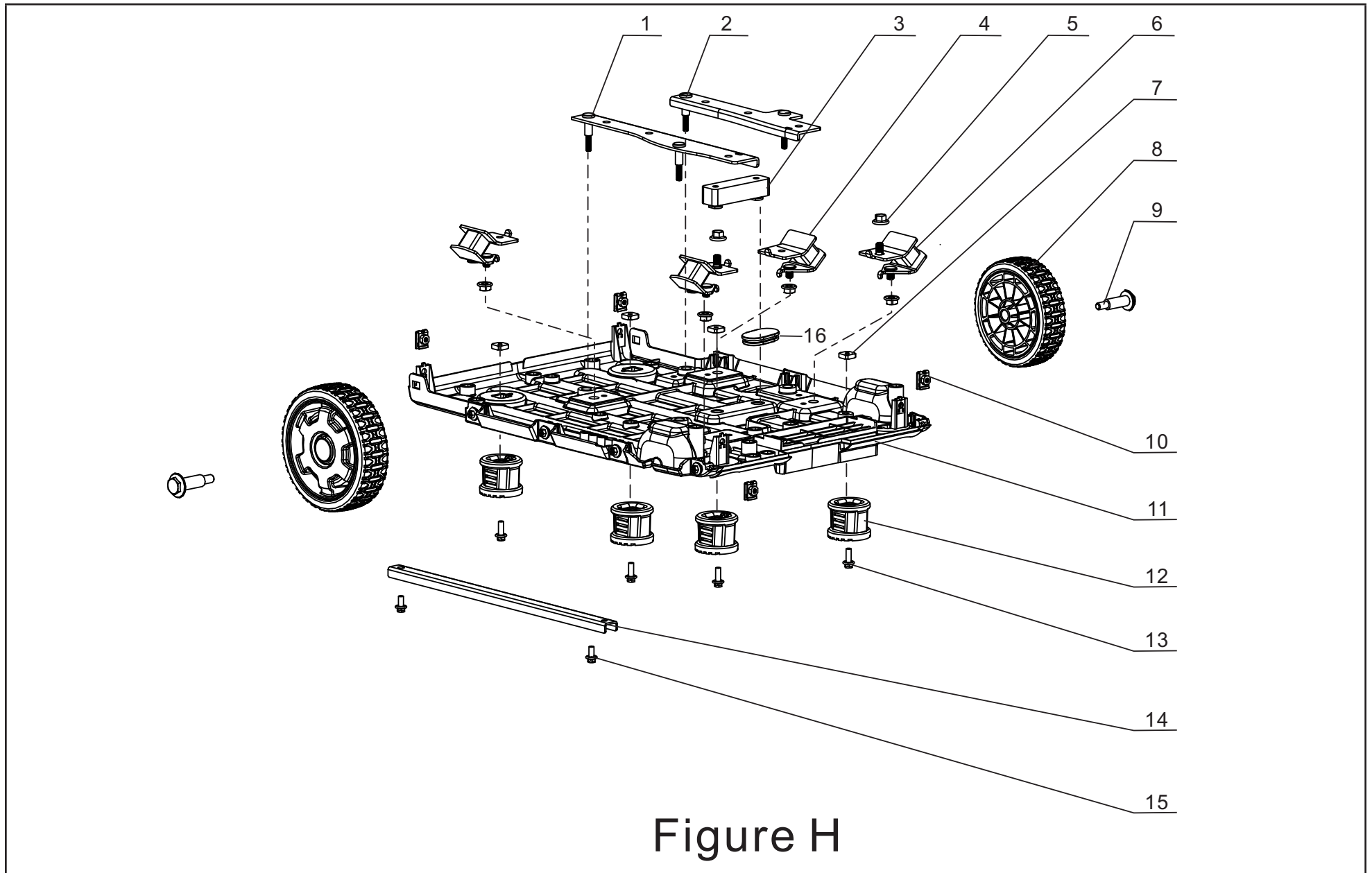


Figure G

CONTROL PANEL PARTS LIST

#	Part Number	Description	Qty.
1	35650-000047	Control Panel	1
2	35654-000005	Push Button Cover	3
3	31234-000003	20Amp Circuit Breaker, Push Button, 125/250V	1
4	31234-000007	30Amp Circuit Breaker, Push Button, 125/250V	1
5	35654-000011	Receptacle Cover, TT-30R	1
6	35614-000007	TT-30R Receptacle, 30A, 125V	1
7	35614-000020	Wireless Parallel, Black	1
8	35614-000019	Wireless Parallel, Red	1
9	35632-000009	Intelligence	1
10	31234-000002	20Amp Circuit Breaker, Push Button, 125/250V	1
11	35619-000003	Automotive Receptacle, 12V DC	1
12	35654-000013	Receptacle Cover, 5-20R	1
13	35614-000017	5-20R Receptacle, 20A, 125V	1
14	35629-000001	Grounding Terminal	1
15	35160-000007	Battery Switch	1
16	35660-000055	Control Panel Wire Harness	1

WHEEL KIT PARTS DIAGRAM



WHEEL KIT PARTS LIST

#	Part Number	Description	Qty.
1	51188-000001	Left Support, Engine	1
2	51189-000001	Right Support, Engine	1
3	50035-000003	Cushion Rubber Bracket	1
4	51011-000003	Frame Vibration Mount, Right	2
5	90305-000010	M8 Hexagon Flange Nut	6
6	51009-000001	Frame Vibration Mount, Left	2
7	90326-000001	M6 Square Nut	4
8	44110-000012	5in. Wheel, Yellow	2
9	42002-000002	M8 x 15 Roll Pin	2
10	17199-000003	M5 Clip Nut	4
11	51143-000008	Bottom Plate	1
12	51014-000007	Rubber Foot	4
13	90001-000022	M6 x 16 Hexagon Flange Bolt	4
14	51103-000002	Reinforcing Plate	1
15	90001-000018	M6 x 12 Hexagon Flange Bolt	2
16	90722-000002	End Plug	1

WIRING DIAGRAM

