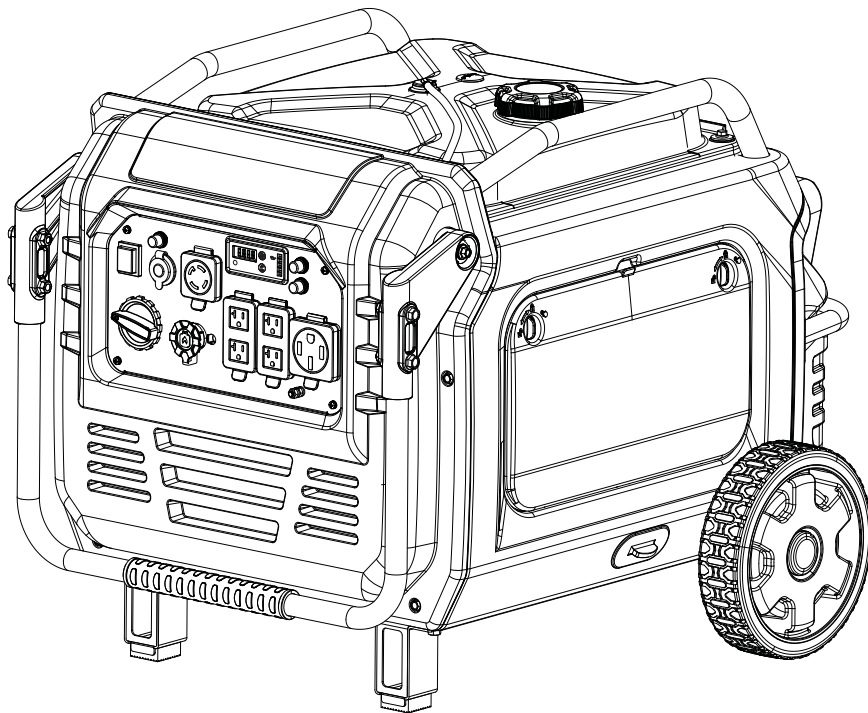




Champion Power Equipment, Inc.

MODEL #201177



PARTS INFORMATION

8500W DUAL FUEL ELECTRIC START INVERTER GENERATOR

SERIAL NUMBER RANGE: ALL



To order replacement parts please visit:
shop.championpowerequipment.com
or call **1-877-338-0999**.

TABLE OF CONTENTS

Generator Parts Diagram	3
Generator Parts List	4
Engine Parts Diagram	6
Engine Parts List	7
Cylinder Head Parts Diagram	9
Cylinder Head Parts List	10
Carburetor Parts Diagram	11
Carburetor Parts List	12
Frame Parts Diagram	13
Frame Parts List	14
Fuel Tank Parts Diagram	15
Fuel Tank Parts List	16
Control Panel Parts Diagram	17
Control Panel Parts List	18
Wiring Diagram	19

GENERATOR PARTS DIAGRAM

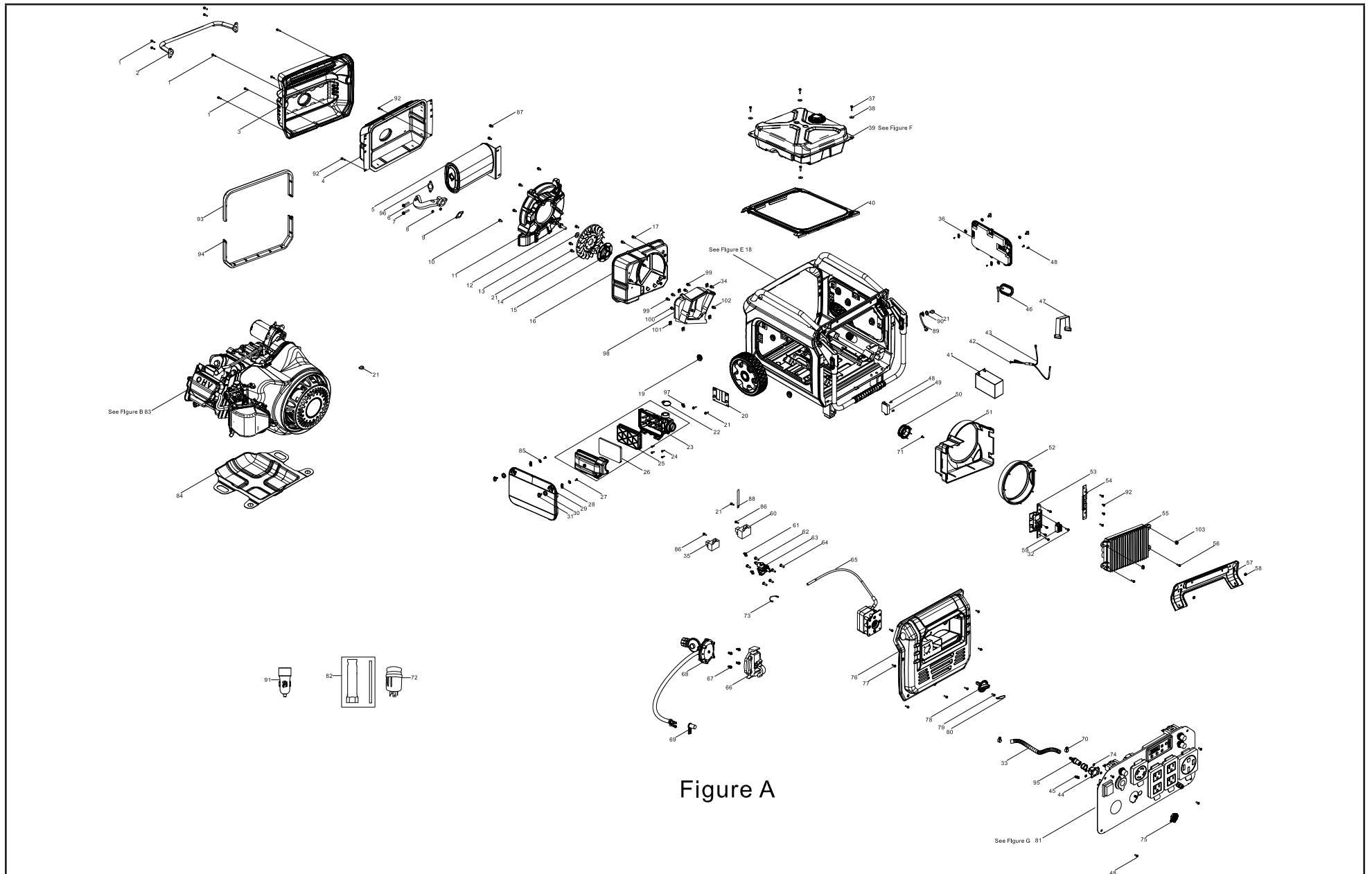


Figure A

GENERATOR PARTS LIST

#	Part Number	Description	Qty.
1	90001-000027	M6 x 25 Hexagon Flange Bolt	9
2	51001-000001	Crossbar Tube, Ø25	1
3	16673-000005	Muffler Protection Shield	1
4	18130-000004	Muffler Guard	1
5	18100-000043	Muffler Assembly	1
6	18150-000001	Muffler Exhaust Pipe	1
7	90001-000062	M8 x 40 Hexagon Flange Bolt	2
8	90303-000004	M8 Nut	2
9	18001-000004	Exhaust Outlet Gasket	1
10	90001-000044	M8 x 25 Hexagon Flange Bolt	4
11	28110-000002	Crankcase Cover Shroud	1
12	90002-000001	M10 x 30 Hexagon Flange Bolt	1
13	90408-000011	Flat Washer	1
14	19352-000004	Inverter Cooling Fan	1
15	13515-000001	Mounting disc, Cooling Fan, Ø20 x Ø89 x 3.5	1
16	18003-000002	Inner Muffler Guard	1
17	90001-000022	M6 x 16 Hexagon Flange Bolt	4
18	96003-Y51100-0025	Frame Assembly - See Figure H	1
19	16601-000005	Rubber sleeve, Access Panel	6
20	17003-000007	Air Cleaner Support	1
21	90001-000018	M6 x 12 Hexagon Flange Bolt	8
22	12081-000002	Inlet Tube Clamp, M6 x 15	1
23	17100-000018	Air Cleaner	1
24	90001-000024	M6 x 20 Hexagon Flange Bolt	4
25	17150-000003	Air Cleaner Assembly	1
26	17151-000006	Air Cleaner Element	1
27	90124-000002	Self Tapping Screw, PT4×13	4
28	24329-000003	Block	4
29	80092-000032	Access Panel, Left	1
30	16527-000002	Stopper Adjusting Spring	4

#	Part Number	Description	Qty.
31	35643-000005	Access Panel Knob	4
32	90007-000011	M6 x 16 Hexagon Flange Bolt	1
33	90729-000017	Tube, Ø10 x Ø16.8 x 280	1
34	90001-000024	M6 x 20 Hexagon Flange Bolt	1
35	30008-000005	Control Module, EV02	1
36	80096-000031	Access Panel, Right	1
37	90001-000031	M6 x 30 Hexagon Flange Bolt	4
38	90408-000024	Flat Washer, Ø6 x Ø32 x 1.5	4
39	96003-Y16620-0029	Fuel Tank Assembly - See Figure F	1
40	35671-000002	Waterproof Strip	1
41	31110-000007	Battery, 12V/9Ah, 150 x 65 x 90	1
42	31112-000004	DC Wire Harness, Battery	1
43	31114-000005	DC Wire Harness, Engine	1
44	16638-000002	Protection Plate Mounting Seat	1
45	16527-000001	Stopper Adjusting Spring	1
46	90722-000008	End Plug	1
47	31115-000001	Battery Strap	1
48	90103-000012	Screw, M5 x 12	8
49	35720-000002	CO Module	1
50	17006-000001	Air Cleaner cushion	1
51	30041-000002	Inverter Cover	1
52	30214-000001	Inverter Cover Gasket	1
53	30081-000012	Inverter, Bracket 1	1
54	30081-000013	Inverter, Bracket 2	1
55	30043-000013	Inverter, 6.8/7.5kW_120V/240V_60Hz	1
56	90007-000013	M6 x 20 Hexagon Flange Bolt	2
57	51150-000001	Guard Plate Assembly	1
58	90305-000011	M8 Hexagon Flange Nut	2
59	30060-000007	Rectifier	1
60	30007-000002	Charger Module, EC0803	1

#	Part Number	Description	Qty.
61	90685-000013	Clamp, Ø8.5 x 0.6 x 8	2
62	90255-000001	M4 x 10 Screw & Washer Assembly	2
63	16750-000010	Fuel Switch	1
64	90129-000002	Self Tapping Screw	4
65	35160-000013	Engine Switch	1
66	51136-000003	Regulator Mounting Plate	1
67	90001-000019	M6 x 12 Hexagon Flange Bolt	4
68	77100-000012	Auxiliary Regulator	1
69	90722-000013	End Plug 1	1
70	90748-000002	Clamp, Ø10 x 16	2
71	90124-000003	Self Tapping Screw, PT5x16	1
72	35613-000005	Adapter, L14-30P to TT-30R	1
73	35191-000007	Wiring Harness, Microswitch	1
74	90305-000001	M4 Hexagon Flange Nut	4
75	90722-000020	End Plug 2	1
76	35680-000010	Control Panel Housing	1
77	90001-000023	M6 x 16 Hexagon Flange Bolt	7
78	35643-000006	Engine Switch Dial	1
79	90103-000006	M4 x 16 Screw	1
80	82007-000005	Decorative Cover	1
81	35610-000138	Control Panel Assembly - See Figure G	1
82	93130-000001	Spark Plug Socket	1
83	96100-R420DNVI-02	Engine, 420cc	1
84	19306-000003	Crankcase Air Deflector	1
85	90408-000002	Flat Washer	4
86	90001-000022	M6 x 16 Hexagon Flange Bolt	2
87	90001-000041	M8 x 16 Hexagon Flange Bolt	2
88	90684-000003	Clip, L=100	1
89	30009-000019	Grounding Wire	1
90	90415-000002	Toothed Lock Washer	1
91	35613-000001	12VDC USB Adapter	1
92	90007-000008	M6 x 12 Hexagon Flange Bolt	10

#	Part Number	Description	Qty.
93	18005-000003	Heat Insulation rubber, muffler inner cover, Up	1
94	18005-000004	Heat Insulation rubber, muffler inner cover, Down	1
95	16021-000003	Inlet Connection	1
96	18001-000005	Exhaust Outlet Gasket	1
97	90685-000010	Clamp, Ø10.5 x 0.8 x 8	1
98	28110-000036	Muffler Guard Shroud	1
99	90001-000022	M6 x 16 Hexagon Flange Bolt	2
100	90007-000002	M5 x 12 Hexagon Flange Bolt	4
101	17199-000002	M5 Clip Nut	5
102	90007-000006	M5 x 20 Hexagon Flange Bolt	1
103	90305-000005	M6 Hexagon Flange Nut	2

ENGINE PARTS DIAGRAM

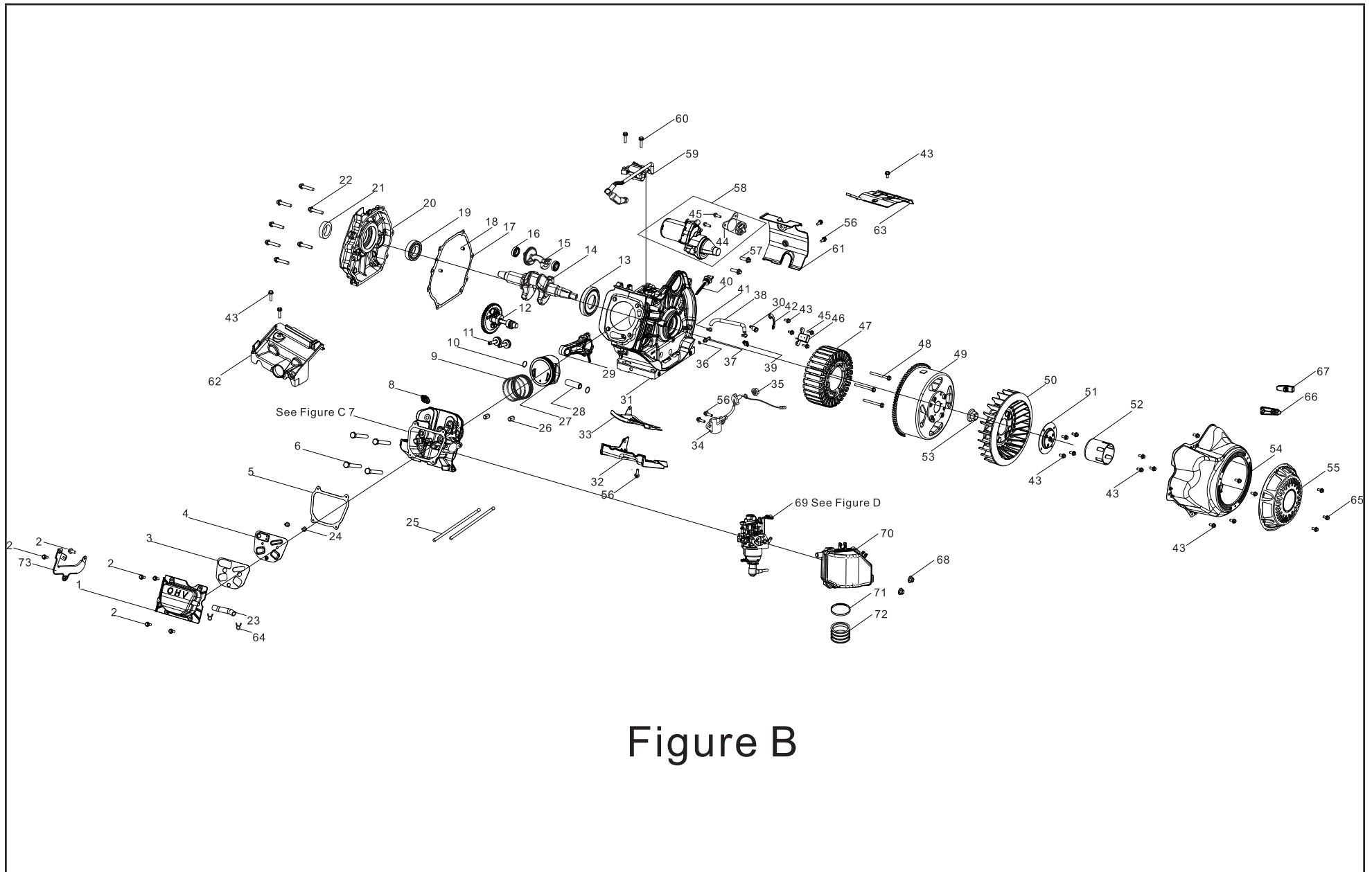


Figure B

ENGINE PARTS LIST

#	Part Number	Description	Qty.
1	12410-000007	Cylinder Head Cover Subassembly	1
2	90001-000024	M6 x 20 Hexagon Flange Bolt	6
3	11332-000002	Breather Groove Cover Gasket	1
4	11320-000003	Breather	1
5	12004-000011	Cylinder Head Cover Gasket	1
6	12003-000004	M10 x 80 Cylinder Head Bolt	4
7	96003-Z12140-0041	Cylinder Head Assembly - See Figure C	1
8	30010-000003	Spark Plug, F7RTC	1
9	13200-000015	Piston Ring Assembly	1
10	13122-000002	Piston Pin Clip	2
11	14081-000003	Valve Tappet	2
12	14200-000007	Camshaft Assembly	1
13	90682-000005	Oil Seal, Ø40 x Ø52 x 9	1
14	13300-000013	Crankshaft Assembly	1
15	13400-000001	Balancing Shaft	1
16	90548-000001	Bearing, 6202	2
17	11001-000004	Crankcase Gasket	1
18	90502-000002	Pin, 8 x 12	2
19	90547-000009	Bearing, 6207	1
20	11411-000007	Crankcase Cover	1
21	90682-000006	Oil Seal, Ø35 x Ø52 x 7	1
22	90001-000050	M8 x 40 Hexagon Flange Bolt	7
23	17004-000015	Breather Tube	1
24	90001-000003	M5 x 12 Hexagon Flange Bolt	2
25	14070-000002	Valve Lifter	2
26	90502-000008	Pin, 12 x 20	2
27	13111-000020	Piston	1
28	13121-000004	Piston Pin, Ø20 x Ø14.75 x 62	1
29	13010-000004	Connecting Rod	1
30	90689-000002	Fuel Tube Joint	1

#	Part Number	Description	Qty.
31	11310-000008	Crankcase Subassembly	1
32	19305-000002	Cylinder Body Shroud 2	1
33	12014-000001	Head Air Deflector	1
34	37060-000006	Engine Oil Sensor, W/O Nut	1
35	90305-000014	M10 Hexagon Flange Nut	1
36	90408-000021	Flat Washer, Ø15.8	1
37	90689-000003	Fuel Tube Connector	1
38	11011-000003	Oil Drain Hose Assembly	1
39	15030-000001	Oil Plug Subassembly	1
40	15010-000005	Oil Dipstick Subassembly	1
41	90685-000004	Clamp, Ø16 x 0.8 x 10	2
42	30002-000002	Magneto Wiring Clamp	1
43	90001-000018	M6 x 12 Hexagon Flange Bolt	17
44	30500-000001	Starting Relay	1
45	90001-000007	M5 x 16 Hexagon Flange Bolt	4
46	30130-000005	Trigger Assembly	1
47	30120-000030	Stator Component, Ø179 x 53	1
48	90007-000020	M6 x 65 Hexagon Flange Bolt	3
49	30110-000008	Rotor Component, Ø179 x 53	1
50	19352-000015	Engine Cooling Fan	1
51	28020-000001	Starter Pulley Base	1
52	28002-000010	Starter Pulley	1
53	13510-000003	M16 x 1.5 Flywheel Nut	1
54	28110-000015	Cooling Fan Shroud	1
55	28200-000015	Recoil Starter Assembly	1
56	90001-000022	M6 x 16 Hexagon Flange Bolt	5
57	90001-000044	M8 x 25 Hexagon Flange Bolt	2
58	30300-000008	Starting Motor Assembly	1
59	30400-000036	Ignition Coil	1
60	90001-000026	M6 x 25 Hexagon Flange Bolt	2

#	Part Number	Description	Qty.
61	19351-000001	Crankcase Rear Shield	1
62	12014-000005	Head Air Deflector 1	1
63	28118-000003	Block	1
64	90685-000015	Clamp, Ø14	2
65	90001-000014	M6 x 8 Hexagon Flange Bolt	3
66	28004-000003	Recoil Guide Plate	1
67	28210-000002	Recoil Handle	1
68	90305-000007	M6 Hexagon Flange Nut	2
69	96003-Z16100-0038	Carburetor Assembly, See Figure D	1
70	17400-000003	Secondary Air Cleaner	1
71	12081-000002	Inlet Tube Clamp	1
72	12510-000002	Inlet Tube	1
73	51124-000006	Mounting Bracket	1

CYLINDER HEAD PARTS DIAGRAM

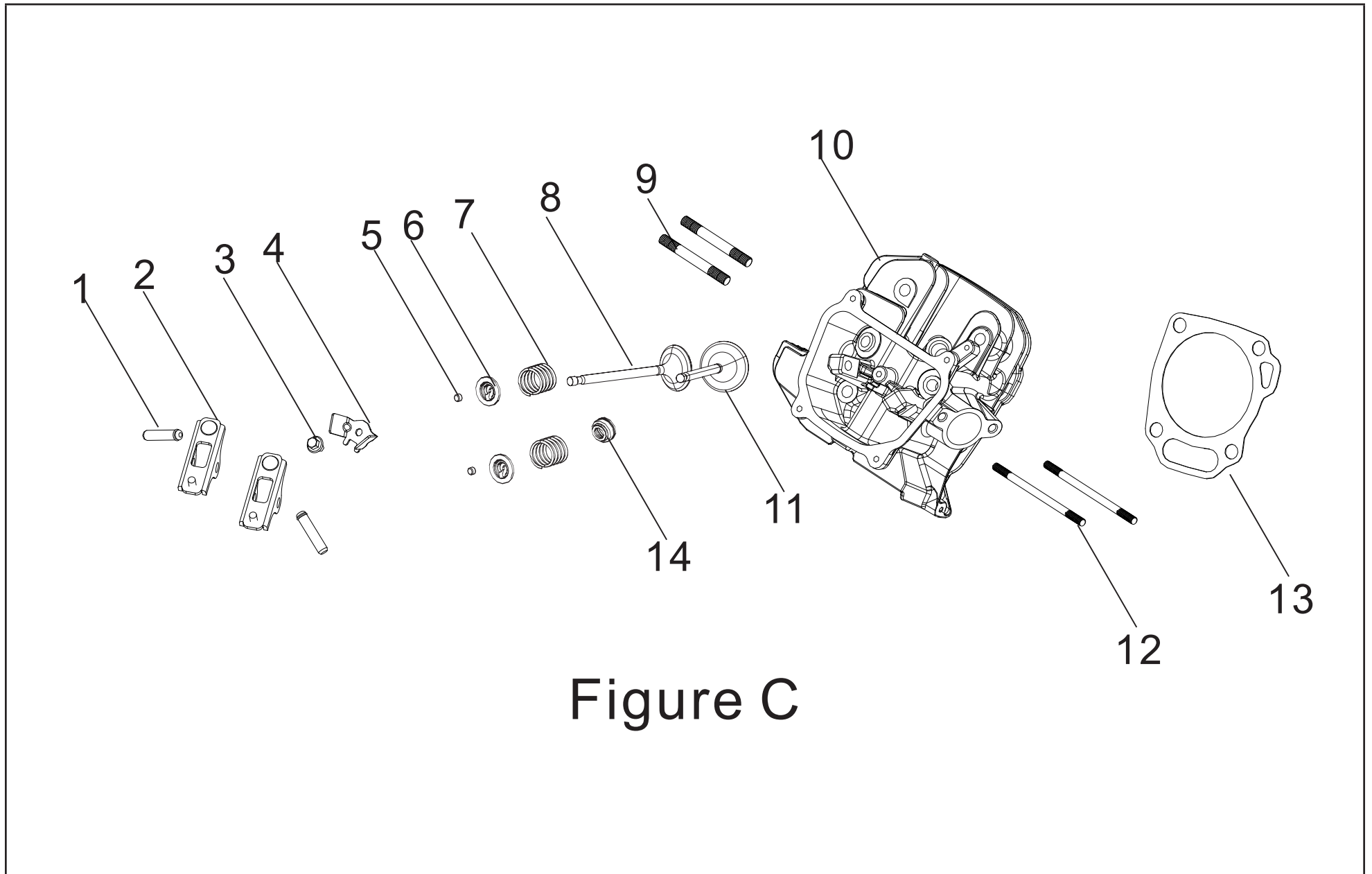


Figure C

CYLINDER HEAD PARTS LIST

#	Part Number	Description	Qty.
1	14318-000006	Valve Rocker Shaft	2
2	14310-000003	Valve Rocker Subassembly	2
3	90001-000018	M6 x 12 Hexagon Flange Bolt	1
4	12419-000002	Pin Plate, Cylinder Head Cove	1
5	12104-000001	Valve Adjusting Cap, Ø5.6 x Ø8.5 x 5.2	2
6	12107-000001	Valve Spring Retainer, Exhaust valve	2
7	12103-000009	Valve Spring, Ø19.1 x Ø2.5 x 38	2
8	12121-000003	Exhaust Valve	1
9	90204-000019	M8 x 47 Stud	2
10	12140-000009	Cylinder Head	1
11	12111-000002	Intake Valve	1
12	90204-000011	M6/M8 x 110 Stud	2
13	12131-000006	Cylinder Head Gasket	1
14	12101-000005	Seal Guide	1

CARBURETOR PARTS DIAGRAM

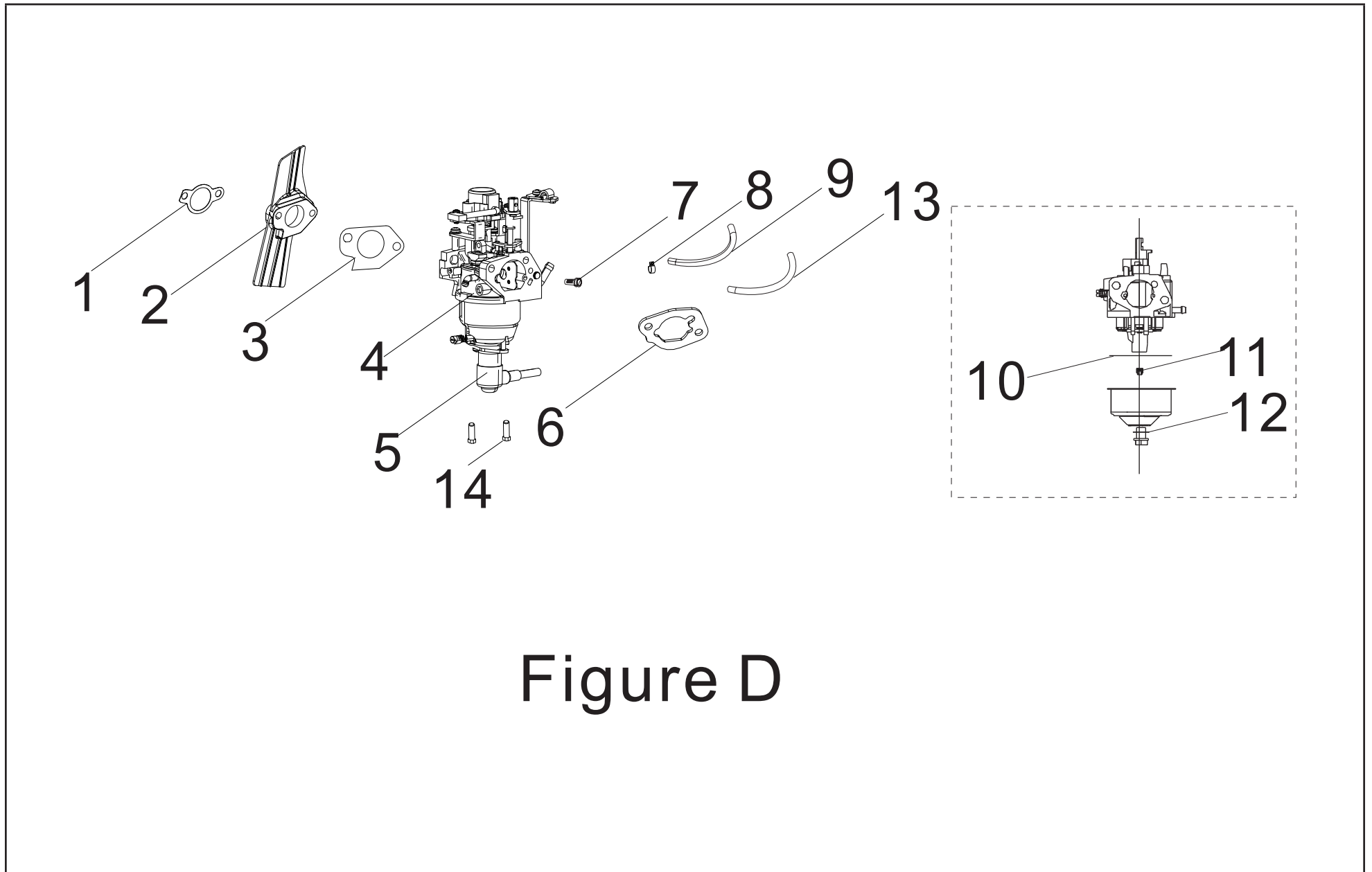


Figure D

CARBURETOR PARTS LIST

#	Part Number	Description	Qty.
1	17002-000004	Inlet Gasket	1
2	16003-000008	Carburetor Insulator Plate	1
3	16001-000003	Carburetor Gasket	1
4	16100-000068	Carburetor Assembly	1
5	16108-000008	Fuel Cut Solenoid	1
6	17001-000010	Air Cleaner Gasket	1
7	16652-000016	Fuel Filter	1
8	90685-000002	Clamp, Ø9 x Ø0.8 x 8	1
9	90686-000008	Fuel Tube, Ø4.5 x Ø8.5 x 260	1
10	16112-000011	Float Seal Ring	1
11	16161-000077	Main Jet (105#), Standard	1
	16161-000078	Main Jet (108#), Altitude 3000-6000 Feet	/
	16161-000045	Main Jet (110#), Altitude 6000-8000 Feet	/
12	90681-000008	Seal Ring	1
13	30431-000010	Rubber Sleeve, Ø10×Ø11×180	1
14	90102-000004	M5 x 10 Hexagon Socket Bolt	2

FRAME PARTS DIAGRAM

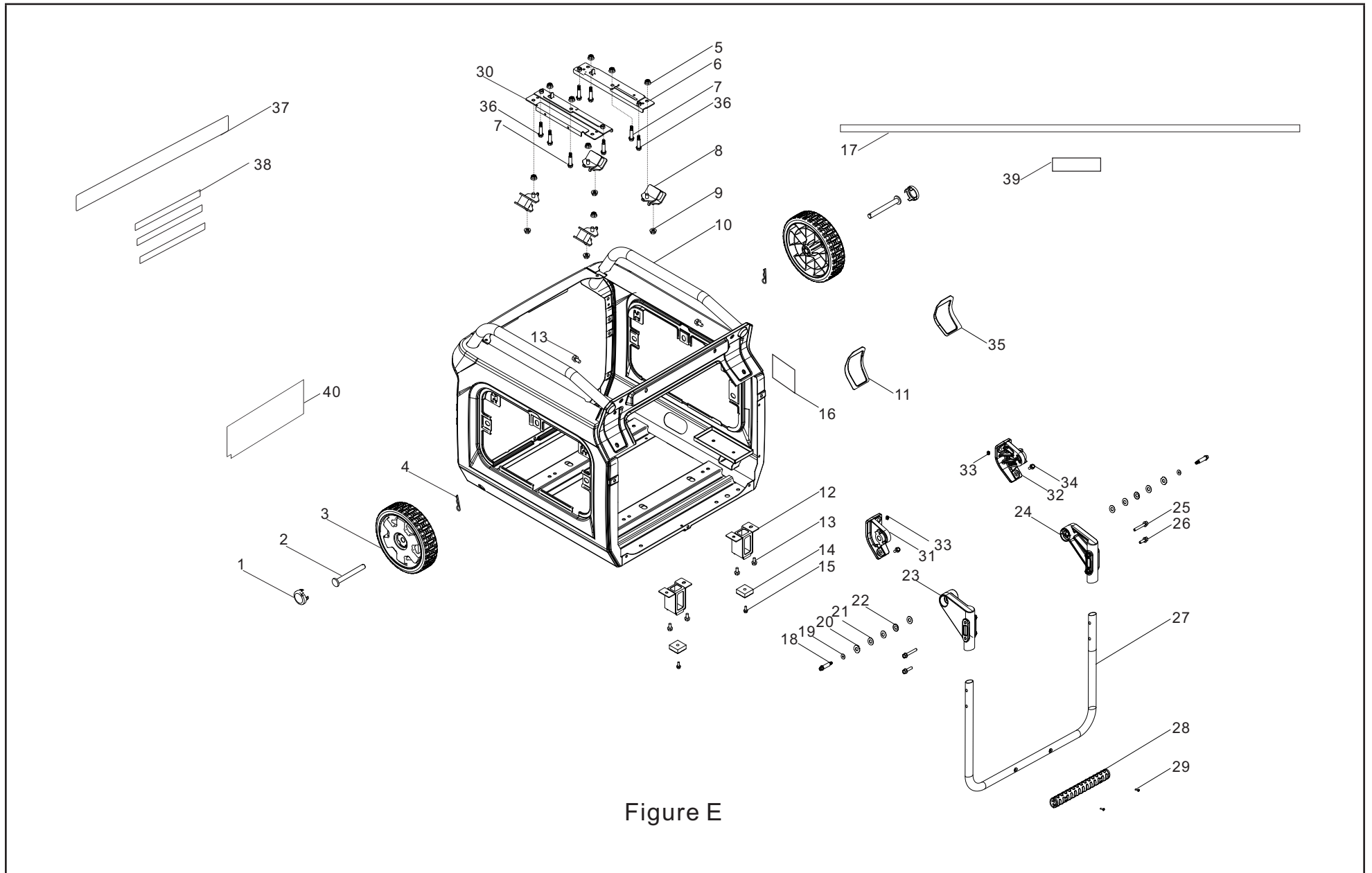


Figure E

FRAME PARTS LIST

#	Part Number	Description	Qty.
1	44001-000003	Hubcap	2
2	42002-000003	Axle	2
3	44110-000008	Wheel, 9.5in, Yellow	2
4	90501-000004	B-Clip	2
5	90306-000001	M10 Hexagon Flange Nut	8
6	51002-000016	Engine base plate	1
7	90002-000002	M10 x 40 Hexagon Flange Bolt	4
8	51005-000009	Vibration Mount 1, Frame	4
9	90305-000010	M8 Hexagon Flange Nut	4
10	51100-000045	Frame Assembly	1
11	51198-000003	Sealing Strip, Right	1
12	51016-000005	Support Leg Bracket	2
13	90001-000041	M8 x 16 Hexagon Flange Bolt	6
14	51014-000005	Support Leg	2
15	90001-000023	M6 x 16 Hexagon Flange Bolt	2
16	51198-000009	Sealing Strip, 100 x 100 x 2	1
17	18212-000002	Sound-absorbing Cotton	1
18	71116-000001	Connecting Bolt, M8 x 1.25 x 11.5	2
19	90412-000001	Flat Washer, Ø12.2 x 27 x 2	2
20	42017-000001	Locking Washer	2
21	90412-000002	Flat Washer, Ø13 x 25 x 1	4
22	90419-000002	Butterfly Washer, Ø12.2 x 25 x 1 x 2	4
23	54122-000003	Left Seat, Handle Tube Connecting	1
24	54122-000004	Right Seat, Handle Tube Connecting	1
25	90001-000052	M8 x 45 Hexagon Flange Bolt	2
26	90001-000038	M8 x 10 Hexagon Flange Bolt	2

#	Part Number	Description	Qty.
27	54110-000011	Handle, Ø25 x 1.2	1
28	54101-000006	Handle Sheath, PMS 109C	1
29	90103-000007	M4 x 16 Screw	2
30	51002-000015	Engine base plate 1	1
31	54113-000002	Left Seat, Handle Tube Connecting	1
32	54113-000003	Right Seat, Handle Tube Connecting	1
33	90305-000011	M8 Hexagon Flange Nut	2
34	90007-000021	M8 x 20 Hexagon Flange Bolt	2
35	51198-000002	Sealing Strip, Left	1
36	71116-000002	Connecting Bolt, M8 x 1.25 x 11.5	4
37	51198-000001	Sealing Strip, 420x15x2	1
38	51198-000004	Sealing Strip, 330x10x2	3
39	51198-000010	Sealing Strip, 70x10x2	1
40	51198-000005	Sealing Strip, 153x68x2	1

FUEL TANK PARTS DIAGRAM

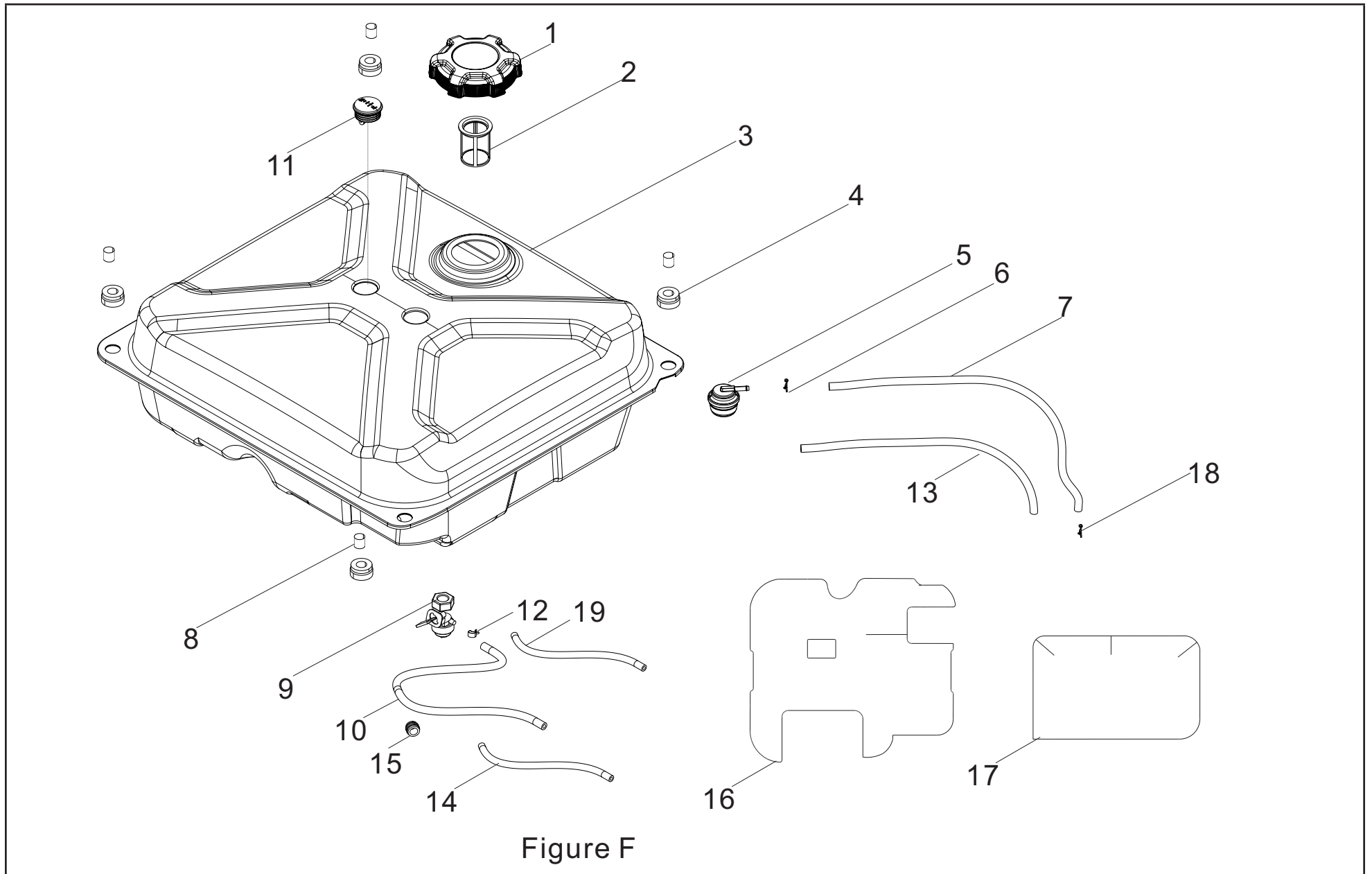


Figure F

FUEL TANK PARTS LIST

#	Part Number	Description	Qty.
1	16730-000010	Fuel Tank Cap	1
2	16652-000009	Fuel Filter	1
3	16620-000008	Fuel Tank	1
4	16601-000001	Vibration Mount, Fuel Tank	4
5	15150-000003	One Way Valve	1
6	90740-000005	Clamp, Ø9	1
7	16805-000017	Air Cleaner Connection Tube	1
8	90683-000001	Bushing	4
9	16750-000009	Fuel Valve Assembly	1
10	90686-000011	Fuel Tube, Ø4.5 x Ø8.5 x 340	1
11	37200-000012	Fuel Gauge	1
12	90685-000013	Clamp, Ø8.5 x 8 x 0.6	1
13	30431-000007	Rubber Sleeve, Ø9 x Ø11 x 300	1
14	30431-000013	Rubber Sleeve, Ø9.5 x Ø11 x 150	1
15	30431-000026	Rubber Sleeve, Ø8.5 x Ø17 x 17	1
16	82153-000006	Heat Insulation Cotton 1	1
17	82153-000007	Heat Insulation Cotton 2	1
18	90685-000002	Clamp, Ø9 x 0.8 x 8	1
19	30431-000025	Rubber Sleeve, Ø9.5 x Ø11 x 125	1

CONTROL PANEL PARTS DIAGRAM

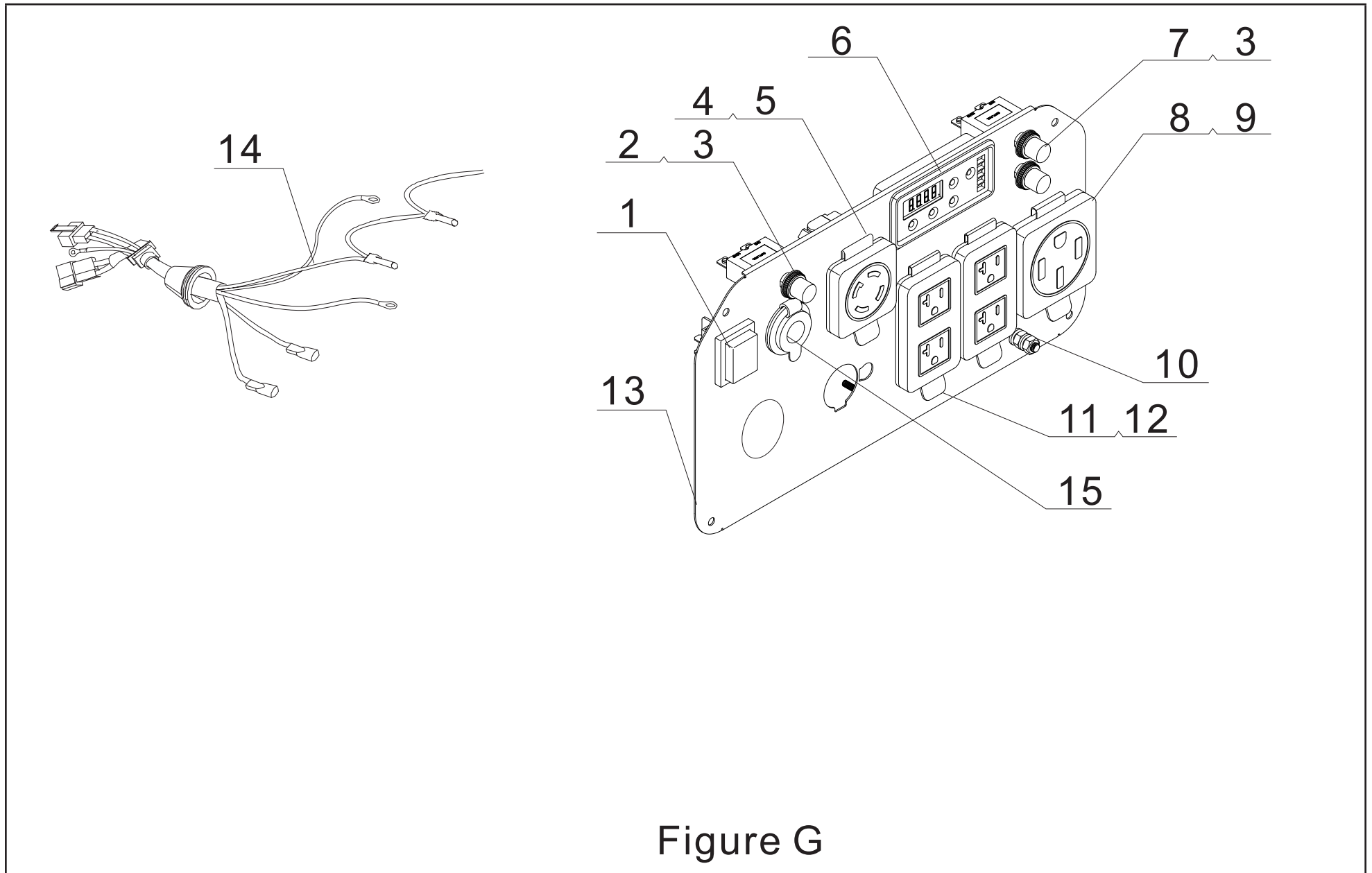


Figure G

CONTROL PANEL PARTS LIST

#	Part Number	Description	Qty.
1	35160-000011	Switch Assembly	1
2	31234-000002	Circuit Breaker, Push Button, 125/250V_8A	1
3	35654-000005	Circuit Breaker Receptacle Cover	3
4	35614-000004	Receptacle, 125V/250V/30A, L14-30	1
5	35654-000010	Receptacle Cover, L14-30	1
6	35632-000014	Intelligence INT5CINV	1
7	31234-000003	Circuit Breaker, Push Button, 125/250V_20A	2
8	35614-000012	Receptacle, 125V/250V, 14-50R	1
9	35654-000012	Receptacle Cover, 14-50R	1
10	35629-000001	Ground Terminal Assembly	1
11	35614-000018	Receptacle, 20A/125V, GFCI	2
12	35654-000013	Receptacle Cover, GFCI	2
13	35650-000035	Control Panel	1
14	35660-000039	Control Panel Cable	1
15	35619-000003	Automotive Receptacle, 12V DC	1

WIRING DIAGRAM

