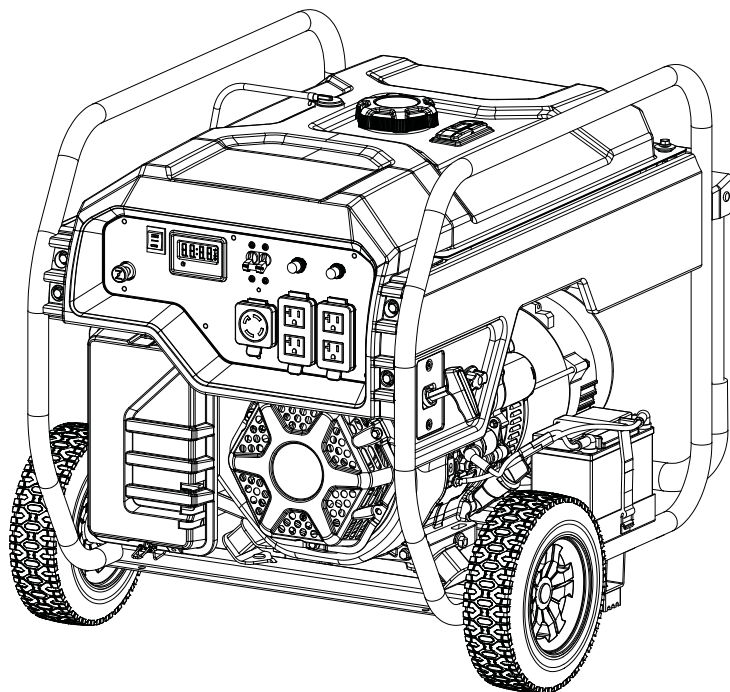




MODEL #BD201305



PARTS INFORMATION

5500W ELECTRIC START GENERATOR

SERIAL NUMBER RANGE: ALL



To order replacement parts please call:
1-888-376-7375.

TABLE OF CONTENTS

Generator Parts Diagram	3
Generator Parts List	4
Engine Parts Diagram	5
Engine Parts List	6
Cylinder Head Parts Diagram	8
Cylinder Head Parts List	9
Carburetor Parts Diagram	10
Carburetor Parts List	11
Alternator Parts Diagram	12
Alternator Parts List	13
Fuel Tank Parts Diagram	14
Fuel Tank Parts List	15
Control Panel Parts Diagram	16
Control Panel Parts List	17
Frame Assembly Parts Diagram	18
Frame Assembly Parts List	19
Wiring Diagram	20

GENERATOR PARTS DIAGRAM

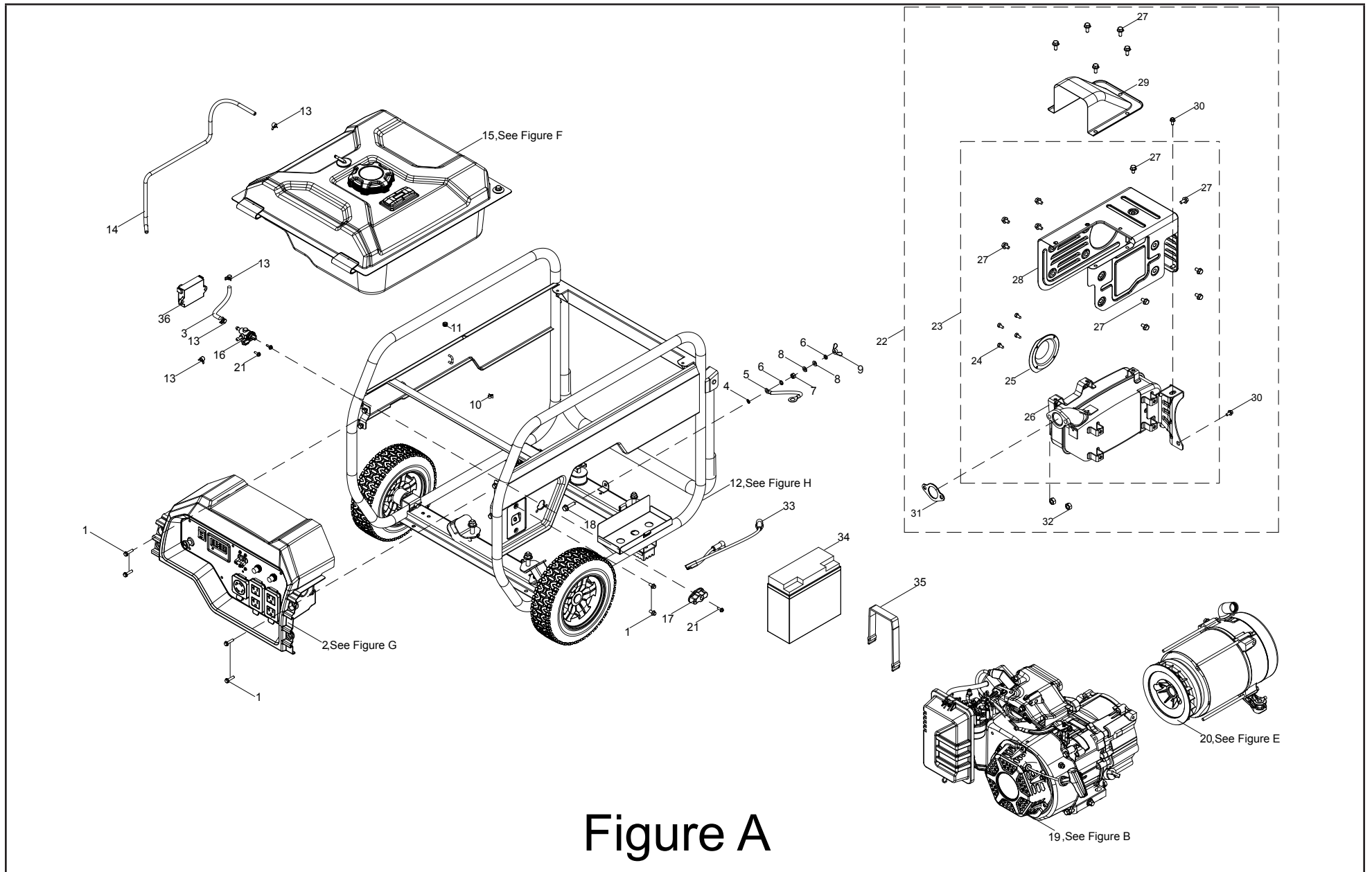


Figure A

GENERATOR PARTS LIST

#	Part Number	Description	Qty.
1	100011264-0002	Flange Bolt M6 x 16, GB5789	6
2	100780276-0001	Control Panel Assembly, See Figure G	1
3	100758331	Fuel Hose	1
4	100128826-0001	Lock Washer Ø6, Toothed	1
5	100009983	Grounding Wire	1
6	100010886-0004	Spring Washer Ø6	2
7	100011421-0003	Flange Nut M6, GB6170	1
8	100010920-0002	Flat Washer Ø6	2
9	100010828-0002	Winged Nut M6	1
10	100000667	Clamp Ø8 x 8	1
11	100009075	Rubber Damper	1
12	100785383	Frame Assembly, See Figure H	1
13	100005148	Clamp Ø8	4
14	100764317	Vent Tube	1
15	100785384	Fuel Tank Assembly, See Figure F	1
16	100781621	Fuel Switch	1
17	100780266	Oil Switch Knob	1
18	100011269-0003	Flange Bolt M6 x 28	1
19	1ZC7DC052	Engine	1
20	100785382	Alternator Assembly, See Figure E	1
21	100749867-0001	Screw, M4 x 12	3
22	100733002	Exhaust Muffler Assembly	1
23	100727429-0001	Exhaust Muffler	1
24	100147110-0002	Flange Bolt M4 x 8	4
25	100714398	Spark Arrester Assembly	1
26	100714555	Muffler Body	1
27	100097575-0001	Flange Bolt M6 x 10	15
28	100714387	Muffler Guard	1
29	100163910-0001	Shroud, Muffler	1
30	100011311-0005	Flange Bolt M8 x 16	2

#	Part Number	Description	Qty.
31	100735662	Gasket, Exhaust Pipe	1
32	100011422-0004	Flange Nut M8	2
33	100752661	Battery Connecting Wire	1
34	100765687	Battery	1
35	100765686	Battery Strap	1
36	5.1830.022	CO Shutdown Module	1

ENGINE PARTS DIAGRAM

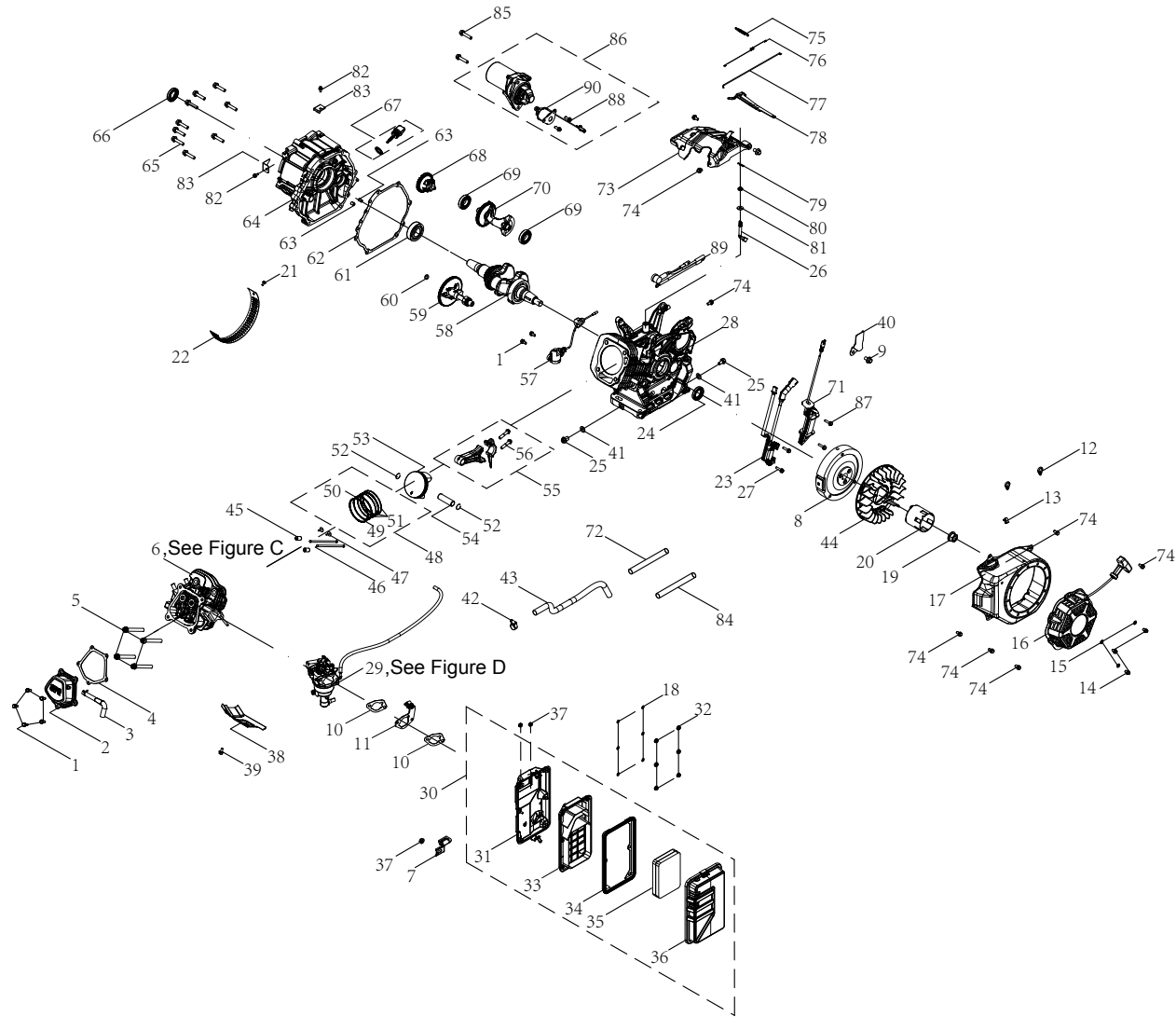


Figure B

ENGINE PARTS LIST

#	Part Number	Description	Qty.
1	100011264-0003	Flange Bolt M6 x 16, GB5789	7
2	100002337	Cylinder Head Cover	1
3	100715570	Breather Tube	1
4	100055922	Gasket, Cylinder Head Cover	1
5	100002470	Flange Bolt M10 x 1.25 x 87	4
6	100770454	Cylinder Head Assembly	1
7	100021032	Holder, Air Cleaner	1
8	100097517	Flywheel	1
9	100011213-0001	Flange Bolt M6 x 8	1
10	100145593	Gasket, Air Filter	2
11	100781846	Choke Lever Rack	1
12	100060808	Clamp	2
13	100000667	Clamp Ø8 x 8	1
14	100011565-0002	Flange Bolt M6 x 10, GB16674.1	3
15	100010920-0001	Washer Ø6	3
16	100782119-0001	Recoil Starter	1
17	100716802-0002	Fan Cover	1
18	100010430	Washer	6
19	100011460-0001	Flange Nut M16 x 1.5	1
20	100007562	Pulley, Starter	1
21	100011248-0003	Flange Bolt M5 x 10	1
22	100141250	Air Deflector	1
23	100750819	Ignition Module	1
24	100017649	Oil Seal Ø35 x Ø52 x 7	1
25	100010275	Drain Bolt, M12 x 1.5 x 15	2
26	100007980	Governor Shaft	1
27	100011269-0003	Bolt M6 x 28	2
28	100726319-0001	Crankcase	1
29	100786440	Carburetor Assembly	1
30	100781114	Air Filter Assembly	1

#	Part Number	Description	Qty.
31	100782191	Air Filter Base	1
32	100011451-0003	Nut, M5	6
33	100004878	Air Filter Separator	1
34	100004798	Gasket, Air Filter Cover	1
35	100004781	Air Filter Element	1
36	100781920	Air Filter Cover	1
37	100011452-0003	Lock Nut M6, Flange	3
38	100007097	Air Guide, Lower	1
39	100011260-0005	Flange Bolt M6 x 10	1
40	100009463	Pressing Plate	1
41	100010467	Washer Ø12 x 1.5 x Ø15	2
42	100159468-0001	Clamp, Fuel Hose	1
43	100764318	Fuel Hose	1
44	100007043	Cooling Fan	1
45	100010562	Dowel Pin Ø12 x 20	2
46	100149152	Push Rod	2
47	100149154	Lifter, Valve	2
48	100092563	Piston Ring Set	1
49	100092562	1st Piston Ring	1
50	100092561	2nd Piston Ring	1
51	100092560	Oil Ring	1
52	100003225	Circlip, Wrist Pin	2
53	100092564	Piston	1
54	100003131	Wrist Pin	1
55	100080992	Connecting Rod Assembly	1
56	100003432	Bolt, Connecting Rod	2
57	100094024	Oil Level Sensor	1
58	100726751	Crankshaft	1
59	100718216	Camshaft	1
60	100010521-0001	Washer Ø16.2 x 0.3 x Ø24	1

#	Part Number	Description	Qty.
61	100010763	Bearing TM6207	1
62	100714134	Gasket, Crankcase Cover	1
63	100010549	Dowel Pin Ø8 x 12	2
64	100729997	Cover, Crankcase	1
65	100011323-0001	Flange Bolt M8 x 38	9
66	100017653	Oil Seal Ø35 x Ø52 x 7, Spiral Grain	1
67	100004129-0008	Oil Dipstick Assembly	1
68	100008305	Gear, Governor	1
69	100010742	Bearing TM6202 - P63	2
70	100726451	Balance Shaft	1
71	100752617	Charge Coil	1
72	100713891	Sleeve	1
73	100715161	Control Assembly	1
74	100011261-0004	Flange Bolt M6 x 12, GB5789	9
75	100087179	Spring, Governor	1
76	100093022	Spring, Throttle Return	1
77	100007958	Rod, Governor	1
78	100008428	Arm, Governor	1
79	100007989	Cotter, Governor Shaft	1
80	100017631	Oil Seal Ø8 x Ø14 x 4	1
81	100010518-0001	Washer Ø8 x0.8 x Ø20	1
82	100011260-0007	Flange Bolt M6 x 10	2
83	100714294	Support, End Cover	2
84	100764321	Fuel Hose Jacket	1
85	100011320-0002	Flange Bolt M8 x 35	2
86	100752622	Starter	1
87	100033038-0002	Flange Bolt M6 x 32	2
88	100011250-0002	Flange Bolt M5 x 14	2
89	100752662	Battery Connecting Wire	1
90	100713758-0001	Starter Relay	1

CYLINDER HEAD PARTS DIAGRAM

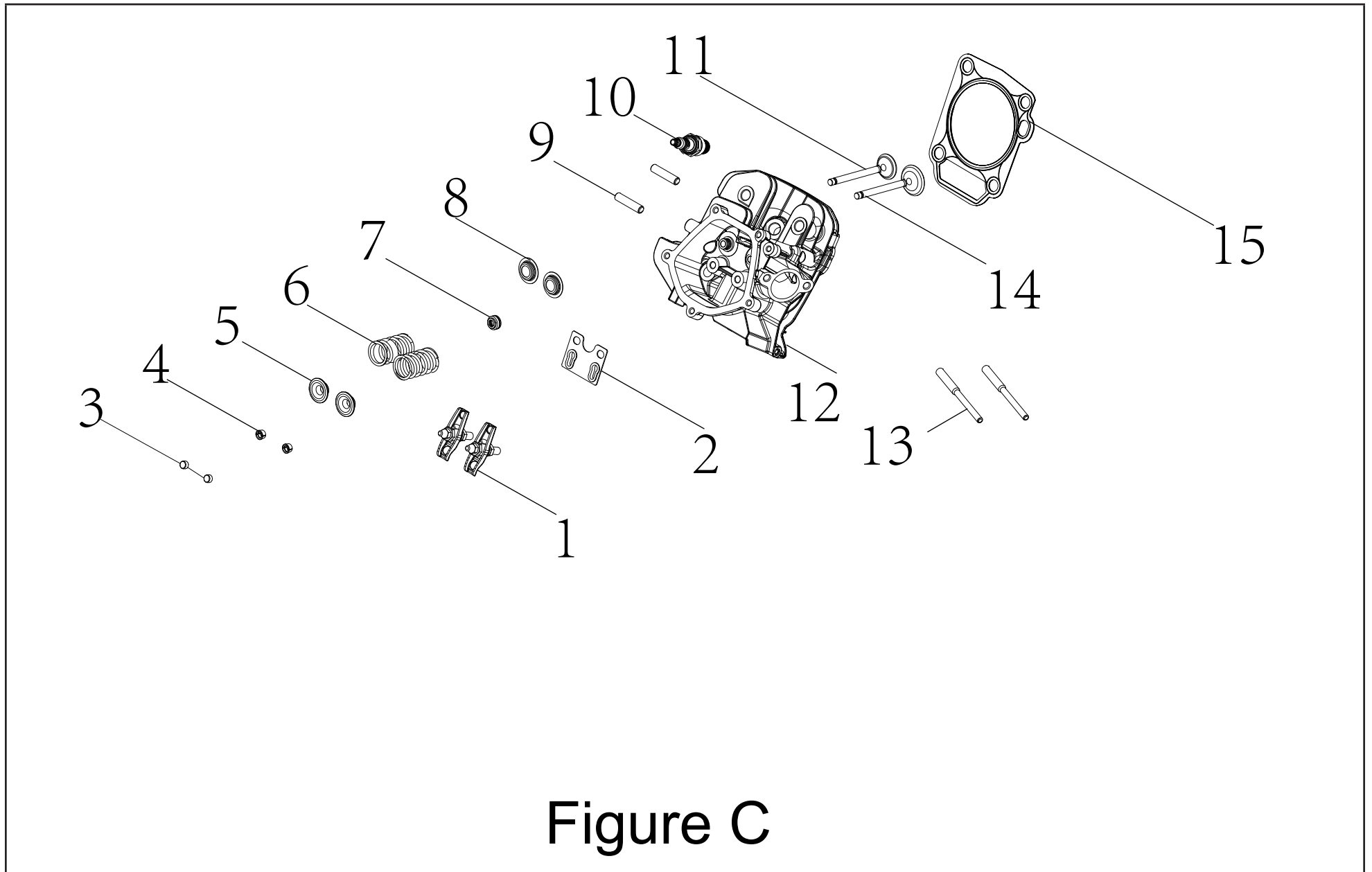
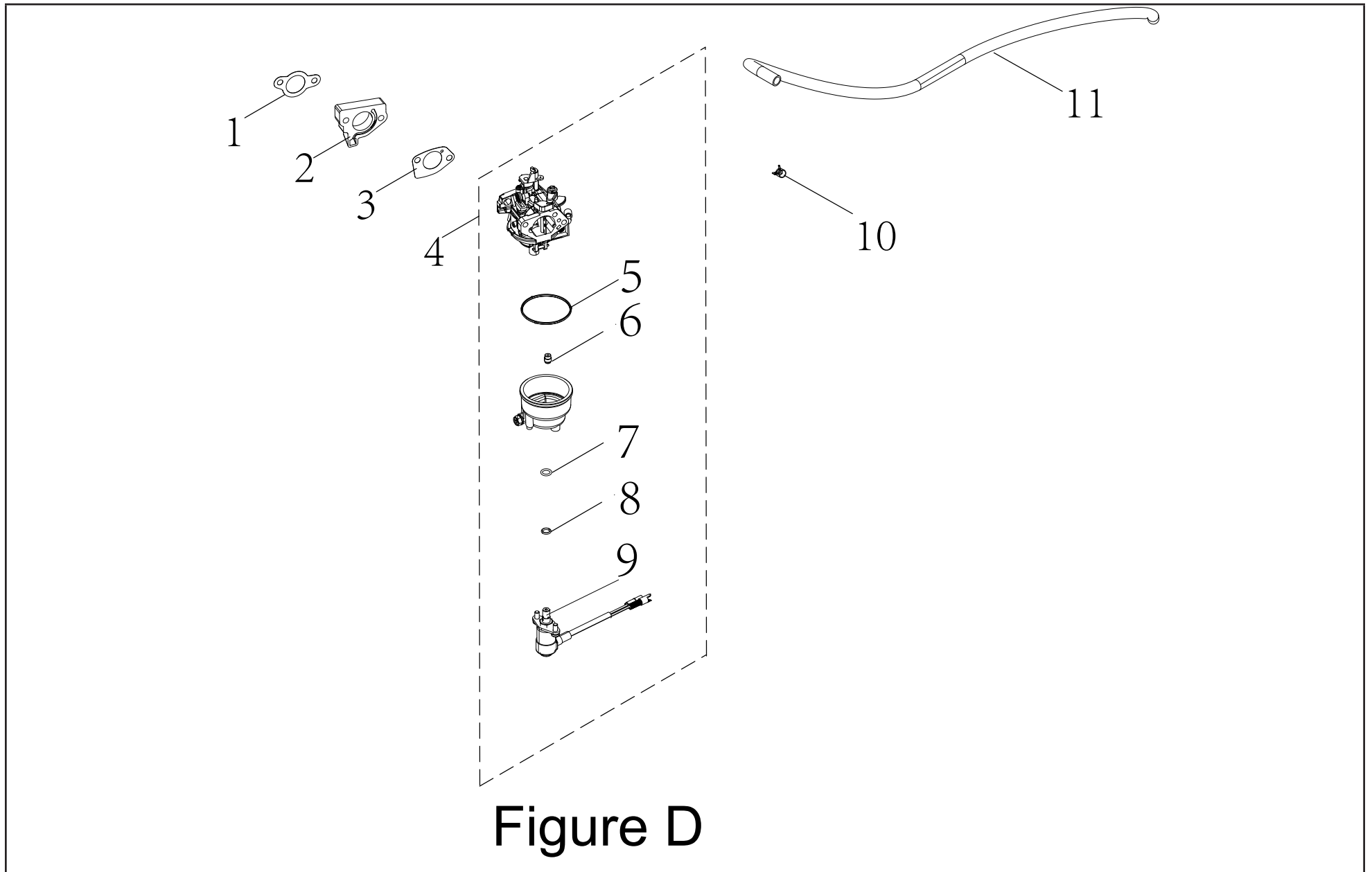


Figure C

CYLINDER HEAD PARTS LIST

#	Part Number	Description	Qty.
1	100149155	Rocker Arm Assembly	2
2	100748373	Guide Plate, Push Rod	1
3	100004589	Valve Adjust Cap, Exhaust	2
4	100004576	Valve Collet	4
5	100004516	Valve Spring Seat, Exhaust	2
6	100067633	Spring, Valve	2
7	100004602	Oil Seal, Valve	1
8	100004575	Valve Spring Seat	2
9	100010389	Stud Bolt M8 x 35	2
10	100009378	Spark Plug F6RTC	1
11	100004559	Valve, Exhaust	1
12	100755926	Cylinder Head	1
13	100010364	Stud Bolt M6-8 x 104	2
14	100004539	Valve, Intake	1
15	100092681	Gasket, Cylinder Head	1

CARBURETOR PARTS DIAGRAM



CARBURETOR PARTS LIST

#	Part Number	Description	Qty.
1	100076230	Gasket, Insulator	1
2	100005618	Insulator, Carburetor	1
3	100076228	Gasket, Carburetor	1
4	100781847	Carburetor Assembly	1
5	100085766	Fuel Bowl O-Ring	1
6	100089153	Main Jet Standard	1
	100005790	Main Jet Altitude 1000-3000m	/
7	100134226	O-Ring, Solenoid Valve Base	1
8	100134227	O-Ring, Solenoid Valve	1
9	100786723	Solenoid Valve	1
10	100005149	Clamp	1
11	100767152	Fuel Pipe, Ø4 x Ø10 x 465	1

ALTERNATOR PARTS DIAGRAM

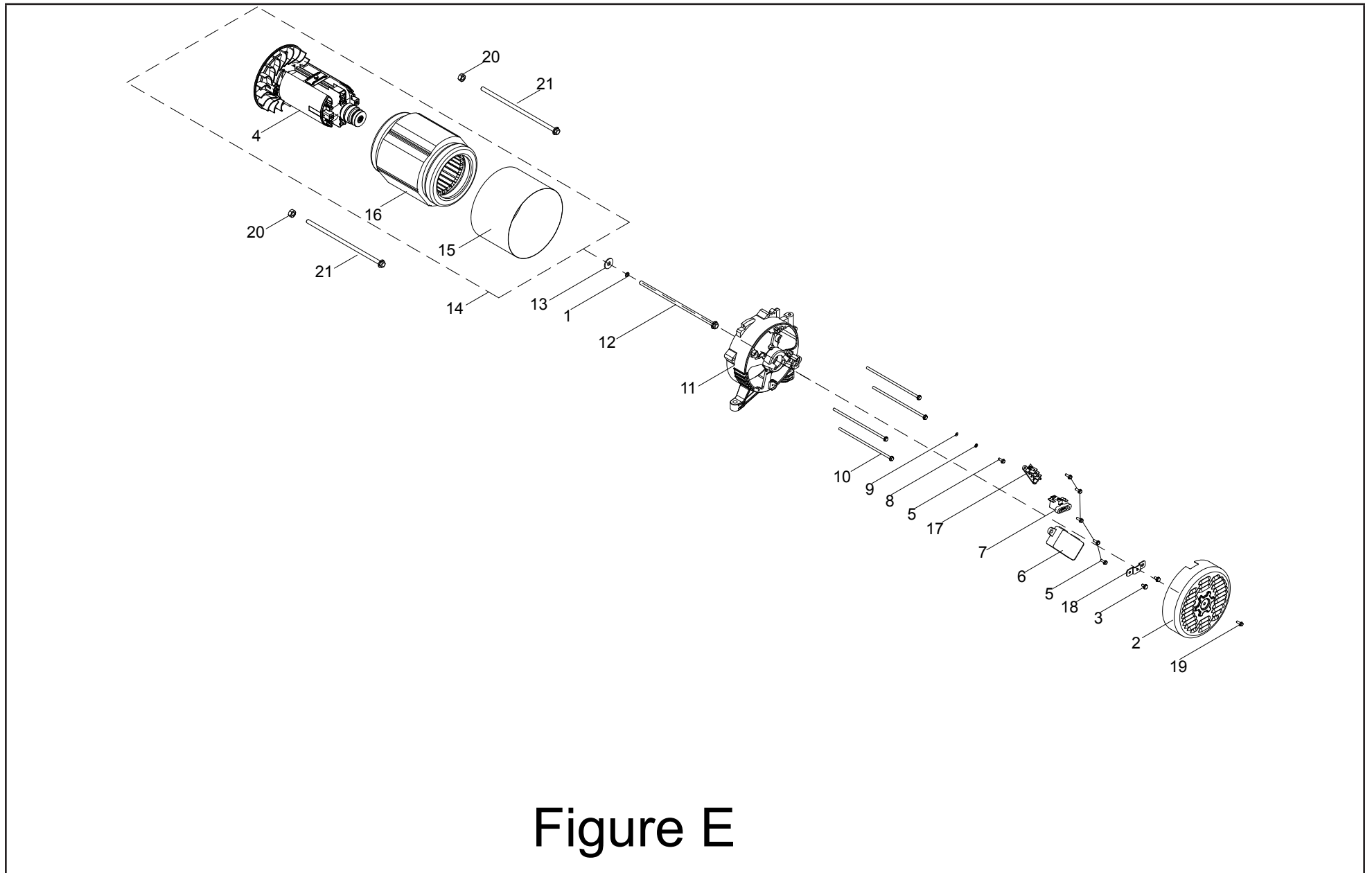


Figure E

ALTERNATOR PARTS LIST

#	Part Number	Description	Qty.
1	100010887-0004	Spring Washer Ø8	1
2	100018662-0003	Generator End Cover	1
3	100011250-0002	Flange Bolt M5 x 14	2
4	100730656	Rotor Assembly	1
5	100011252-0001	Flange Bolt M5 x 18	6
6	100749873	AVR	1
7	100018595	Carbon Brush Assembly	1
8	100010885-0004	Spring Washer Ø5	1
9	100010919-0002	Flat Washer Ø5	1
10	100011294-0001	Flange Bolt M6 x 165	4
11	100018572	End Housing	1
12	100011392-0001	Flange Bolt M10 x 1.25 x 235	1
13	100010905-0001	Washer Ø10	1
14	100727419	Alternator Assembly	1
15	100730657	Stator Cover	1
16	100730655	Stator Assembly	1
17	100018701	Terminal Block	1
18	100020167	Support Block	1
19	100011570-0007	Flange Bolt M6 x 12	1
20	100011419-0001	Nut, M5	2
21	100011407-0001	Flange Bolt M5 x 184	2

FUEL TANK PARTS DIAGRAM

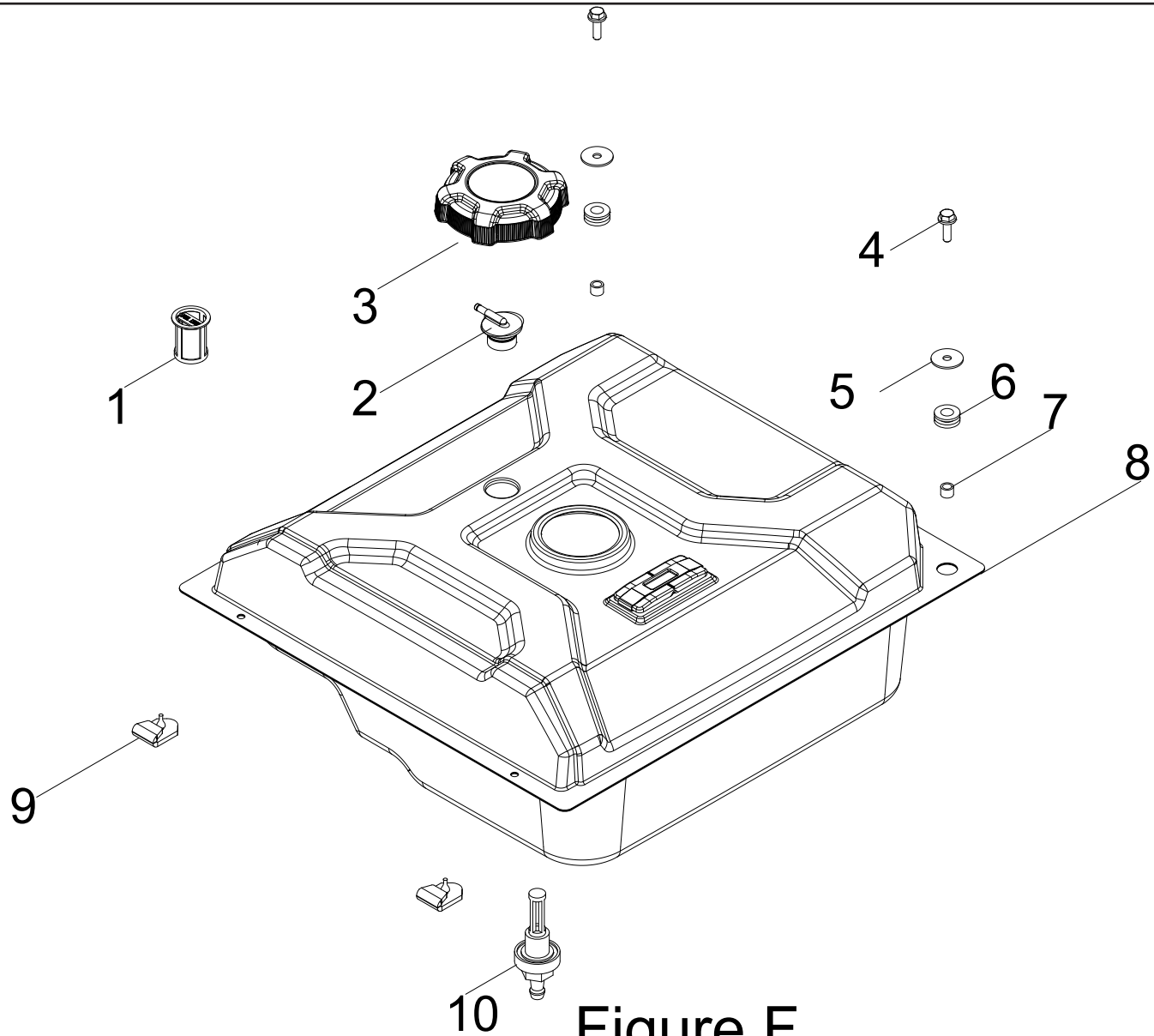


Figure F

FUEL TANK PARTS LIST

#	Part Number	Description	Qty.
1	100098838	Fuel Filter	1
2	100008968	Reversal Valve	1
3	100142004	Fuel Tank Cap	1
4	100011268-0002	Flange Bolt M6 x 25	2
5	100010439-0001	Washer Ø6.5 x 2 x Ø25	2
6	100032369	Vibration Mounting, Fuel Tank	2
7	100021118	Bushing, Ø12 x Ø9 x 13	2
8	100780274	Fuel Tank	1
9	100780265	Washer	2
10	100714546	Fuel Tank Outlet	1

CONTROL PANEL PARTS DIAGRAM

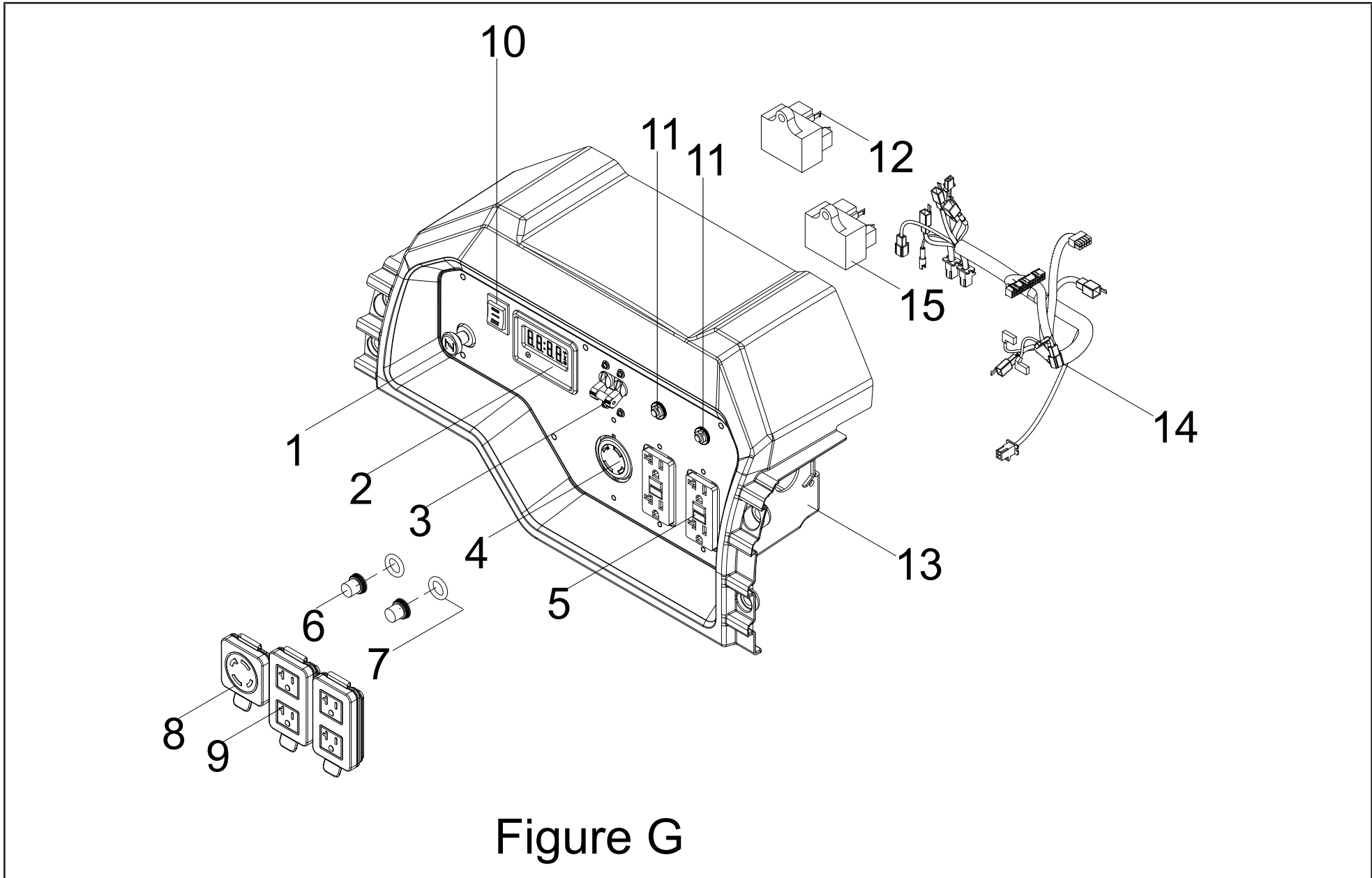


Figure G

CONTROL PANEL PARTS LIST

#	Part Number	Description	Qty.
1	100785440	Choke Assembly	1
2	100727009	Intelligauge	1
3	100019917	Breaker	1
4	100020023	Receptacle L14-30R	1
5	100052461-0001	Receptacle GFCI 5-20R, Duplex	1
6	100120180	Breaker Cover	2
7	100031552	O-Ring	2
8	100731571	Receptacle Cover, L14-30R	1
9	100731574	Receptacle Cover GFCI 5-20R, Duplex	1
10	100019771-0001	Switch	1
11	100019754	20Amp Circuit Breaker, Push Button	2
12	100728386	Overvoltage / Low Frequency Controller	1
13	100786385-0001	Control Panel Housing	1
14	100786386	Wire Harness Assembly	1
15	100724627	Charger	1

FRAME ASSEMBLY PARTS DIAGRAM

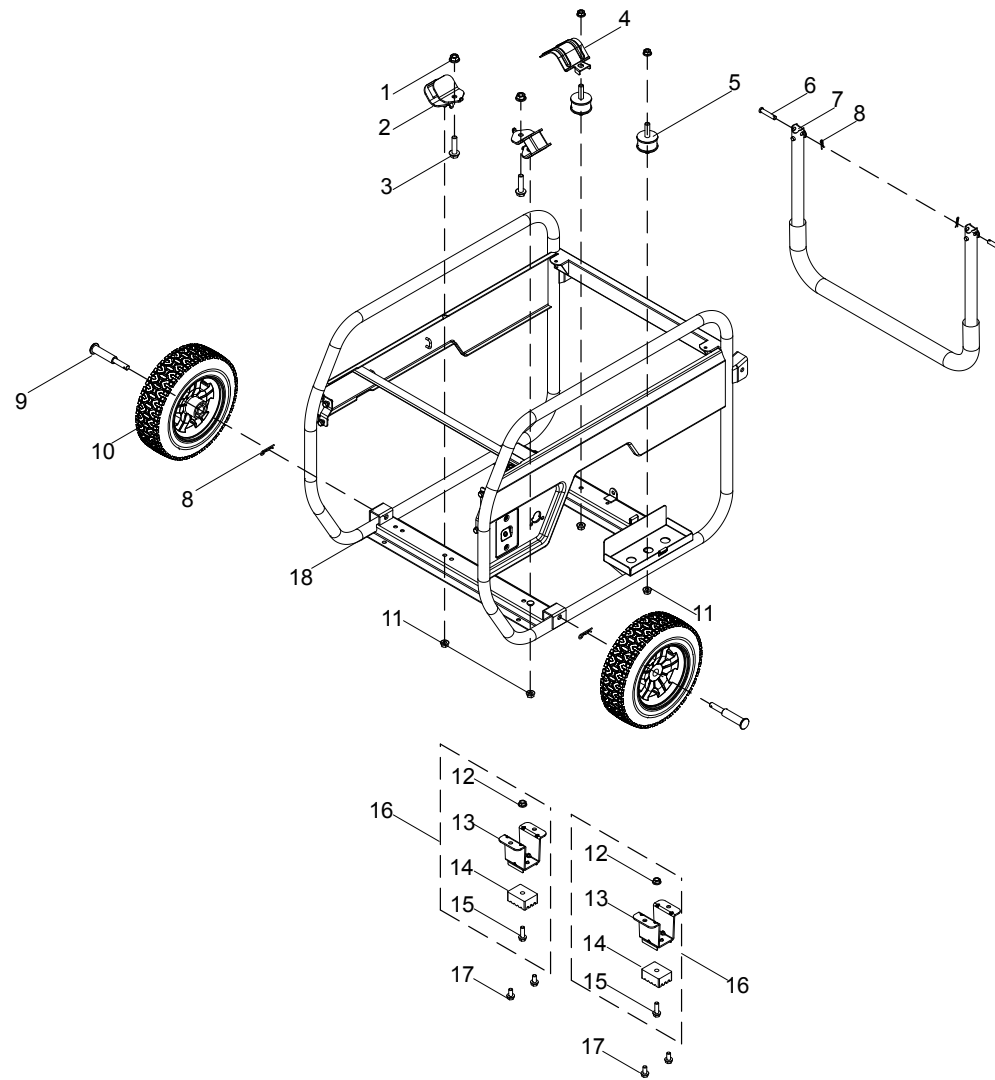


Figure H

FRAME ASSEMBLY PARTS LIST

#	Part Number	Description	Qty.
1	100011456-0003	Nut M6	4
2	100031984	Vibration Mount, Support 1	2
3	100011381-0002	Flange Bolt M10 x 1.25 x 40	2
4	100021029-0001	Protective Plate	1
5	100133704-0001	Vibration Mount, Support 2	2
6	100011047-0003	Roll Pin Ø8 x 40	2
7	100780279-0001	Handle	1
8	100714685-0001	R-pin	4
9	100714025	Roll Pin Ø10	2
10	100020700-0009	9.5 In. Wheel	2
11	100011453-0003	Nut M8	4
12	100011067-0003	Nut M6, GB889.1	2
13	100056796-0002	Support Leg	2
14	100786384	Damping Pad	2
15	100011269-0003	Flange Bolt M6 x 28	2
16	100780277-0001	Support Leg Assembly	2
17	100011311-0003	Flange Bolt M8 x16	4
18	100780275-0001	Frame (740x535x582)	1

WIRING DIAGRAM

