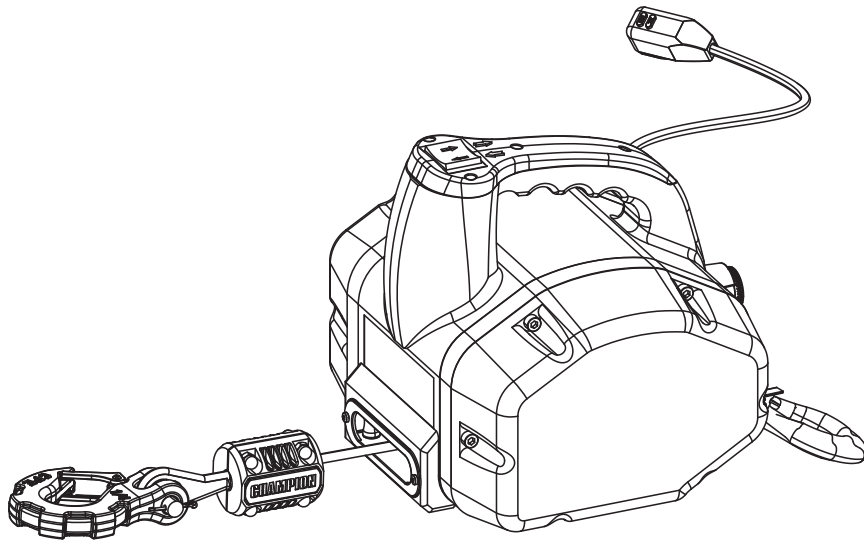




Champion Power Equipment, Inc.

MODEL #201371



PARTS INFORMATION

1100 LB. PORTABLE WINCH

SERIAL NUMBER RANGE: ALL



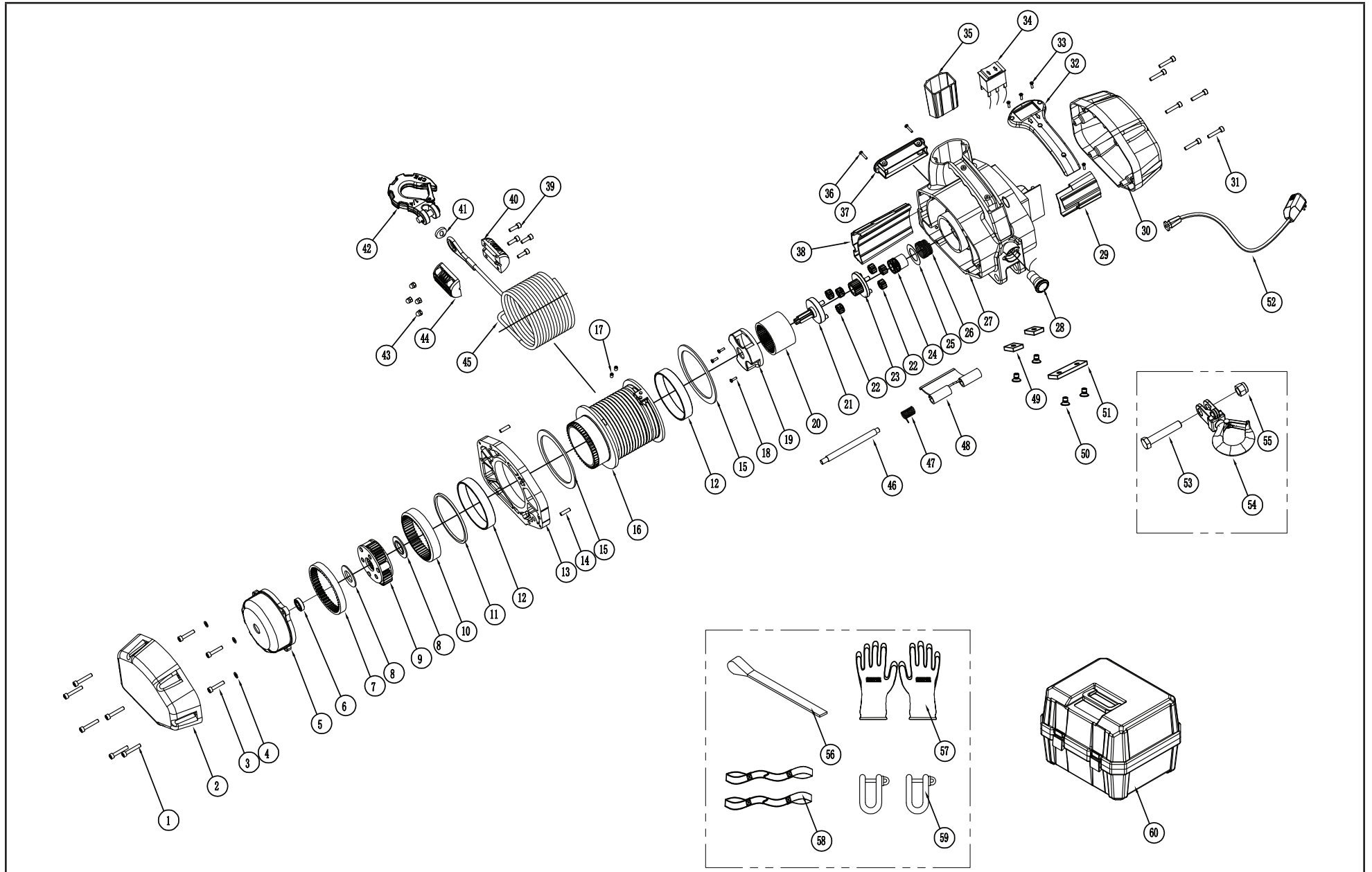
To order replacement parts please visit:
shop.championpowerequipment.com
or call **1-877-338-0999**.

TABLE OF CONTENTS

Winch Parts Diagram **3**

Winch Parts List **4**

WINCH PARTS DIAGRAM



WINCH PARTS LIST

#	Part Number	Description	Qty.
1	208102000236	M5 x 30 Screw	6
2	201028068088	Gearbox Cover	1
3	450011	M6 x 25 Screw	3
4	250002	Washer Ø6	3
5	201031900076	Gearbox Housing	1
6	208017000111	Deep Groove Ball Bearing 61900	1
7	300001-N	Gear Ring	1
8	301030000056	Anti-wear Gasket I	2
9	200006000112	3rd Planetary Gear Assembly	1
10	204069000048	Ring Gear	1
11	301030000064	Anti-wear Gasket	1
12	204017000045	Sliding Bearing I	2
13	201070068024	Bracket	1
14	208119018048	Locating Pin	2
15	301056000009	Nylon Washer	2
16	201050000034	Drum	1
17	500011	M5 x 8 Screw	2
18	208102018202	M3 x 10 Screw	3
19	201048000007	Planetary Gear Cover Plate	1
20	204069000047	1st Gear Ring	1
21	202033000145	2nd planetary wheel support plate	1
22	203035000021	1st Planetary Gear Assembly	6
23	203033000001	1st planetary wheel support plate	1
24	203019000011	Coupling	1
25	204030000023	Anti-wear Gasket	1
26	208098000066	Rectangular Spring	1
27	101001007261	Motor Assembly	1
28	104007000967	Emergency Stop Button	1
29	301057000018	Rear Insulation Sleeve	1
30	201028068089	Motor Cover	1

#	Part Number	Description	Qty.
31	208102000029	M5 x 25 Screw	6
32	301080000007	Handle and Switch Button	1
33	208102000238	M3 x 12 Screw	4
34	104014000010	Rocker Switch Assembly	1
35	301057000020	Switch Cover	1
36	208102000230	M4 x 16 Screw	2
37	200011068091	Roller Fairlead	1
38	301057000019	Front Insulation Sleeve	1
39	410018	M5 x 16 Screw	4
40	301046000020	Cable Hook Stopper (Right)	1
41	202055068083	Wire Rope Retainer	1
42	350011XL	Clevis Hook, Black	1
43	208103018003	M5 Nut	4
44	301046000019	Cable Hook Stopper (Left)	1
45	205004000380	Wire Rope Assembly Ø5.4 mm x 4.6 m	1
46	201021000006	Rope Bar	1
47	208098010051	Spring	1
48	202062010003	Press Plate	1
49	301057009017	Footing 1	2
50	208102000237	M5 x 8 Screw	4
51	301057009018	Footing 2	1
52	301057000022	Power Cable	1
53	208110011084	M12 x 65 Bolt	1
54	206086068023	Anchor Clevis Hook	1
55	208108018003	M12 Nut	1
56	410022	Hand Saver Strap	1
57	07.04.1.99.028	Gloves (Pair)	1
58	C12096	Tree Saver	2
59	C12005	D-Shackle	2
60	506100000016	Carrying Case	1