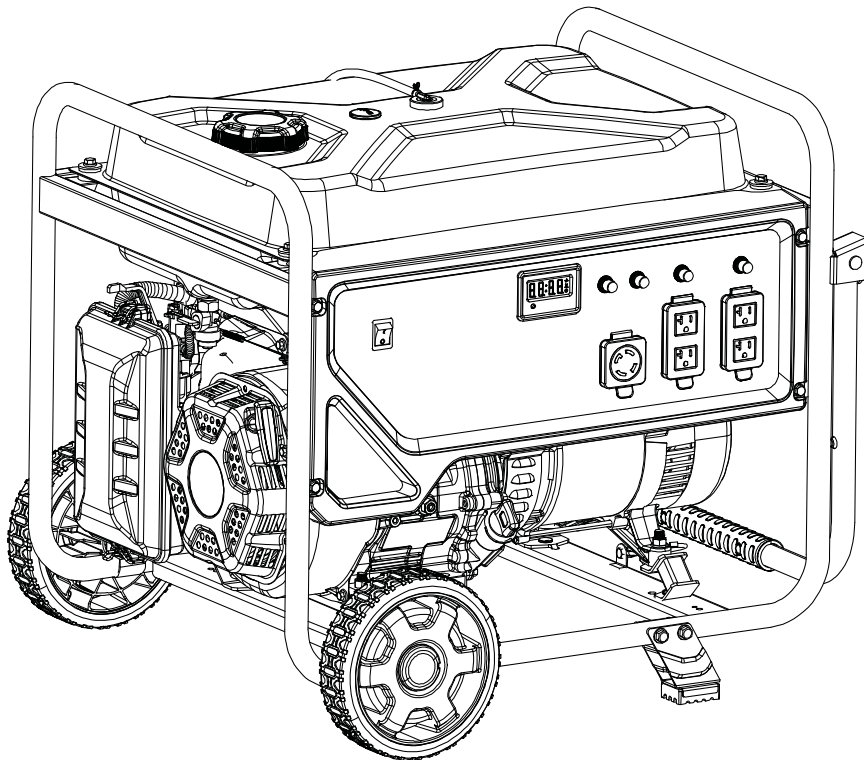




Champion Power Equipment, Inc.

MODEL #201299



PARTS INFORMATION

5500W PORTABLE GENERATOR

SERIAL NUMBER RANGE: ALL



To order replacement parts please visit:
shop.championpowerequipment.com
or call **1-877-338-0999**.

TABLE OF CONTENTS

Generator Parts Diagram	3
Generator Parts List	4
Engine Parts Diagram	5
Engine Parts List	6
Cylinder Head Parts Diagram	8
Cylinder Head Parts List	9
Carburetor Parts Diagram	10
Carburetor Parts List	11
Alternator Parts Diagram	12
Alternator Parts List	13
Fuel Tank Parts Diagram	14
Fuel Tank Parts List	15
Control Panel Parts Diagram	16
Control Panel Parts List	17
Frame Assembly Parts Diagram	18
Frame Assembly Parts List	19
Wiring Diagram	20

GENERATOR PARTS DIAGRAM

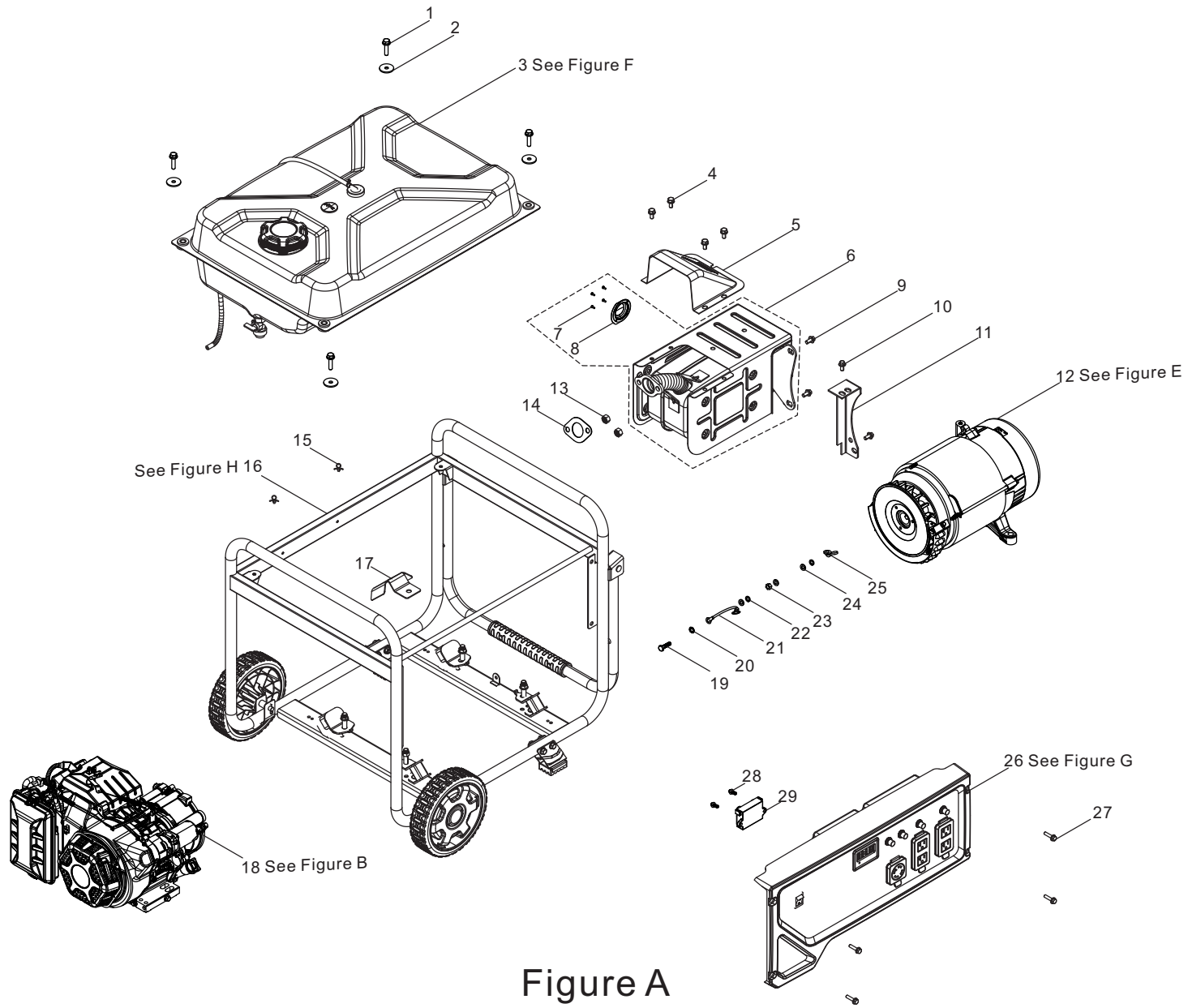


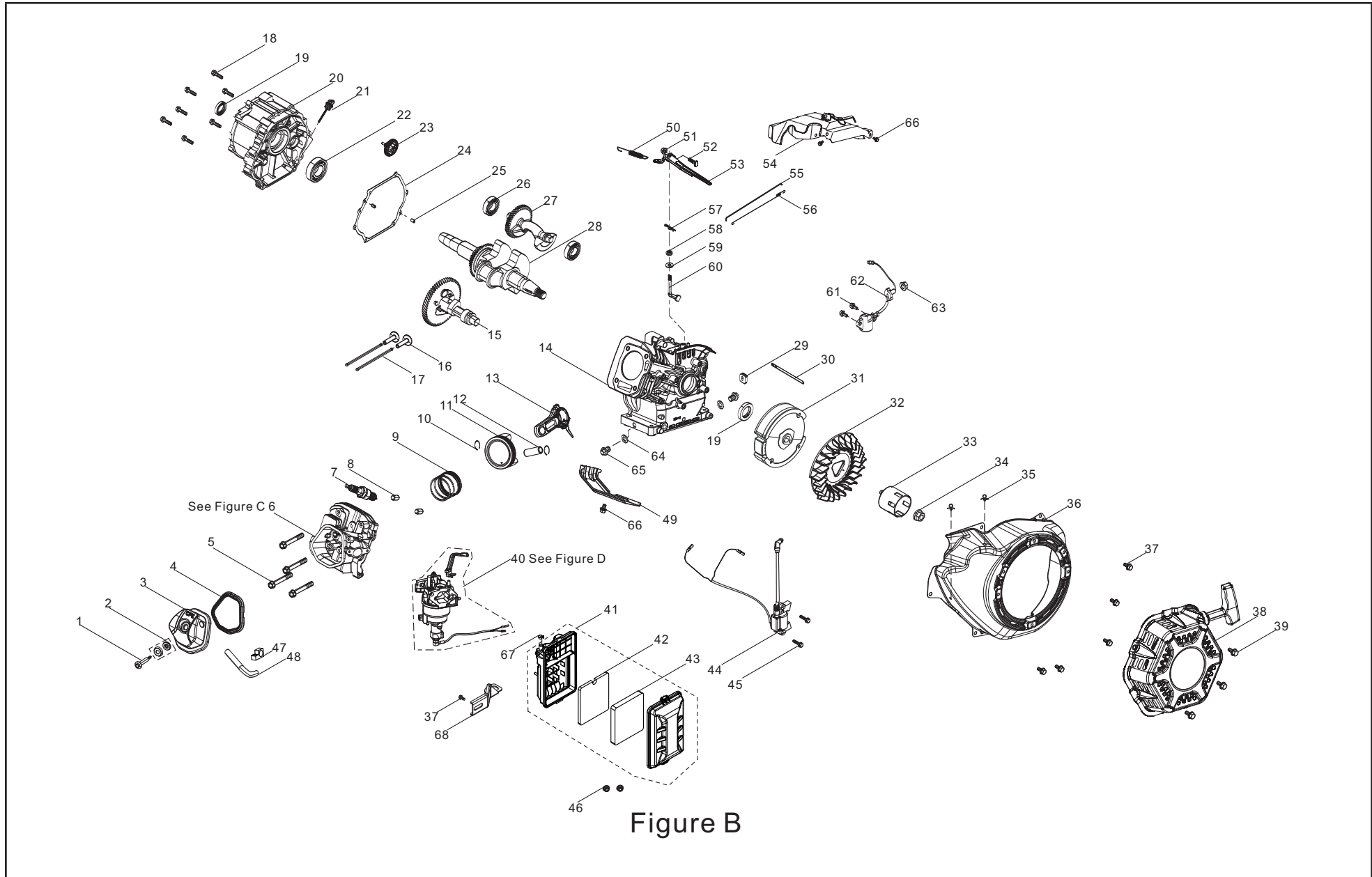
Figure A

GENERATOR PARTS LIST

#	Part Number	Description	Qty.
1	90007-000024	M6 x 25 Hex Flange Bolt, Blk Zn	4
2	90408-000008	Flat Washer, Ø6, Blk Zn	4
3	96104-Y16620-0017	Fuel Tank Assy - See Figure F	1
4	90007-000008	M6 x 12 Hex Flange Bolt, Blk Zn	4
5	80019-000002	Guide Hood, Muffler	1
6	18100-000051	Muffler Assy	1
7	90139-000001	M5 x 10 Hex Flange Bolt, White Zn	4
8	18250-000005	Spark Arrestor	1
9	90001-000041	M8 x 16 Hex Flange Bolt, Blk Zn	2
10	90001-000040	M8 x 16 Hex Flange Bolt, White Zn	2
11	18030-000007	Muffler Bracket, White Zn	1
12	96114-Y31300-0015	Alternator Assy - See Figure E	1
13	90303-000006	M8 Hex Nut, Blk Zn	2
14	18001-000004	Exhaust Outlet Gasket	1
15	90684-000005	Clip, Ø8	2
16	96103-Y51100-0024	Frame Assy - See Figure H	1
17	24329-000004	Block 1	1
18	96100-R390MR00-01	Engine - See Figure B	1
19	90001-000027	M6 x 25 Hex Flange Bolt, Blk Zn	1
20	90415-000001	Lock Washer, Ø6, Toothed, Blk Zn	1
21	30009-000002	Grounding Wire	1
22	90403-000003	Spring Washer, Ø6, Blk Zn	2
23	90303-000003	M6 Flange Nut, Blk Zn	1
24	90408-000006	Flat Washer, Ø6, Blk Zn	3
25	90312-000001	M6 Wing Nut, Blk Zn	1
26	35610-000169	Control Panel Assy - See Figure G	1

#	Part Number	Description	Qty.
27	90007-000012	M6 x 16 Hex Flange Bolt, Blk Zn	4
28	90124-000003	Tapping Screw, PT5×16	2
29	35720-000004	Co Alarm	1

ENGINE PARTS DIAGRAM



ENGINE PARTS LIST

#	Part Number	Description	Qty.
1	12032-000001	Cylinder Head Cover Bolt, Ø10 x 46, White Zn	1
2	12034-000001	Cylinder Head Cover Gasket Assy, White Zn	1
3	12410-000010	Cylinder Head Cover Assy, White Zn	1
4	12004-000003	Cylinder Head Cover Gasket	1
5	12003-000004	M10 x 80 Cylinder Head Bolt	4
6	96101-Z120410-0022	Cylinder Head Assy - See Figure C	1
7	30010-000001	Spark Plug, F6RTC	1
8	90502-000008	Pin, 12 x 20	2
9	13200-000003	Piston Ring Assy	1
10	13122-000002	Piston Pin Clip	2
11	13111-000006	Piston	1
12	13121-000004	Piston Pin, Ø20 x Ø14.75 x 62	1
13	13010-000003	Connecting Rod	1
14	11310-000006	Crankcase Assy	1
15	14200-000004	Camshaft Assy	1
16	14081-000003	Valve Lifter	2
17	14070-000003	Valve Rod	2
18	90001-000050	M8 x 40 Hex Flange Bolt, White Zn	7
19	90682-000011	Oil Seal, Ø35 x Ø52 x 7	2
20	11411-000005	Crankcase Cover	1
21	15010-000008	Oil Dipstick Assy	1
22	90547-000012	Bearing, 6207	1
23	16400-000005	Governor Gear Assy	1
24	11001-000003	Crankcase Gasket	1
25	90502-000002	Pin, 8 x 12	2
26	90548-000002	Bearing, 6202	2
27	13401-000002	Balancing Shaft	1
28	13300-000006	Crankshaft Assy	1
29	28101-000001	Rubber Plug	1
30	90684-000001	Clip, L=130	1

#	Part Number	Description	Qty.
31	13510-000006	Flywheel Assy	1
32	19352-000008	Cooling Fan, Engine	1
33	28002-000006	Starter Pulley, White Zn	1
34	13501-000002	Flywheel Nut, M16 x 1.5, White Zn	1
35	90684-000004	Clip, Ø5.7	2
36	28110-000010	Shroud	1
37	90001-000019	M6 x 12 Hex Flange Bolt, Blk Zn	6
38	28200-000023	Recoil Starter Assy	1
39	90251-000001	M6 x 8 Hex Flange Bolt, Blk Zn	3
40	96003-Z16100-0040	Carburetor Assy - See Figure D	1
41	17100-000034	Air Cleaner	1
42	17151-000001	Element, Air Cleaner	1
43	17151-000002	Element 1, Air Cleaner	1
44	30400-000027	Ignition Coil	1
45	90001-000028	M6 x 28 Hex Flange Bolt, White Zn	2
46	90305-000008	M6 Hex Flange Nut, Blk Zn	2
47	90804-000001	Stop Block	1
48	17004-000005	Breather Tube	1
49	19304-000004	Cylinder Body Shroud	1
50	16063-000010	Governor Spring	1
51	90305-000007	M6 Hex Flange Nut, White Zn	1
52	16072-000001	Governor Support Bolt, M6 x 21, White Zn	1
53	16070-000002	Governor Support Assy, White Zn	1
54	16520-000025	Throttle Control Assy, White Zn	1
55	16062-000008	Governor Rod, White Zn	1
56	16012-000003	Throttle Valve Returning Spring	1
57	90501-000005	Pin, White Zn	1
58	90682-000007	Oil Seal, Ø8 x Ø14 x 4	1
59	90412-000004	Washer, Ø8.4 x Ø19.5 x 0.8	1
60	16061-000004	Governor Arm	1

#	Part Number	Description	Qty.
61	90001-000022	M6 x 16 Hex Flange Bolt, White Zn	2
62	37060-000006	Engine oil Sensor	1
63	90305-000014	M10 Hex Flange Nut, White Zn	1
64	90412-000003	Washer, Ø12 x Ø21 x 2	2
65	11007-000003	Drain Plug Bolt, M12 x1.5 x18, White Zn	2
66	90001-000018	M6 x 12 Hex Flange Bolt, White Zn	3
67	90740-000007	Clip, Ø14 .5	1
68	17003-000013	Air Cleaner Support	1

CYLINDER HEAD PARTS DIAGRAM

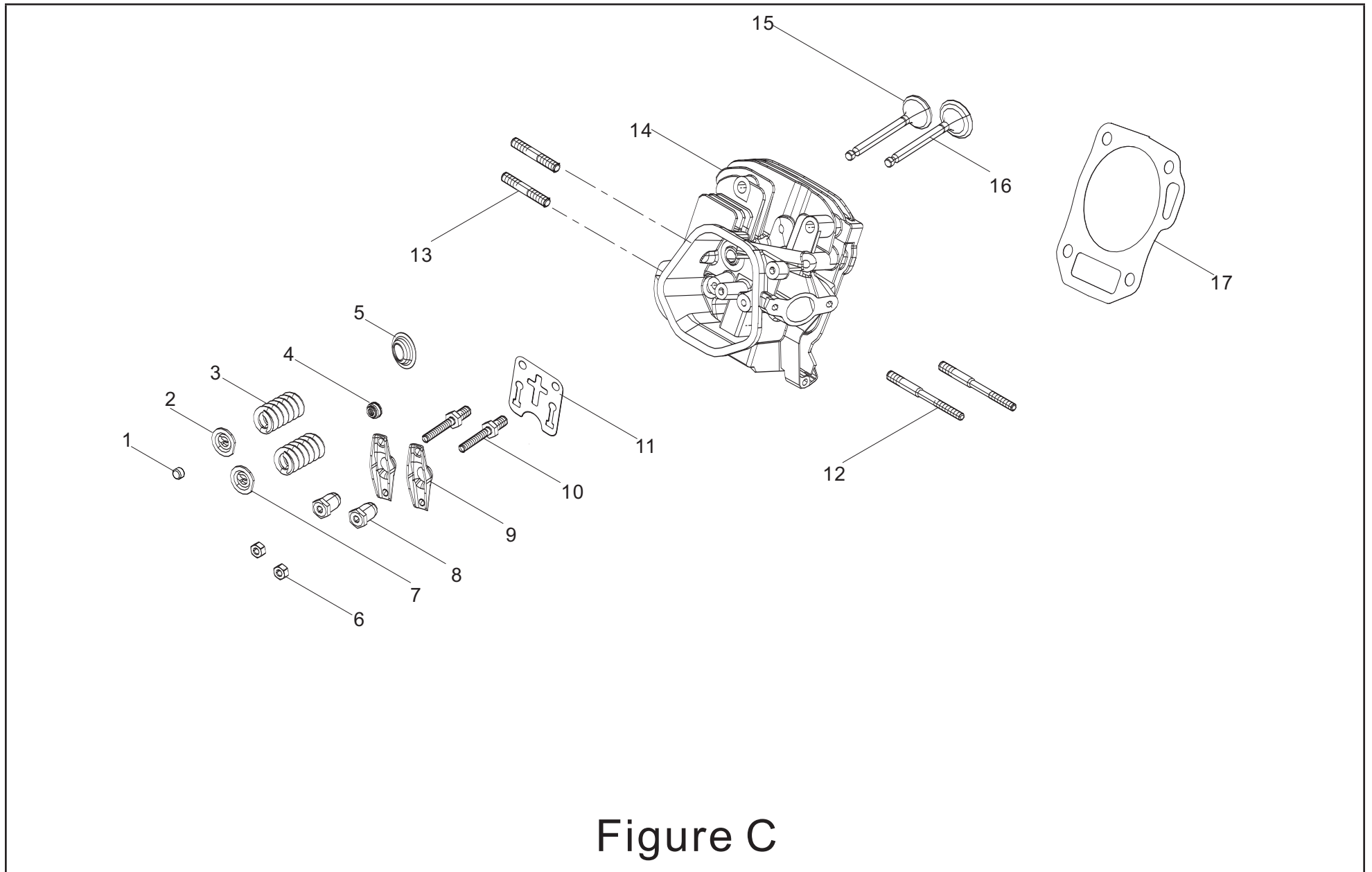


Figure C

CYLINDER HEAD PARTS LIST

#	Part Number	Description	Qty.
1	12104-000002	Valve Rotator	1
2	12107-000002	Valve Spring Retainer, Exhaust valve	1
3	12103-000002	Valve Spring	2
4	12101-000002	Seal Guide	1
5	12105-000001	Valve Spring Seat	1
6	14312-000001	Valve Lock Nut	2
7	12112-000001	Valve Spring Retainer	1
8	14314-000001	Valve Adjusting Nut	2
9	14311-000002	Valve Rocker	2
10	14313-000001	Valve Adjusting Bolt	2
11	14090-000002	Lifter Stopper Plate Subassembly, White Zn	1
12	90204-000011	Stud, M6/M8 x 110, Blk Zn	2
13	90203-000001	Stud, M8 x 34, Blk Zn	2
14	12140-000007	Cylinder Head Subassembly	1
15	12121-000007	Exhaust Valve	1
16	12111-000005	Inlet Valve	1
17	12131-000004	Cylinder Head Gasket	1

CARBURETOR PARTS DIAGRAM

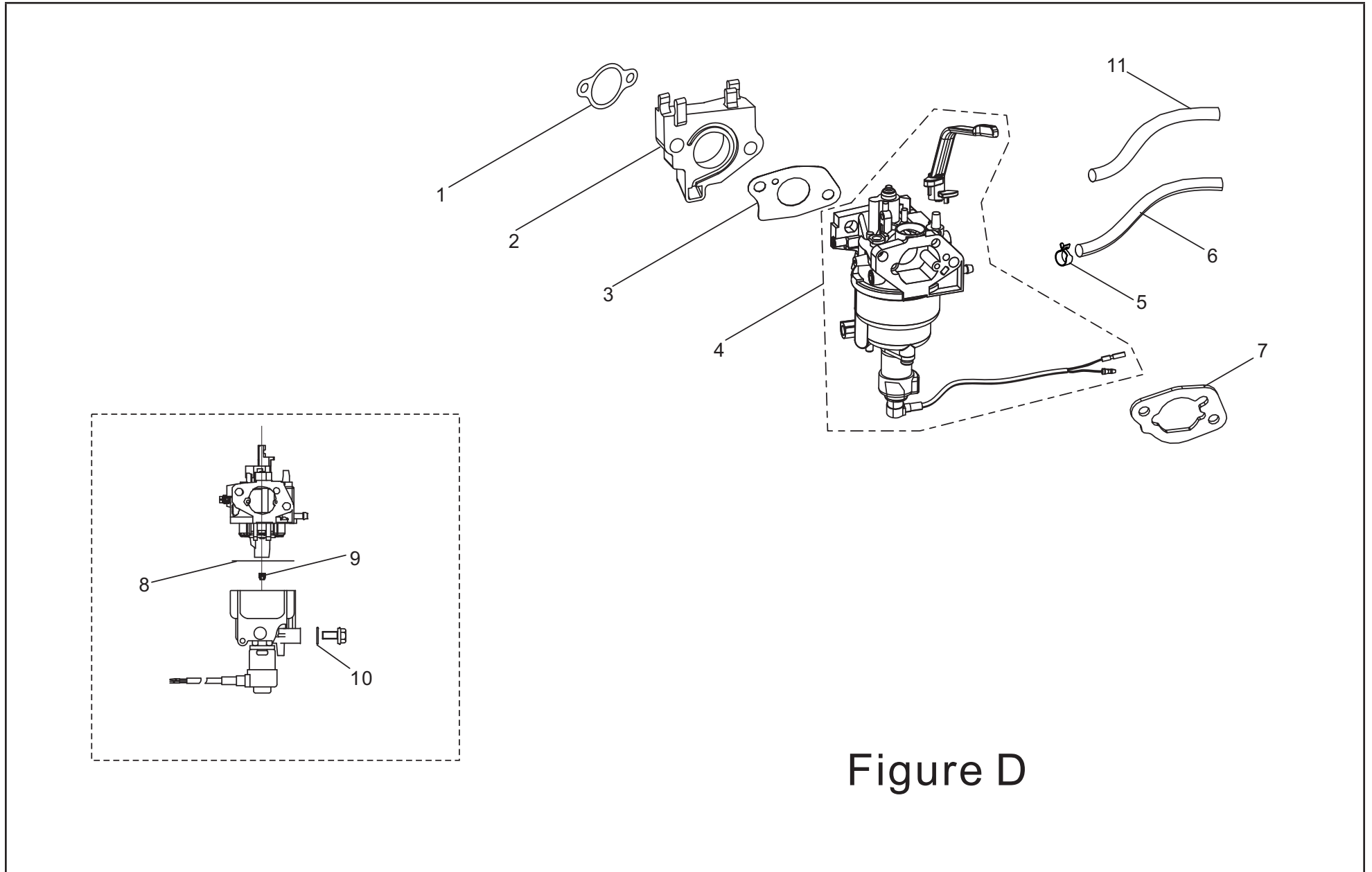


Figure D

CARBURETOR PARTS LIST

#	Part Number	Description	Qty.
1	17002-000005	Inlet Gasket	1
2	16003-000006	Carburetor Insulator Plate	1
3	16001-000003	Carburetor Gasket	1
4	16100-000015	Carburetor Assembly	1
5	90685-000012	Clamp, Ø8 x 7 x 0.6	1
6	90686-000035	Tube, Ø4.5 x Ø8.5 x 190	1
7	17001-000004	Air Cleaner Gasket	1
11	30431-000013	Rubber Sleeve, Ø9.5 x Ø11 x 150	1
8	16112-000003	Seal Ring, Float	1
9	16161-000043	Main Jet, Standard	1
	16161-000042	Main Jet, Altitude 3000-6000 Feet	1
	16161-000040	Main Jet, Altitude 6000-8000 Feet	1
10	90681-000003	Seal Ring	1

ALTERNATOR PARTS DIAGRAM

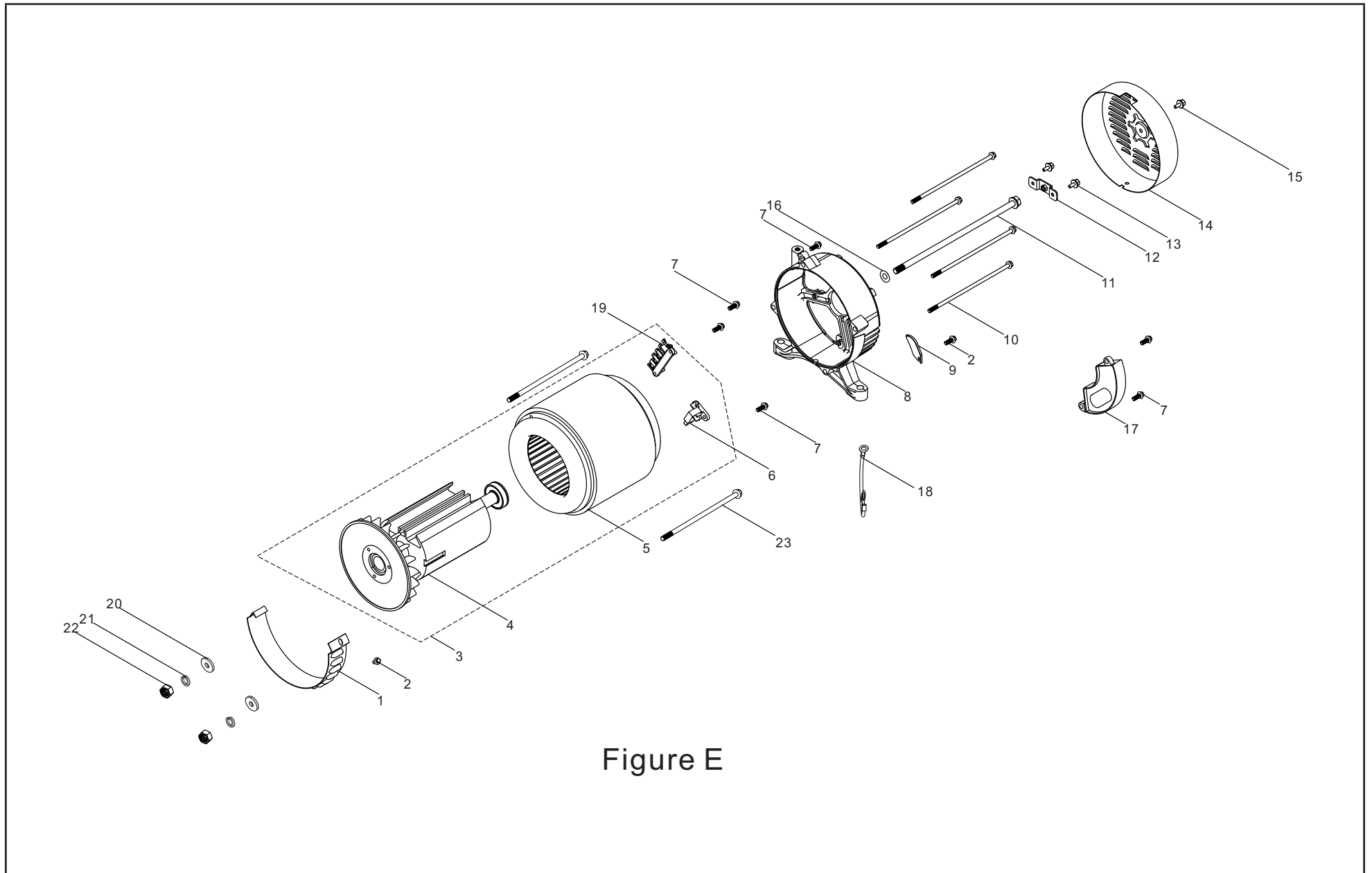


Figure E

ALTERNATOR PARTS LIST

#	Part Number	Description	Qty.
1	30024-000006	Shroud, Alternator	1
2	90001-000001	M5 x 10 Hex Flange Bolt, White Zn	2
3	31300-000034	Alternator Assy, AL, D190 x 110	1
4	31330-000015	Rotor, AL, D190 x 110	1
5	31310-000024	Stator, AL	1
6	31320-000006	Carbon Brush Assy	1
7	90001-000007	M5 x 16 Hex Flange Bolt, White Zn	6
8	30021-000005	End Housing	1
9	30023-000007	Stopper, Motor Right Cover, White Zn	1
10	30048-000008	M6 x 155 Stator Bolt, White Zn	4
11	30049-000008	M10 x 235 Rotor Bolt, White Zn	1
12	51124-000010	Mounting Bracket, White Zn	1
13	90007-000003	M5 x 12 Hex Flange Bolt, Blk Zn	2
14	30022-000009	End Housing Cover, Yellow	1
15	90001-000019	M6 x 12 Hex Flange Bolt, Blk Zn	1
16	90408-000011	Flat Washer, Ø10.4 x Ø30 x 4, White Zn	1
17	30060-000018	AVR	1
18	30009-000014	Grounding Wire	1
19	31303-000002	Terminal Block	1
20	90408-000003	Flat Washer, Ø5, White Zn	2
21	90403-000002	Standard Spring Washer, Ø5, Blk Zn	2
22	90303-000001	M5 Hex Nut, White Zn	2
23	31316-000005	M5 x 184 Stator Bolt	2

FUEL TANK PARTS DIAGRAM

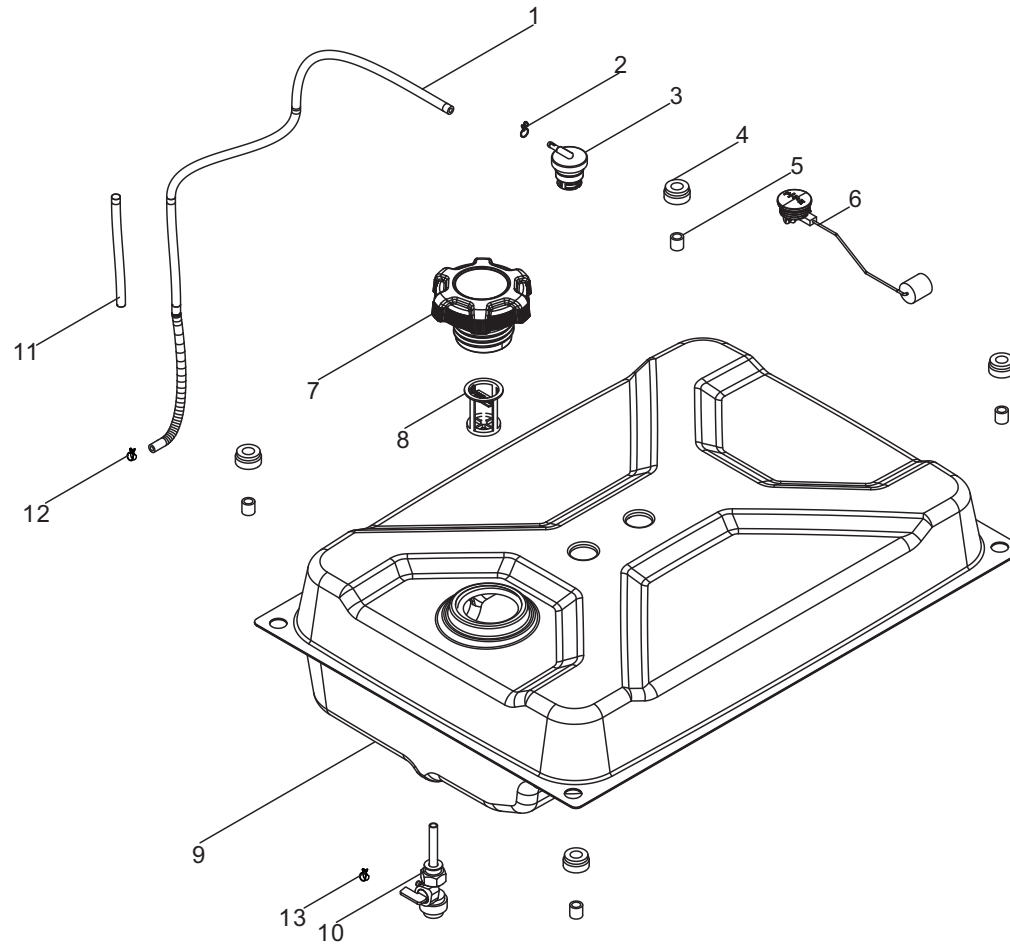


Figure F

FUEL TANK PARTS LIST

#	Part Number	Description	Qty.
1	16804-000027	Tube, Ø4.5 x Ø8.5 x 845	1
2	90740-000005	Clamp, Ø9 x 1	1
3	15150-000003	Anti-Slosh Valve	1
4	16601-000001	Vibration Mount, Fuel Tank, 12.5× Ø16	4
5	90683-000001	Bushing, White Zn, Ø8.7 x Ø12.2, White Zn	4
6	37200-000010	Fuel Gauge	1
7	16730-000010	Fuel Tank Cap	1
8	16652-000009	Fuel Filter	1
9	16620-000018	Fuel Tank	1
10	16750-000003	Fuel Valve Assy	1
11	30431-000008	Rubber Sleeve, Ø9.5 x Ø11 x 80	1
12	90685-000007	Clamp, Ø9.5×0.8×8, Blk Zn	1
13	90685-000012	Clamp, Ø8×7×0.6, Blk Zn	1

CONTROL PANEL PARTS DIAGRAM

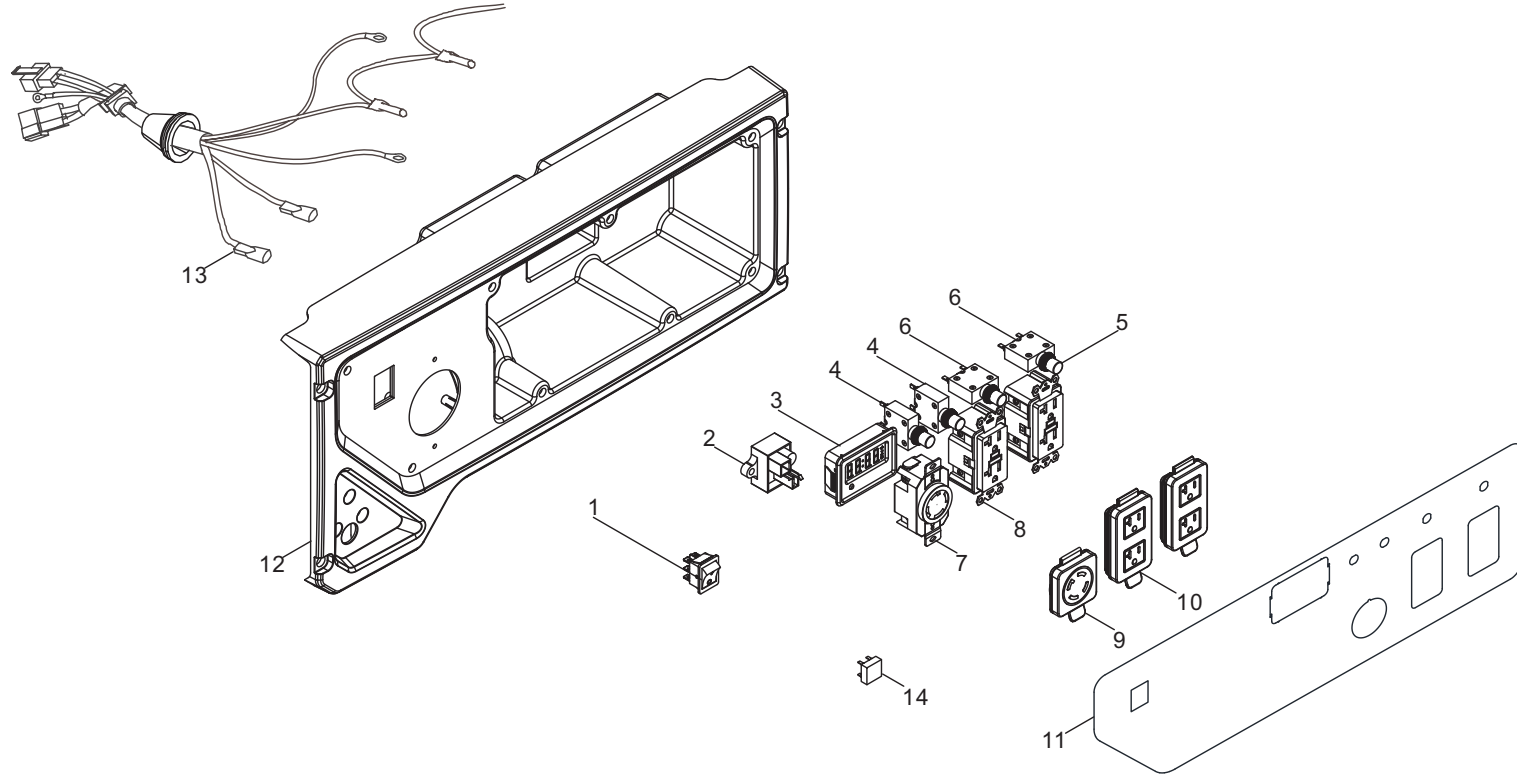


Figure G

CONTROL PANEL PARTS LIST

#	Part Number	Description	Qty.
1	35160-000002	Engine Switch Assembly	1
2	30008-000002	Control Module, OV0201	1
3	35632-000006	Display, INT1A0F	1
4	31234-000017	23Amp Circuit Breaker, Push Button, 125/250V	2
5	35654-000005	Circuit Breaker Cover	4
6	31234-000003	20Amp Circuit Breaker, Push Button, 125/250V	2
7	35614-000004	L14-30R Receptacle, 30A, 125V/250V	1
8	35614-000018	5-20R GFCI Receptacle, 20A, 125V	2
9	35654-000010	Receptacle Cover, L14-30R	1
10	35654-000013	Receptacle Cover, 5-20R	2
11	35650-000057	Control Panel	1
12	35680-000026	Control Panel Housing	1
13	35660-000066	Wiring Harness, Control Panel	1
14	35621-000001	Rectifier	1

FRAME ASSEMBLY PARTS DIAGRAM

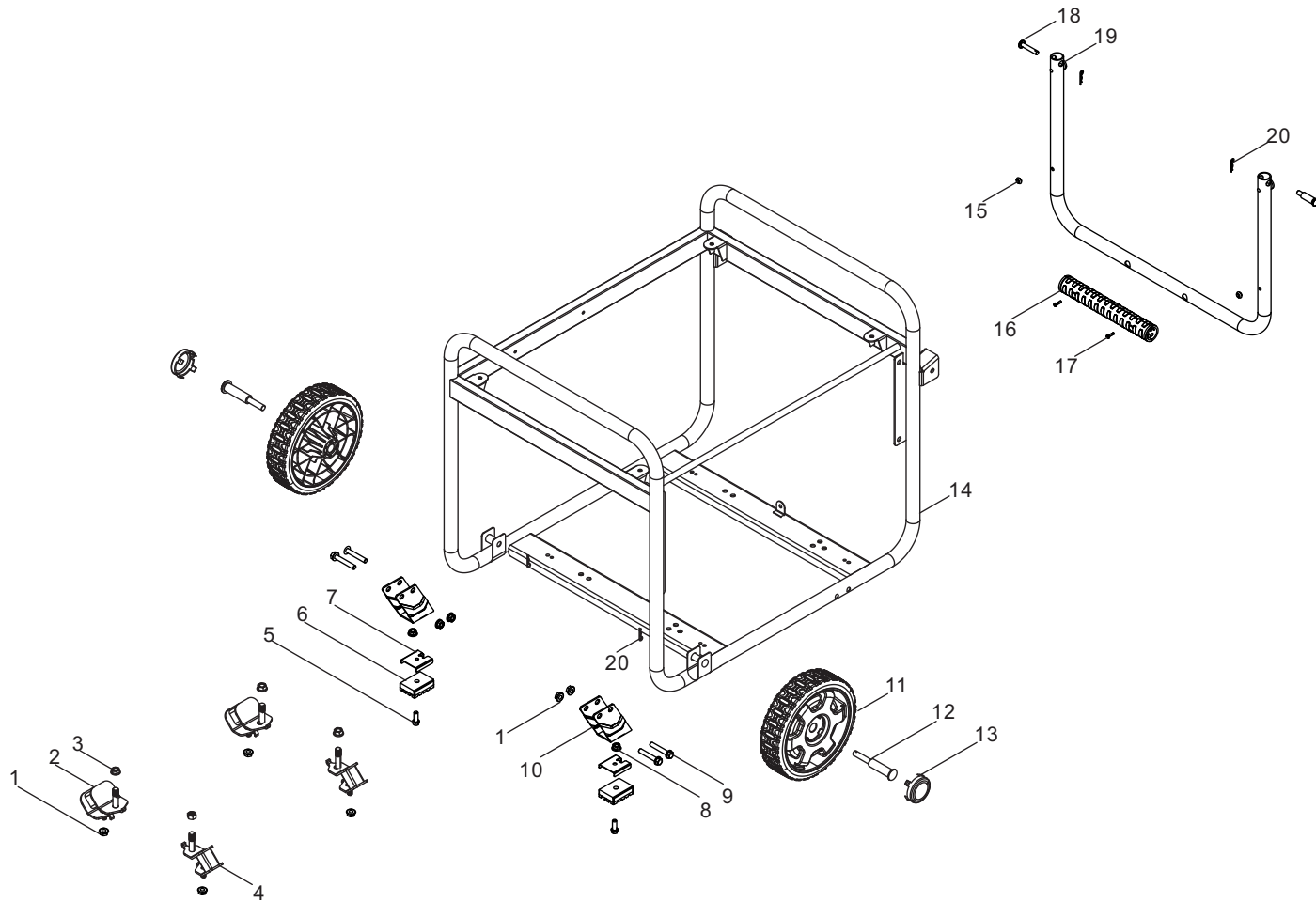


Figure H

FRAME ASSEMBLY PARTS LIST

#	Part Number	Description	Qty.
1	90305-000011	M8 Hex Flange Nut, Blk Zn	8
2	51012-000001	Rear Vibration Mount, Frame	2
3	90306-000002	M10 Hex Flange Nut, Blk Zn	4
4	51005-000004	Vibration Mount, Frame	2
5	90001-000025	M6 x 20 Hex Flange Bolt, Blk Zn	2
6	51014-000017	Vibration Mount, Support Leg	2
7	24329-000008	Block 2	2
8	90305-000008	M6 Hex Flange Nut, Blk Zn	2
9	90001-000051	M8 x 40 Hex Flange Bolt, Blk Zn	4
10	51016-000009	Support Leg	2
11	44110-000002	8in. Wheel, Yellow	2
12	44020-000010	Roll Pin, L=95, Blk Zn	2
13	44001-000003	Decorated Hub Cover	2
14	51100-000064	Frame Assy, 655 x 525 x 545	1
15	90722-000006	End Plug	2
16	54101-000006	Handle Sheath, 25 x 233	1
17	90103-000007	M4 x 16 Screw, Blk Zn	2
18	90504-000002	Pin Shaft, Blk Zn	2
19	54110-000013	Handle, 525 x 385 x 31	1
20	90583-000001	R Pin, Blk Zn	4

WIRING DIAGRAM

