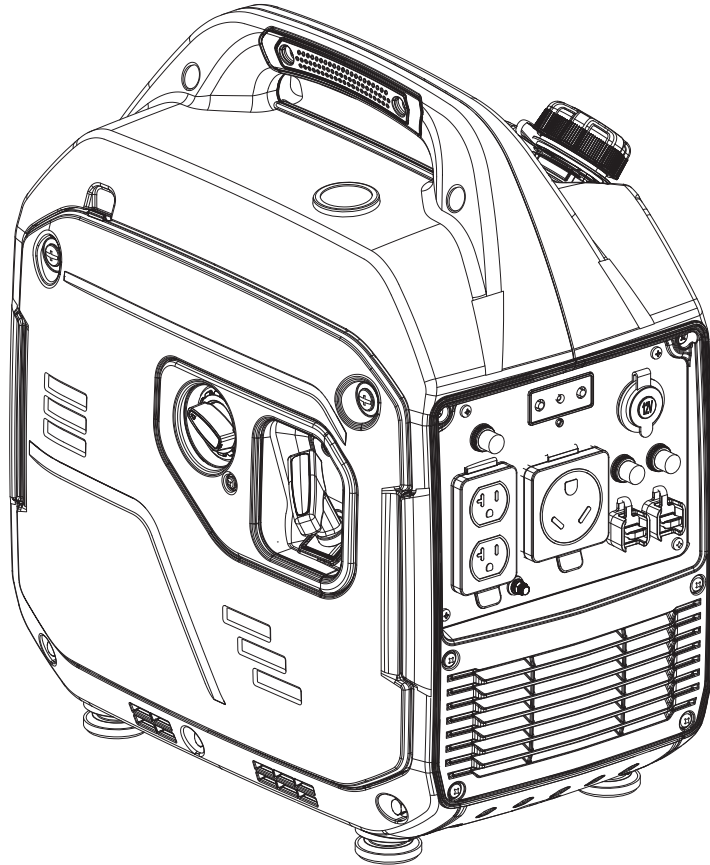




Champion Power Equipment, Inc.

MODEL #201419



PARTS INFORMATION

4000W PORTABLE INVERTER GENERATOR

SERIAL NUMBER RANGE: ALL



To order replacement parts please visit:
shop.championpowerequipment.com
or call **1-877-338-0999**.

TABLE OF CONTENTS

| | |
|--|-----------|
| Generator Parts Diagram | 3 |
| Generator Parts List | 4 |
| Engine Parts Diagram | 5 |
| Engine Parts List | 6 |
| Cylinder Head Parts Diagram | 8 |
| Cylinder Head Parts List | 9 |
| Carburetor Parts Diagram | 10 |
| Carburetor Parts List | 11 |
| Fuel Tank Parts Diagram | 12 |
| Fuel Tank Parts List | 13 |
| Control Panel Parts Diagram | 14 |
| Control Panel Parts List | 15 |
| Base Kit Parts Diagram | 16 |
| Base Kit Parts List | 17 |
| Wiring Diagram | 18 |

GENERATOR PARTS DIAGRAM

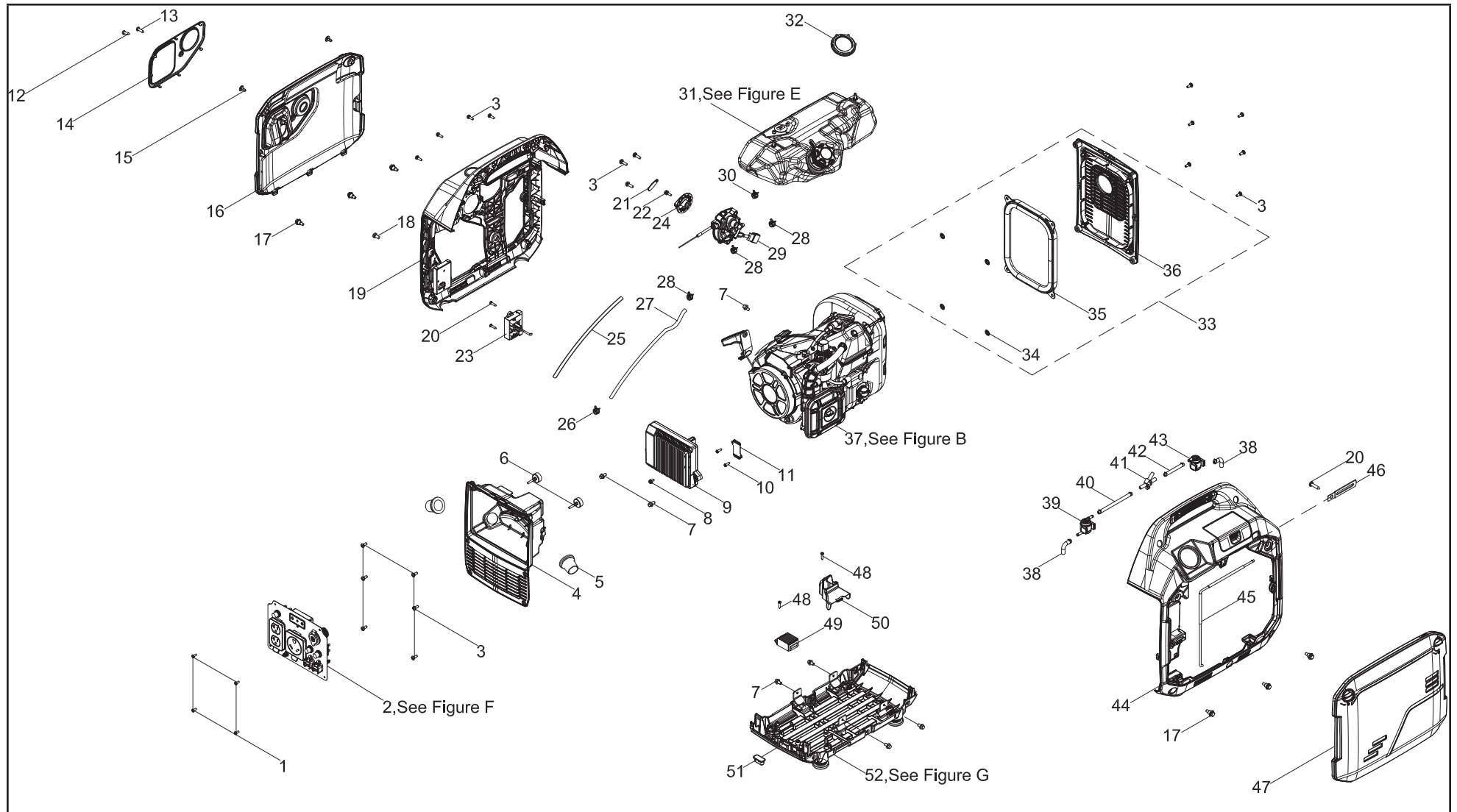


Figure A

GENERATOR PARTS LIST

| # | Part Number | Description | Qty. |
|----|----------------|---------------------------------------|------|
| 1 | 100010946-0001 | M4 x 10 Screw | 4 |
| 2 | 100797508 | Panel Assembly, See Figure F | 1 |
| 3 | 100033079-0003 | M5 x 16, Screw | 19 |
| 4 | 100797443-0001 | Front Panel, Yellow | 1 |
| 5 | 100711831 | Wire Jacket | 2 |
| 6 | 100716670 | Bumper pad | 2 |
| 7 | 100011570-0001 | M6 x 12 Big Flange Bolt | 7 |
| 8 | 100011247-0004 | M5 x 8 Flange Bolt | 1 |
| 9 | 100797506 | Inverter, 120V 60Hz | 1 |
| 10 | 100032967-0002 | Self-tapping Screw, ST4.2 x 16 | 2 |
| 11 | 100158096 | Clip Base | 1 |
| 12 | 100733485-0002 | Self-tapping Screw, ST4.2 x 13 | 1 |
| 13 | 100032967-0005 | Self-tapping Screw, ST4.2 x 16 | 1 |
| 14 | 100796683-0001 | Appearance Protect | 1 |
| 15 | 100072713-0002 | Bolt | 2 |
| 16 | 100797438-0001 | Left Cover Board Assembly | 1 |
| 17 | 100081994 | Shaft Locating Bolt | 6 |
| 18 | 100010953-0004 | M5 x 10 Screw | 1 |
| 19 | 100797439-0001 | Housing Assembly, Left Handle, Yellow | 1 |
| 20 | 100011002-0004 | Self-tapping Screw, ST4.2 x 19 | 3 |
| 21 | 100137684-0003 | M4 x 16 Flange Bolt | 1 |
| 22 | 100715786-0002 | Fuel Switch Handle Cover | 1 |
| 23 | 5.1830.022 | CO Shutdown Module | 1 |
| 24 | 100796806 | Oil Switch Knob | 1 |
| 25 | 100098274 | Tube Sheath, Silicon Resin | 1 |
| 26 | 100771620 | Clamp Ø8.5 | 1 |

| # | Part Number | Description | Qty. |
|----|----------------|--|------|
| 27 | 100798440 | Fuel Tube, L=110mm | 1 |
| 28 | 100005148 | Clamp 1, Ø8 | 2 |
| 29 | 100796816 | Switch Assembly | 1 |
| 30 | 100005159 | Clamp 2, Ø10.5 x 8 | 1 |
| 31 | 100797397 | Fuel Tank Assembly, See Figure E | 1 |
| 32 | 100008887 | Lock Nut | 1 |
| 33 | 100797442-0001 | Service Window | 1 |
| 34 | 100087972 | Retainer Ring | 4 |
| 35 | 100158130 | O-ring Seal | 1 |
| 36 | 100797956 | Rear Panel, Muffler, Black | 1 |
| 37 | 1ZC7DC029 | Engine, See Figure B | 1 |
| 38 | 100161875-0001 | Fuel Tube | 2 |
| 39 | 100158094 | Roll Over Valve | 1 |
| 40 | 100716692 | Fuel Tube, L=120mm | 1 |
| 41 | 100160310 | Fuel Tee Pipe | 1 |
| 42 | 100716690 | Fuel Tube, L=70mm | 1 |
| 43 | 100158092 | Roll Over Valve | 1 |
| 44 | 100797441-0001 | Housing Assembly, Right Handle, Yellow | 1 |
| 45 | 100786920 | Fuel Tube, L=334mm | 1 |
| 46 | 100000656 | Clip | 1 |
| 47 | 100797440-0001 | Right Cover Board Assembly | 1 |
| 48 | 100100457-0001 | M4 x 16 Screw | 2 |
| 49 | 100765371-0001 | Rectifier Bridge, Capacitance | 1 |
| 50 | 100717737-0002 | Shroud Cover | 1 |
| 51 | 100072710 | Rubber Damper | 1 |
| 52 | 100797396 | Base Assembly, See Figure G | 1 |

ENGINE PARTS DIAGRAM

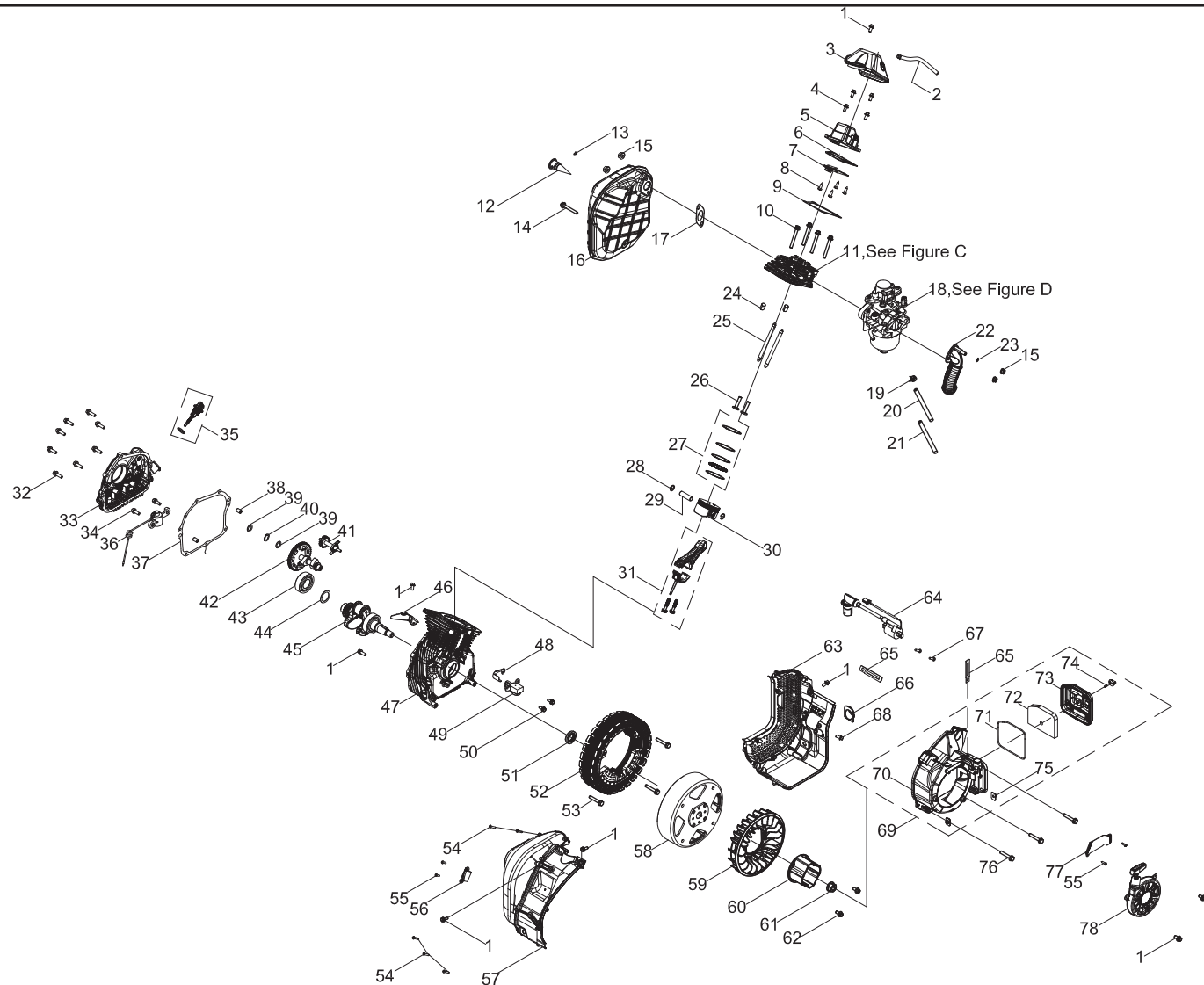


Figure B

ENGINE PARTS LIST

| # | Part Number | Description | Qty. |
|----|----------------|---------------------------------------|------|
| 1 | 100011570-0001 | M6 x 12 Big Flange Bolt | 9 |
| 2 | 100088413 | Breather Tube | 1 |
| 3 | 100797192 | Cylinder Head Cover Gasket | 1 |
| 4 | 100031968-0002 | M6 x 20 Big Flange Bolt | 4 |
| 5 | 100157081 | Cylinder Head Cover Assembly | 1 |
| 6 | 100158111 | Cylinder Cover Gasket | 1 |
| 7 | 100158112 | Valve Cover Inner Cover | 1 |
| 8 | 100005133 | M3 x 6 Cross Screw | 4 |
| 9 | 100158122 | Cylinder Head Cover Gasket | 1 |
| 10 | 100002464-0001 | M8 x 60 Flange Bolt | 4 |
| 11 | 100797891 | Cylinder Head Assembly - See Figure C | 1 |
| 12 | 100085794 | Spark Arrester Assembly | 1 |
| 13 | 100011000-0001 | Self-tapping Screw ST4.2 x 9.5 | 1 |
| 14 | 100011280-0002 | M6 x 75 Flange Bolt, GB5789 | 1 |
| 15 | 100011452-0003 | M6 Flange Lock Nut | 4 |
| 16 | 100765699 | Exhaust Muffler Assembly | 1 |
| 17 | 100751828 | Muffler Gasket | 1 |
| 18 | 100797894 | Carburetor kit - See Figure D | 1 |
| 19 | 100090871 | Clamp 1, Ø9.7 x 8 | 1 |
| 20 | 100714183 | Fuel Tube | 1 |
| 21 | 100131884 | Fuel Hose Jacket | 1 |
| 22 | 100158121 | Air Filter Hose | 1 |
| 23 | 100005150 | Clamp 2 | 1 |
| 24 | 100010558 | Dowel Pin Ø10 x 16 | 2 |
| 25 | 100760593 | Push Rod | 2 |
| 26 | 100004262 | Valve Lifter | 2 |
| 27 | 100726599 | Piston Ring Set | 1 |
| 28 | 100003220 | Circlip | 2 |
| 29 | 100722061 | Wrist Pin | 1 |
| 30 | 100781541 | Piston | 1 |

| # | Part Number | Description | Qty. |
|----|----------------|-----------------------------------|------|
| 31 | 100782826 | Connecting Rod | 1 |
| 32 | 100033100-0005 | M6 x 25 Big Flange Bolt | 8 |
| 33 | 100157091 | Crankcase Cover | 1 |
| 34 | 100031967-0007 | M6 x 16 Big Flange Bolt | 2 |
| 35 | 100084322-0003 | Oil Dipstick Assembly, Black | 1 |
| 36 | 100719270-0001 | Oil Level Sensor | 1 |
| 37 | 100158110 | Crankcase Cover Gasket | 1 |
| 38 | 100010549 | Dowel Pin Ø8 x 12 | 2 |
| 39 | 100158680 | Washer Ø14.2 x 0.5 x Ø21 | 2 |
| 40 | 100162210 | Washer, 14.2x 21x2 | 1 |
| 41 | 100724647 | Oil Thrower Gear | 1 |
| 42 | 100158125 | Camshaft | 1 |
| 43 | 100072204 | Bearing, 6205E | 1 |
| 44 | 100010527-0001 | Washer Ø25.4 x 1 x Ø34 | 1 |
| 45 | 100786015 | Crankshaft | 1 |
| 46 | 100720769 | Shroud 1 | 1 |
| 47 | 100157087 | Crankcase | 1 |
| 48 | 100720770 | Shroud 2 | 1 |
| 49 | 100765358-0001 | Trigger | 1 |
| 50 | 100055591-0006 | M6 x 12 Big Flange Bolt | 2 |
| 51 | 100017644 | Oil Seal Ø25 x Ø41.25 x 6 | 1 |
| 52 | 100797505 | Stator Assembly | 1 |
| 53 | 100076844-0001 | M6 x 38 Big Flange Bolt | 3 |
| 54 | 100011004-0001 | Cross Screw M4.2 x 25 | 5 |
| 55 | 100032967-0002 | Cross Screw M4.2 x 16 | 4 |
| 56 | 100797193 | Idle Spring | 1 |
| 57 | 100797194 | Rear Air Guide | 1 |
| 58 | 100765369-0001 | Rotor Assembly, Permanent Magneto | 1 |
| 59 | 100797191 | Cooling Fan | 1 |
| 60 | 100157090 | Starter Pulley | 1 |

| # | Part Number | Description | Qty. |
|----|----------------|--------------------------------|------|
| 61 | 100011462-0001 | M14 x 1.5 Flange Nut | 1 |
| 62 | 100011571-0001 | M6 x 14 Big Flange Bolt | 2 |
| 63 | 100797197 | Front Air Guide | 1 |
| 64 | 100765357 | Ignition Coil | 1 |
| 65 | 100000656 | Wire Clip C | 2 |
| 66 | 100784921 | Oil Seal | 1 |
| 67 | 100093250-0004 | Cross Screw M4.8 x 20 | 2 |
| 68 | 100715178-0001 | M6 x 45 Big Flange Bolt | 1 |
| 69 | 100797200 | Fan Cover Assembly | 1 |
| 70 | 100797201 | Fan Cover, Black | 1 |
| 71 | 100158177 | Air Filter Gasket | 1 |
| 72 | 100158179 | Air Filter Element | 1 |
| 73 | 100158178 | Air Filter Cover | 1 |
| 74 | 100158176 | Bolt | 1 |
| 75 | 100072994 | Lock Nut | 2 |
| 76 | 100011274-0002 | M6 x 45 Flange Bolt, GB5789 | 3 |
| 77 | 100158097 | Clip Base 1 | 1 |
| 78 | 100717807-0001 | Recoil Starter Assembly, Black | 1 |

CYLINDER HEAD PARTS DIAGRAM

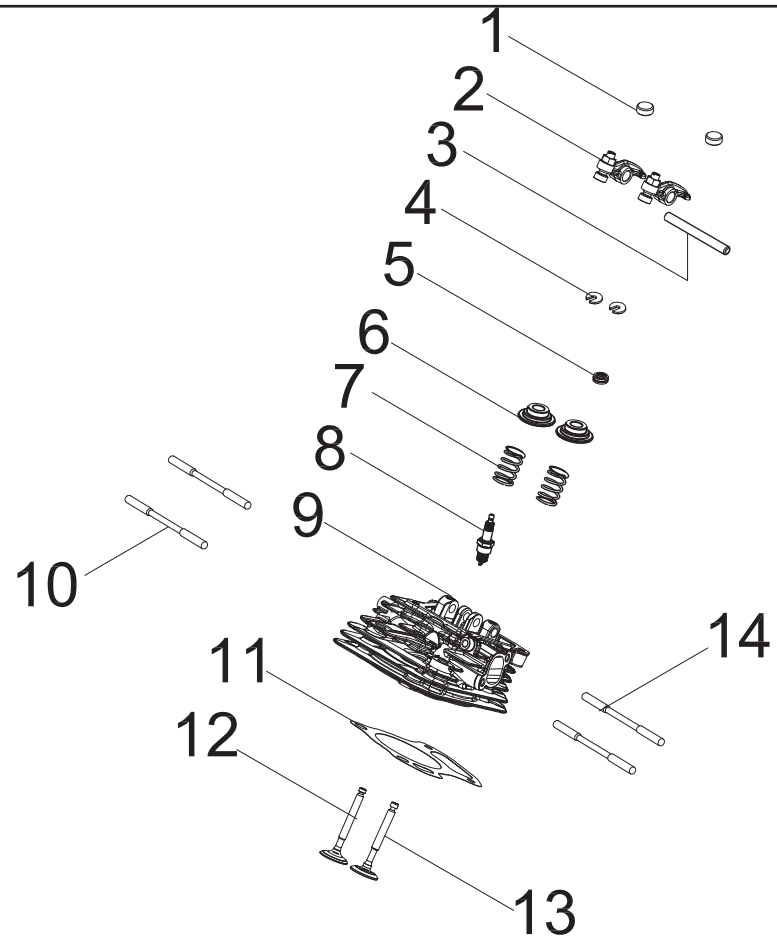


Figure C

CYLINDER HEAD PARTS LIST

| # | Part Number | Description | Qty. |
|----|----------------|--------------------------|------|
| 1 | 100760592 | Exhaust Valve Adjust Cap | 2 |
| 2 | 100760595 | Rocker Arm Assembly | 2 |
| 3 | 100158127 | Rocker Arm Shaft | 1 |
| 4 | 100075055 | Valve Collet | 2 |
| 5 | 100758247 | Oil Drip Pan | 1 |
| 6 | 100075056 | Valve Spring Seat, 148F | 2 |
| 7 | 100159357 | Spring Valve | 2 |
| 8 | 100097810 | Spark Plug(E6RTC) | 1 |
| 9 | 100747805 | Cylinder Head | 1 |
| 10 | 100051258-0001 | M6 x 82 Stud Bolt | 2 |
| 11 | 100158124 | Cylinder Head Gasket | 1 |
| 12 | 100760591 | Valve Exhaust | 1 |
| 13 | 100760590 | Valve Intake | 1 |
| 14 | 100010348 | M6 x 87 Stud Bolt | 2 |

CARBURETOR PARTS DIAGRAM

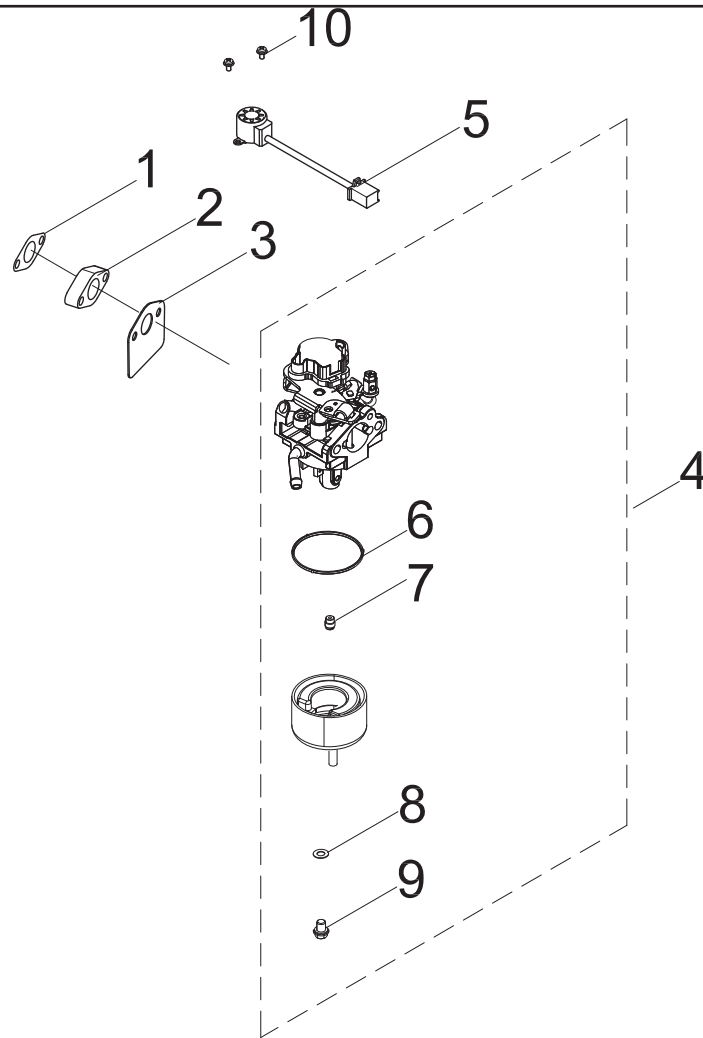


Figure D

CARBURETOR PARTS LIST

| # | Part Number | Description | Qty. |
|----|----------------|--------------------------------|------|
| 1 | 100158108 | Insulator Gasket | 1 |
| 2 | 100158118 | Carburetor Insulator | 1 |
| 3 | 100158117 | Carburetor Gasket | 1 |
| 4 | 100797054 | Carburetor | 1 |
| 5 | 100061512 | Stepper Motor | 1 |
| 6 | 100790304 | Fuel Bowl O-Ring | 1 |
| 7 | 100072072 | Main Jet Standard (64) | 1 |
| | 100715806 | Main Jet Standard (62) | / |
| 8 | 100006095 | Fuel Bowl Mounting Bolt Gasket | 1 |
| 9 | 100715797 | Fuel Bowl Mounting Bolt | 1 |
| 10 | 100031942-0002 | M3 x 6 Big Flange Bolt | 2 |

FUEL TANK PARTS DIAGRAM

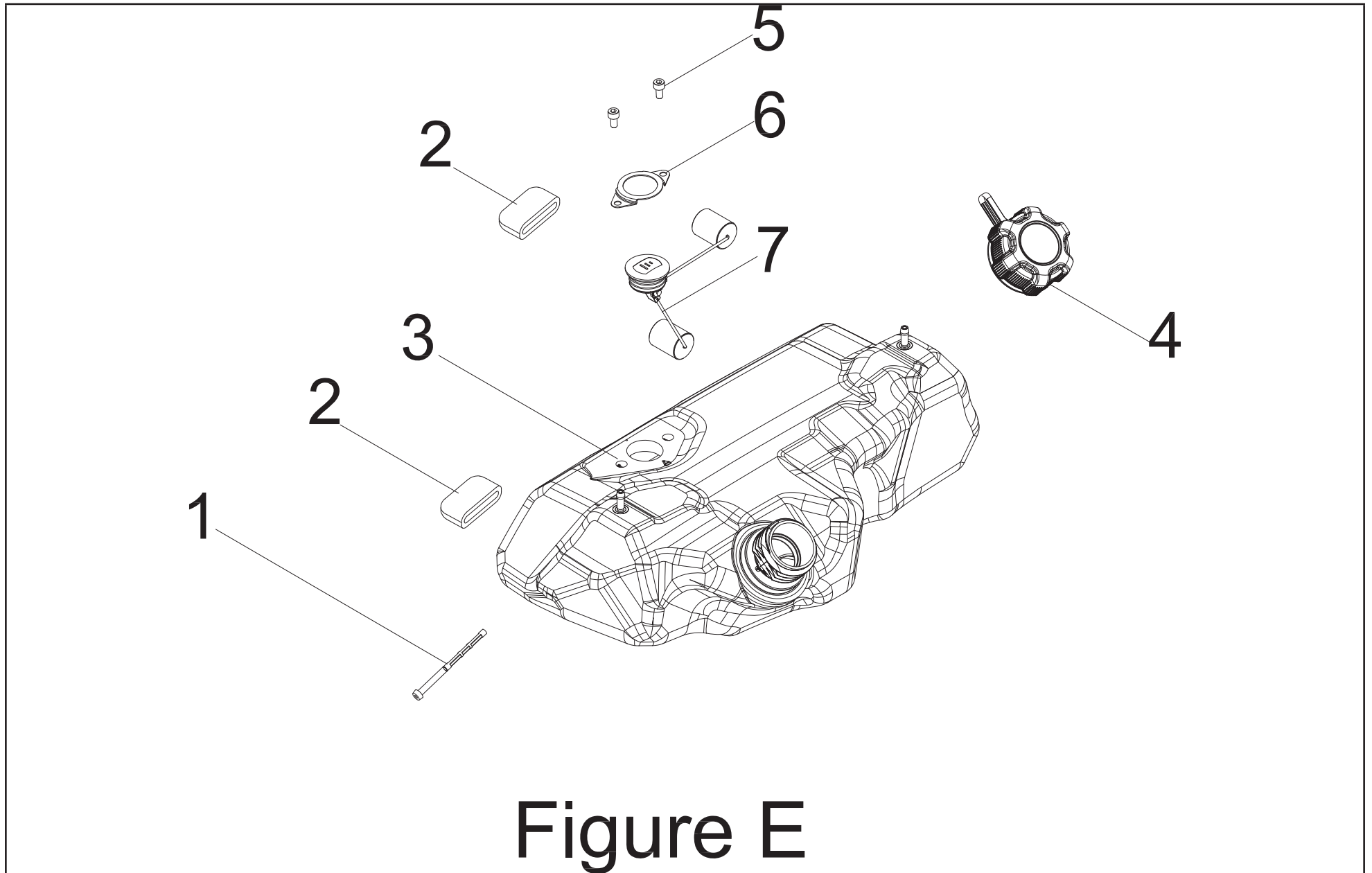


Figure E

FUEL TANK PARTS LIST

| # | Part Number | Description | Qty. |
|---|----------------|---------------------|------|
| 1 | 100711177 | Fuel Strainer | 1 |
| 2 | 100072727 | Rubber Pad | 2 |
| 3 | 100733630 | Fuel Tank, 5.8 L | 1 |
| 4 | 100764979 | Fuel Tank Cap | 1 |
| 5 | 100010831-0001 | M5 x 10 Flange Bolt | 2 |
| 6 | 100714562 | Fixed Clamp | 1 |
| 7 | 100797170 | Fuel Indicator | 1 |

CONTROL PANEL PARTS DIAGRAM

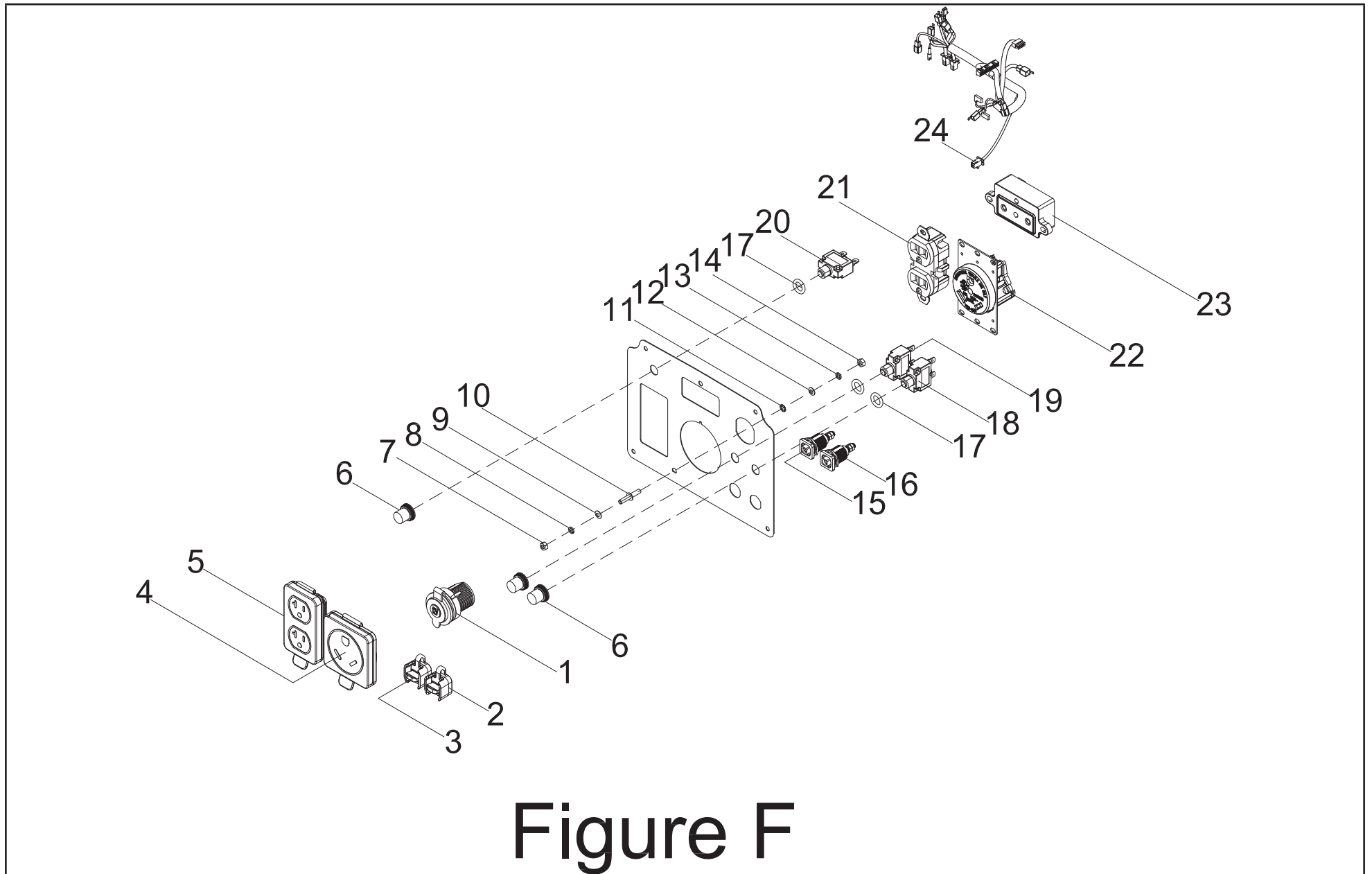


Figure F

CONTROL PANEL PARTS LIST

| # | Part Number | Description | Qty. |
|----|----------------|------------------------------------|------|
| 1 | 100019782 | Receptacle, 12 VDC | 1 |
| 2 | 100735685-0002 | Parallel Port Cover, Square, Black | 1 |
| 3 | 100735685-0001 | Parallel Port Cover, Square, Red | 1 |
| 4 | 100731572 | Receptacle Cover, TT-30R | 1 |
| 5 | 100731575 | Receptacle Cover, L5-20R | 1 |
| 6 | 100120180 | Circuit Breaker Cover | 3 |
| 7 | 100011421-0003 | M6 Flange Nut | 1 |
| 8 | 100010886-0004 | Spring Washer Ø6 | 1 |
| 9 | 100010910-0003 | Flat Washer Ø6 | 1 |
| 10 | 100092320 | Ground Stud | 1 |
| 11 | 100128826-0001 | Toothed Lock Washer Ø6 | 1 |
| 12 | 100010919-0002 | Flat Washer Ø5 | 1 |
| 13 | 100010885-0003 | Spring Washer Ø5 | 1 |
| 14 | 100011419-0001 | M5 Nut | 1 |
| 15 | 100746006-0001 | Parallel Port, Square, Red | 1 |
| 16 | 100746006-0002 | Parallel Port, Square,Black | 1 |
| 17 | 100031552 | O-Ring | 3 |
| 18 | 10057719-0001 | 8Amp Circuit Breaker, Push Button | 1 |
| 19 | 100019751 | 30Amp Circuit Breaker, Push Button | 1 |
| 20 | 100019754 | 20Amp Circuit Breaker, Push Button | 1 |
| 21 | 100020029 | Receptacle 5-20R, Duplex | 1 |
| 22 | 100161320 | Receptacle TT-30R | 1 |
| 23 | 100159885 | LED Display Module | 1 |
| 24 | 100796593 | Wire Harness Assembly | 1 |

BASE KIT PARTS DIAGRAM

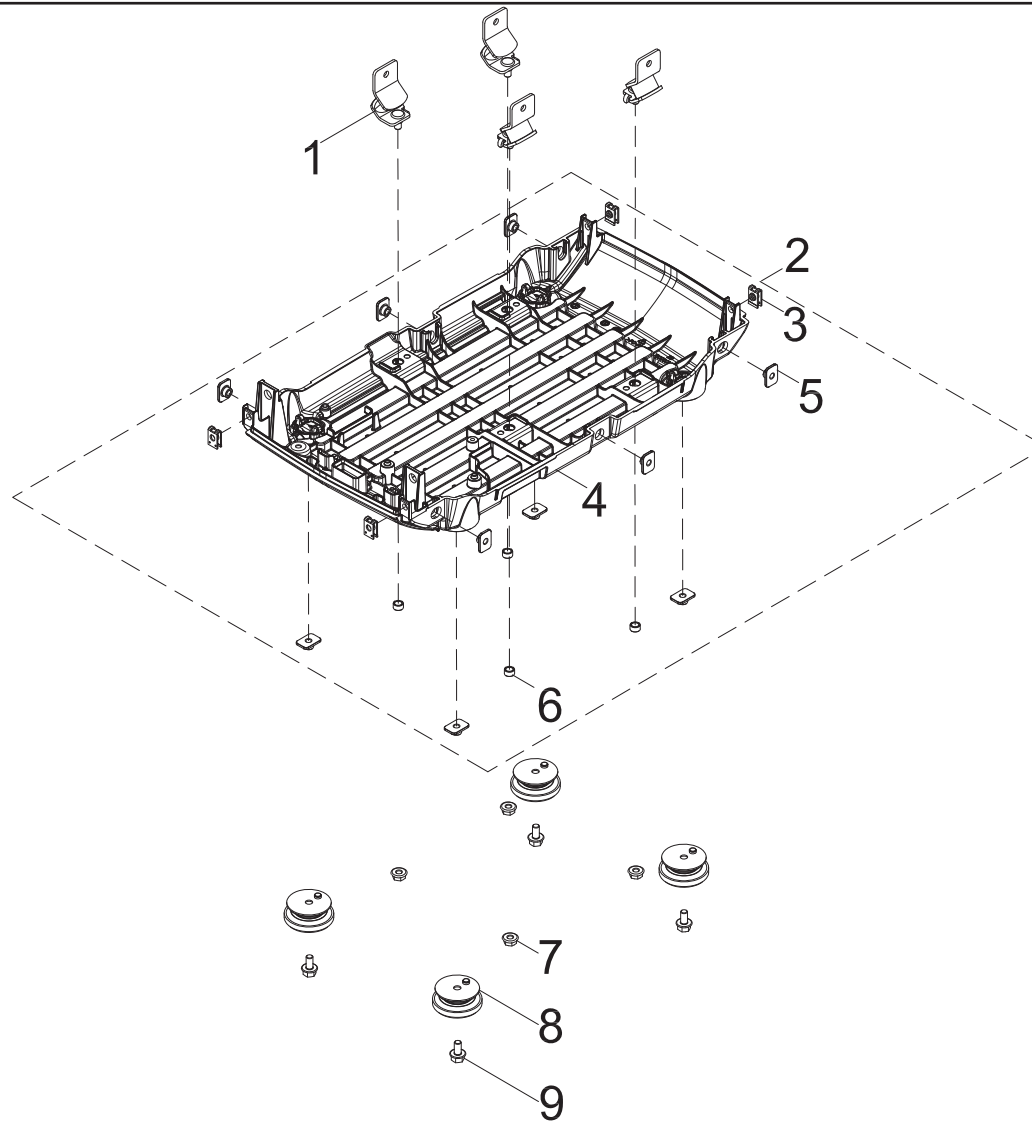


Figure G

BASE KIT PARTS LIST

| # | Part Number | Description | Qty. |
|---|----------------|-------------------------|------|
| 1 | 100072715 | Support Vibration Mount | 4 |
| 2 | 100716663 | Bottom Housing Assembly | 1 |
| 3 | 100050562 | Threaded Clamp | 4 |
| 4 | 100716665 | Bottom Housing | 1 |
| 5 | 100072994 | M6 Step Nut | 10 |
| 6 | 100716706 | Bushing, Ø9 x Ø6.6 x 5 | 4 |
| 7 | 100011452-0003 | M6 Nut | 4 |
| 8 | 100718915 | Bottom Housing Foot | 4 |
| 9 | 100011261-0004 | M6 x 12 Flange Bolt | 4 |

WIRING DIAGRAM

