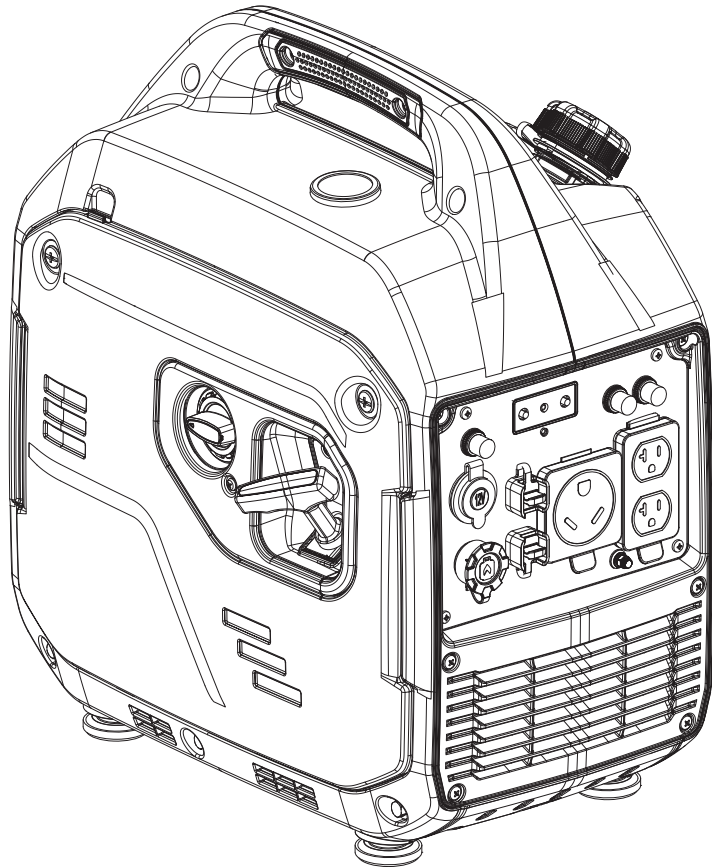




Champion Power Equipment, Inc.

MODEL #201422



PARTS INFORMATION

4000W DUAL FUEL INVERTER GENERATOR

SERIAL NUMBER RANGE: ALL



To order replacement parts please visit:
shop.championpowerequipment.com
or call **1-877-338-0999**.

TABLE OF CONTENTS

Generator Parts Diagram	3
Generator Parts List	4
Engine Parts Diagram	6
Engine Parts List	7
Cylinder Head Parts Diagram	9
Cylinder Head Parts List	10
Carburetor Parts Diagram	11
Carburetor Parts List	12
Fuel Tank Parts Diagram	13
Fuel Tank Parts List	14
Control Panel Parts Diagram	15
Control Panel Parts List	16
Base Kit Parts Diagram	17
Base Kit Parts List	18
Wiring Diagram	19

GENERATOR PARTS DIAGRAM

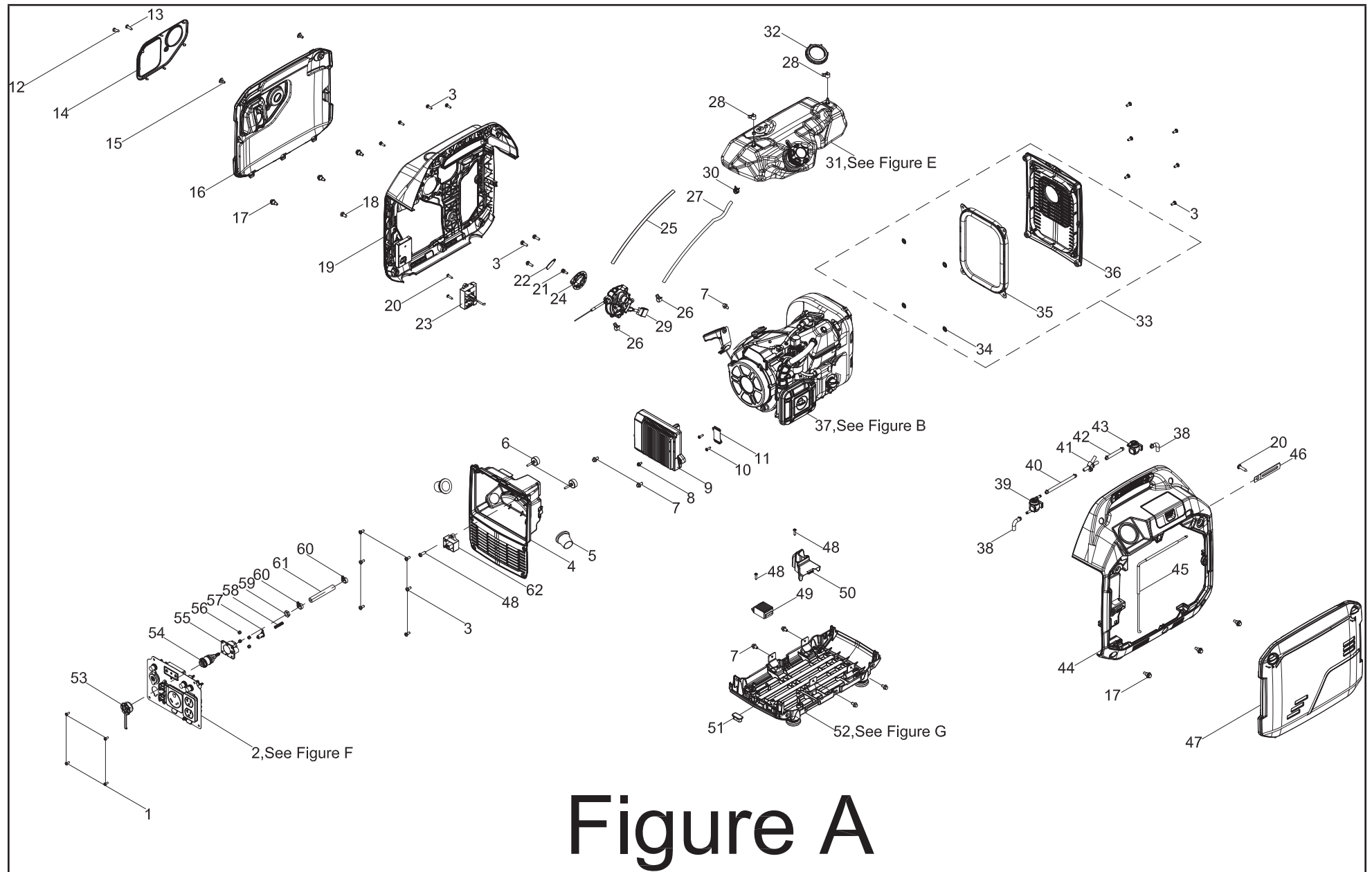


Figure A

GENERATOR PARTS LIST

#	Part Number	Description	Qty.
1	100010946-0001	M4 x 10 Screw	4
2	100797507	Panel Assembly, See Figure F	1
3	100033079-0003	M5 x 16 Screw	19
4	100797443-0001	Panel Bed	1
5	100711831	Wire Jacket	2
6	100716670	Bumper Pad	2
7	100011570-0001	M6 x 12 Big Flange Bolt	7
8	100011247-0004	M5 x 8 Flange Bolt	1
9	100797506	Inverter, 120V 60Hz	1
10	100032967-0002	Self-tapping Screw, ST4.2 x 16	2
11	100158096	Clip Base	1
12	100733485-0002	Self-tapping Screw, ST4.2 x 13	1
13	100032967-0005	Self-tapping Screw, ST4.2 x 16	1
14	100796683-0001	Appearance Protect	1
15	100072713-0002	Bolt	2
16	100797438-0001	Left Cover Board Assembly	1
17	100081994	Shaft Locating Bolt	6
18	100010953-0004	M5 x 10 Screw	1
19	100797439-0001	Housing Assembly, Left Handle	1
20	100011002-0004	Self-tapping Screw, ST4.2 x 19	3
21	100137684-0003	M4 x 16 Flange Bolt	1
22	100715786-0002	Fuel Switch Handle Cover	1
23	5.1830.022	CO Shutdown Module	1
24	100796806	Oil Switch Knob	1
25	100098274	Tube Sheath, Silicon Resin	1
26	100771620	Clamp Ø8.5	2
27	100798440	Fuel Tube, L=110mm	1
28	100005148	Clamp 1, Ø8	2
29	100796816	Switch Assembly	1
30	100005159	Clamp 2, Ø10.5 x 8	1

#	Part Number	Description	Qty.
31	100797397	Fuel Tank Assembly, See Figure E	1
32	100008887	Lock Nut	1
33	100797442-0001	Service Window	1
34	100087972	Retainer Ring	4
35	100158130	O-ring Seal	1
36	100797956	Muffler Rear Panel	1
37	1ZC7DC030	Engine, See Figure B	1
38	100161875-0001	Fuel Tube	2
39	100158094	Roll Over Valve	1
40	100716692	Fuel Tube, L=120mm	1
41	100160310	Fuel Tee Pipe	1
42	100716690	Fuel Tube, L=70mm	1
43	100158092	Roll Over Valve	1
44	100797441-0001	Housing Assembly, Right Handle	1
45	100786920	Fuel Tube, L=334mm	1
46	100000656	Wire Clip C	1
47	100797440-0001	Right Cover Board Assembly	1
48	100100457-0001	M4 x 16 Screw	3
49	100765371-0001	Capacitance Rectifier Bridge	1
50	100717737-0002	Shroud Cover	1
51	100072710	Rubber Damper	1
52	100797396	Base Kit, See Figure G	1
53	100158478-0001	Protector Cover, Quick Connector	1
54	100157219-0001	Self-locking Quick Connector, Female	1
55	100157218-0001	Mounting Seat, Self-locking Quick Connector	1
56	100011065-0005	M4 Flange Nut	4
57	100157217-0001	Sliding Block, Mounting Seat	1
58	100157221-0001	Spring, Mounting Seat	1
59	100160807-0001	M12 Nut	1
60	100759576	Fuel Hose Clamp	2

#	Part Number	Description	Qty.
61	100797101	Gas Hose	1
62	100715460-0001	Fuel Solenoid Valve Controller	1

ENGINE PARTS DIAGRAM

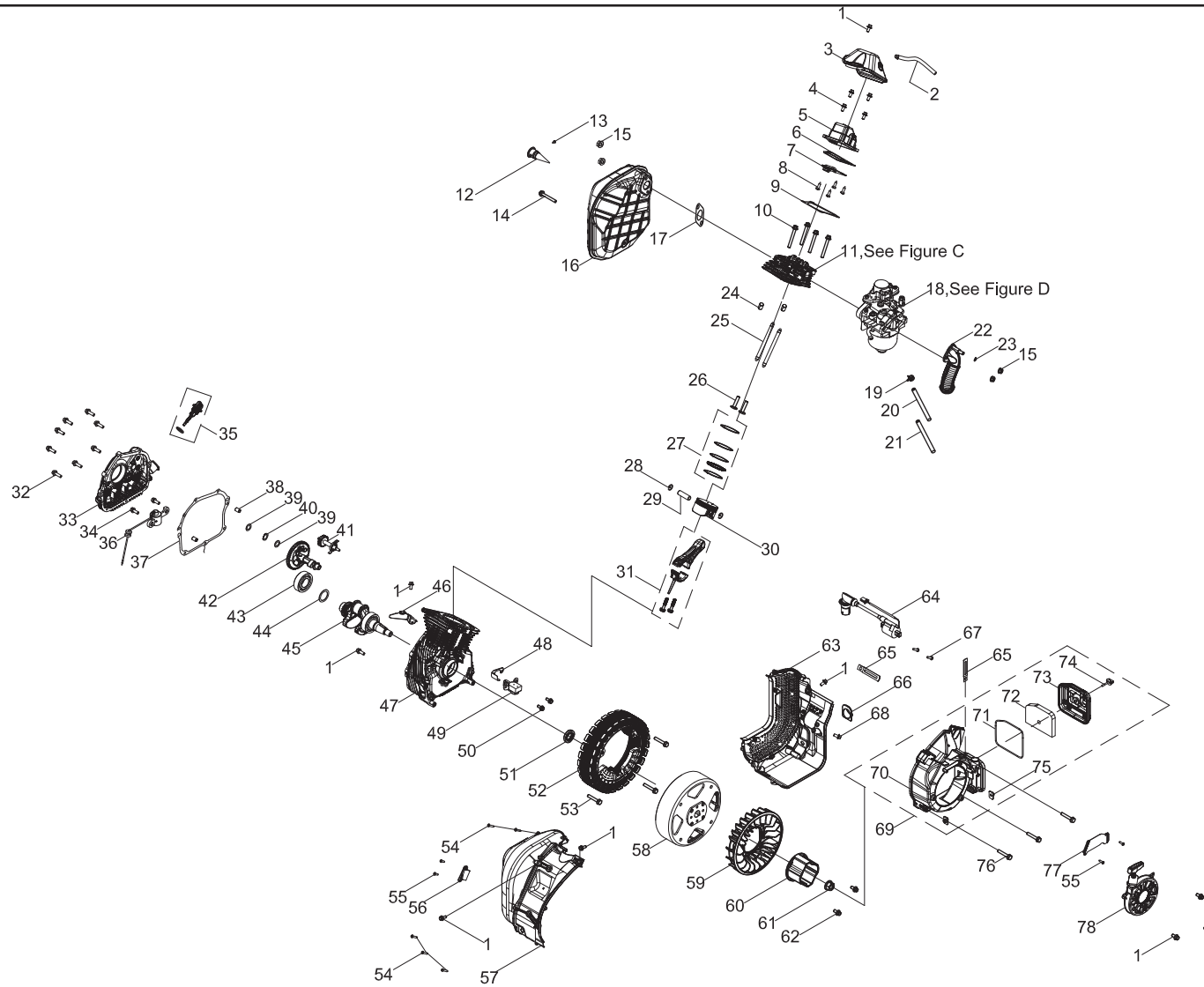


Figure B

ENGINE PARTS LIST

#	Part Number	Description	Qty.
1	100011570-0001	M6 x 12 Big Flange Bolt	9
2	100088413	Breather Tube	1
3	100797192	Cylinder Head Cover Gasket	1
4	100031968-0002	M6 x 20 Big Flange Bolt	4
5	100157081	Cylinder Head Cover Assembly	1
6	100158111	Cylinder Cover Gasket	1
7	100158112	Inner Cover, Valve Cover	1
8	100005133	M3 x 6 Cross Screw	4
9	100158122	Cylinder Head Cover Gasket	1
10	100002464-0001	M8 x 60 Flange Bolt	4
11	100797890	Cylinder Head Assembly - See Figure C	1
12	100085794	Spark Arrester Assembly	1
13	100011000-0001	Self-tapping Screw ST4.2 x 9.5	1
14	100011280-0002	M6 x 75 Flange Bolt, GB5789	1
15	100011452-0003	M6 Flange Nut	4
16	100765699	Exhaust Muffler Assembly	1
17	100751828	Muffler Gasket	1
18	100797893	Carburetor kit - See Figure D	1
19	100090871	Clamp 1, Ø9.7 x 8	1
20	100798439	Fuel Tube, L=295mm	1
21	100727728	Fuel Hose Jacket	1
22	100158121	Air Filter Hose	1
23	100005150	Clamp 2	1
24	100010558	Dowel Pin Ø10 x 16	2
25	100760593	Push Rod	2
26	100004262	Valve Lifter	2
27	100726599	Piston Ring Set	1
28	100003220	Circlip	2
29	100722061	Wrist Pin	1
30	100781541	Piston	1

#	Part Number	Description	Qty.
31	100782826	Connecting Rod	1
32	100033100-0005	M6 x 25 Big Flange Bolt	8
33	100157091	Crankcase Cover	1
34	100031967-0007	M6 x 16 Big Flange Bolt	2
35	100084322-0003	Oil Dipstick Assembly, Black	1
36	100719270-0001	Oil Level Sensor	1
37	100158110	Crankcase Cover Gasket	1
38	100010549	Dowel Pin Ø8 x 12	2
39	100158680	Washer Ø14.2 x 0.5 x Ø21	2
40	100162210	Washer, Ø14.2 x Ø21 x 2	1
41	100724647	Oil Thrower Gear	1
42	100158125	Camshaft	1
43	100072204	Bearing, 6205E	1
44	100010527-0001	Washer Ø25.4 x 1 x Ø34	1
45	100786015	Crankshaft	1
46	100720769	Shroud 1	1
47	100157087	Crankcase	1
48	100720770	Shroud 2	1
49	100765358-0001	Trigger	1
50	100055591-0006	M6 x 12 Small Flange Bolt	2
51	100017644	Oil Seal Ø25 x Ø41.25 x 6	1
52	100797505	Stator Assembly	1
53	100076844-0001	M6 x 38 Small Flange Bolt	3
54	100011004-0001	Self-tapping Screw ST4.2 x 25	5
55	100032967-0002	Self-tapping Screw ST4.2 x 16	4
56	100797193	Idle Spring	1
57	100797194	Rear Air Guide	1
58	100765369-0001	Rotor Assembly, Permanent Magneto	1
59	100797191	Cooling Fan	1
60	100157090	Starter Pulley	1

#	Part Number	Description	Qty.
61	100011462-0001	M14 x 1.5 Flange Nut	1
62	100011571-0001	M6 x 14 Big Flange Bolt	2
63	100797197	Front Air Guide	1
64	100765357	Ignition Coil	1
65	100000656	Wire Clip C	2
66	100784921	Oil Seal	1
67	100093250-0004	Self-tapping Screw ST4.8 x 20	2
68	100715178-0001	M6 x 45 Big Flange Bolt	1
69	100797200	Fan Cover Assembly	1
70	100797201	Fan Cover	1
71	100158177	Air Filter Gasket	1
72	100158179	Air Filter Element	1
73	100158178	Air Filter Cover	1
74	100158176	Bolt	1
75	100072994	Step Nut	2
76	100011274-0002	M6 x 45 Flange Bolt, GB5789	3
77	100158097	Clip Base 1	1
78	100717807-0001	Recoil Starter Assembly	1

CYLINDER HEAD PARTS DIAGRAM

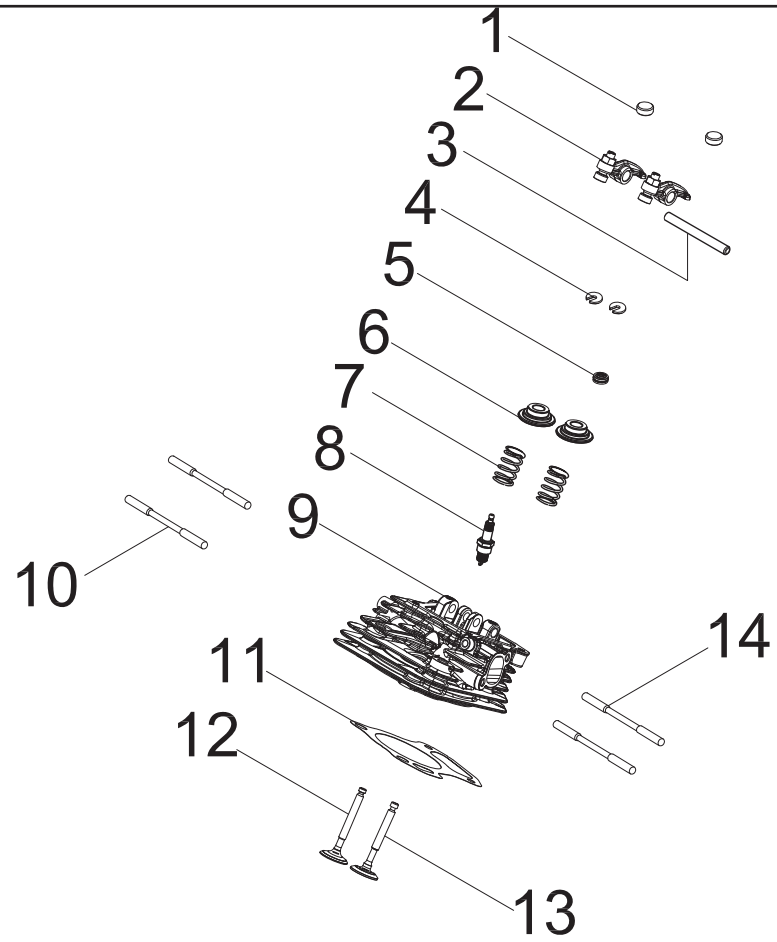


Figure C

CYLINDER HEAD PARTS LIST

#	Part Number	Description	Qty.
1	100760592	Valve Adjust Cap, Exhaust	2
2	100760595	Rocker Arm Assembly	2
3	100158127	Rocker Arm Shaft	1
4	100075055	Valve Collet	2
5	100758247	Oil Drip Pan	1
6	100075056	Valve Spring Seat, 148F	2
7	100159357	Spring Valve	2
8	100097810	Spark Plug(E6RTC)	1
9	100756934	Cylinder Head	1
10	100051258-0001	M6 x 82 Stud Bolt	2
11	100158124	Cylinder Head Gasket	1
12	100760591	Valve Exhaust	1
13	100760590	Valve Intake	1
14	100010348	M6 x 87 Stud Bolt	2

CARBURETOR PARTS DIAGRAM

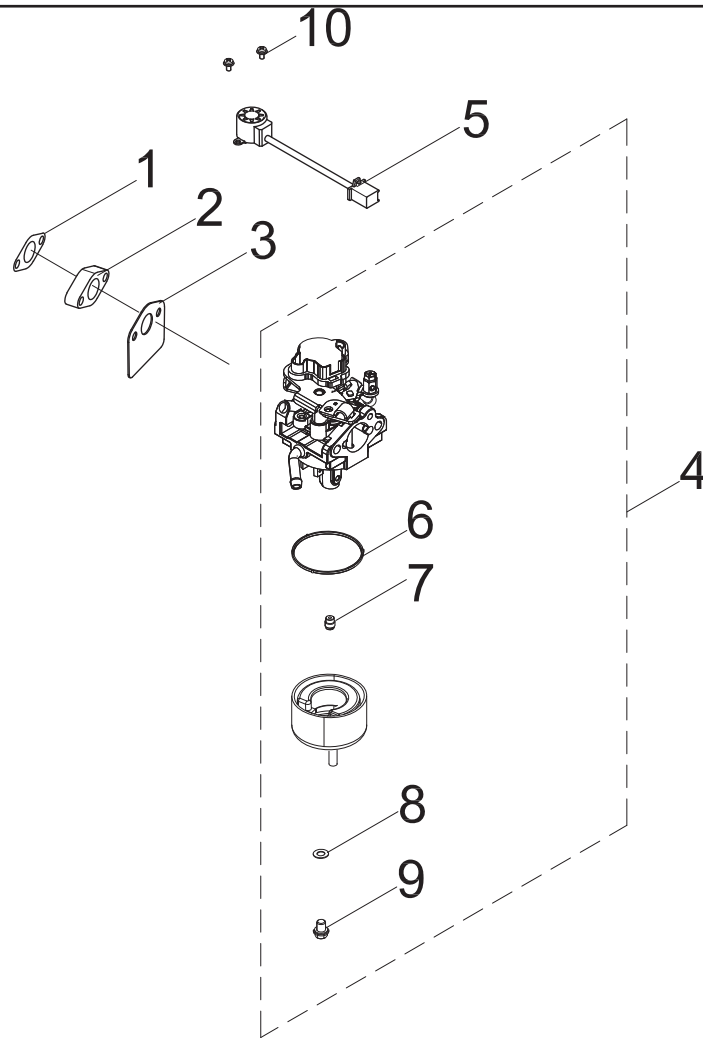


Figure D

CARBURETOR PARTS LIST

#	Part Number	Description	Qty.
1	100158108	Insulator Gasket	1
2	100158118	Carburetor Insulator	1
3	100158117	Carburetor Gasket	1
4	100797055	Carburetor	1
5	100061512	Stepper Motor	1
6	100790304	Fuel Bowl O-Ring	1
7	100786127	Main Jet Standard (62.5)	1
	100005742	Main Jet Standard (60)	/
8	100006095	Fuel Bowl Mounting Bolt Gasket	1
9	100715797	Fuel Bowl Mounting Bolt	1
10	100031942-0002	M3 x 6 Flange Bolt	2

FUEL TANK PARTS DIAGRAM

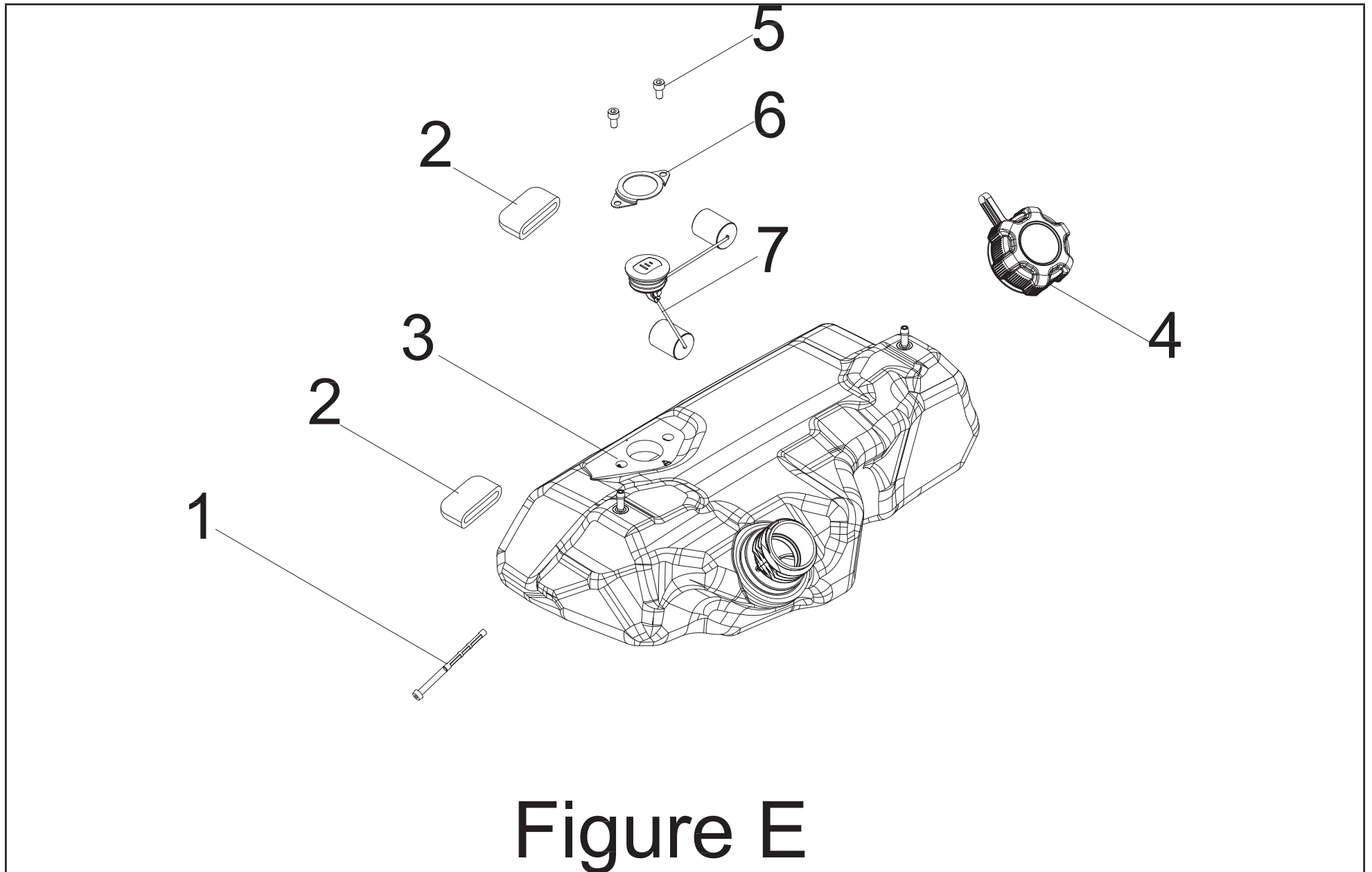


Figure E

FUEL TANK PARTS LIST

#	Part Number	Description	Qty.
1	100711177	Fuel Strainer	1
2	100072727	Rubber Pad	2
3	100733630	Fuel Tank, 5.8 L	1
4	100764979	Fuel Tank Cap	1
5	100010831-0001	M5 x 10 Flange Bolt	2
6	100714562	Fixed Clamp	1
7	100797170	Fuel Indicator	1

CONTROL PANEL PARTS DIAGRAM

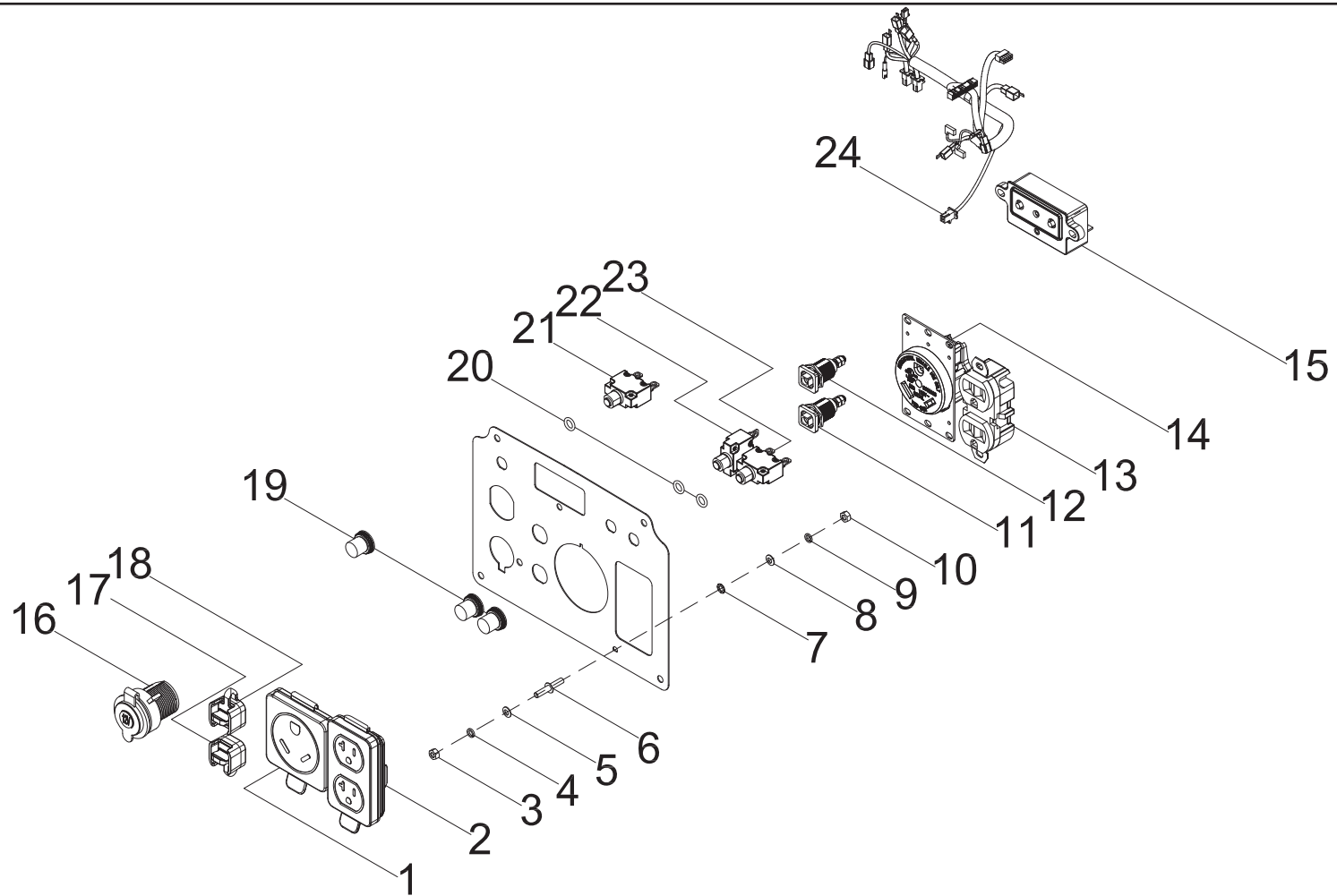


Figure F

CONTROL PANEL PARTS LIST

#	Part Number	Description	Qty.
1	100731572	Receptacle Cover, TT-30R	1
2	100731575	Receptacle Cover, L5-20R	1
3	100011421-0003	M6 Flange Nut	1
4	100010886-0004	Spring Washer Ø6	1
5	100010910-0003	Flat Washer Ø6	1
6	100092320	Ground Stud	1
7	100128826-0001	Toothed Lock Washer Ø6	1
8	100010919-0002	Flat Washer Ø5	1
9	100010885-0003	Spring Washer Ø5	1
10	100011419-0001	M5 Flange Nut	1
11	100746006-0002	Parallel Port, Square,Black	1
12	100746006-0001	Parallel Port, Square, Red	1
13	100020029	Receptacle 5-20R, Duplex	1
14	100161320	Receptacle TT-30R	1
15	100159885	LED Display Module	1
16	100019782	Receptacle, 12 VDC	1
17	100735685-0002	Parallel Port Cover, Square, Black	1
18	100735685-0001	Parallel Port Cover, Square, Red	1
19	100120180	Cover, Circuit Breaker	3
20	100031552	O-Ring	3
21	10057719-0001	8Amp Circuit Breaker, Push Button	1
22	100019751	30Amp Circuit Breaker, Push Button	1
23	100019754	20Amp Circuit Breaker, Push Button	1
24	100797016	Wire Harness Assembly	1

BASE KIT PARTS DIAGRAM

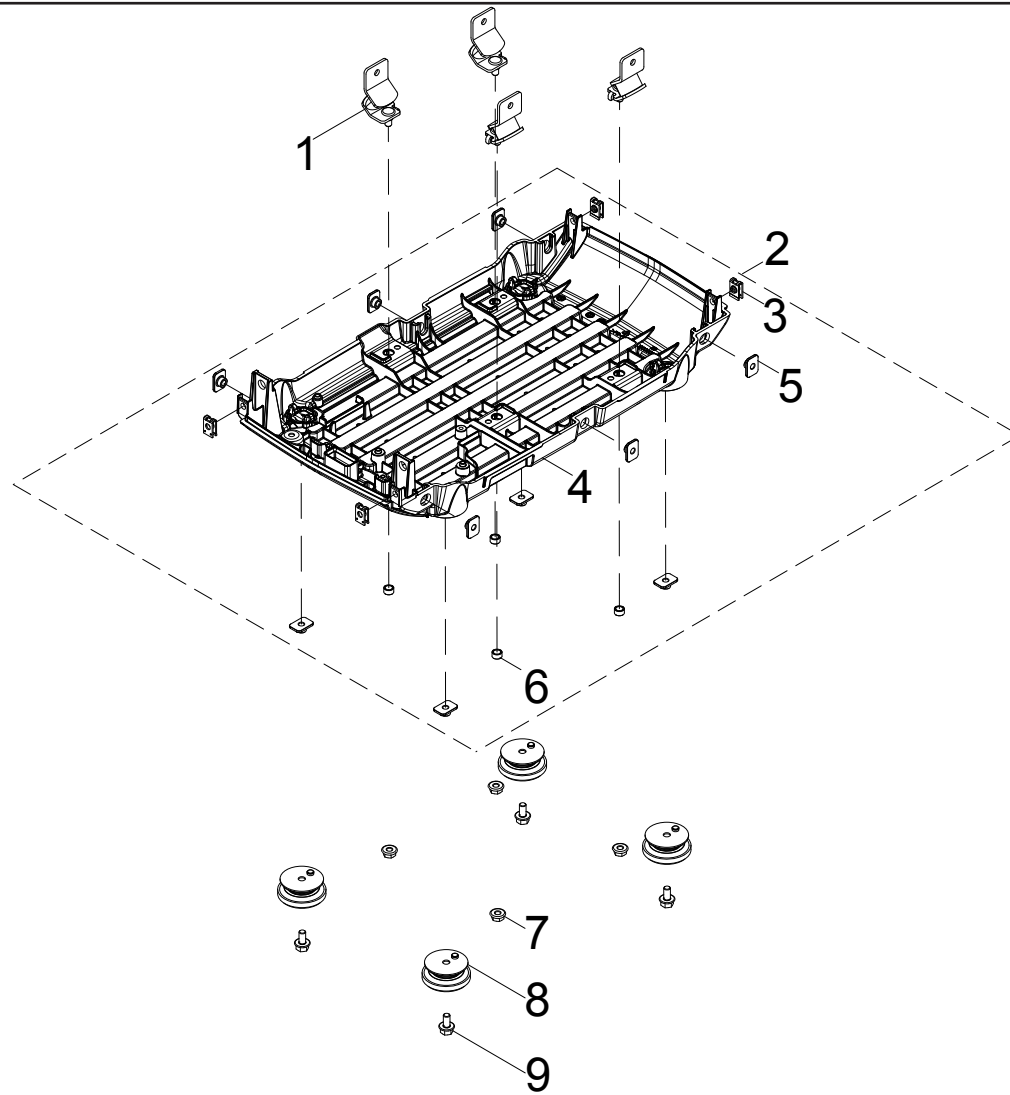


Figure G

BASE KIT PARTS LIST

#	Part Number	Description	Qty.
1	100072715	Vibration Mount, Support	4
2	100716663	Bottom Housing Assembly	1
3	100050562	Threaded Clamp	4
4	100716665	Bottom Housing, Black	1
5	100072994	M6 Step Nut	10
6	100716706	Bushing, Ø9 x Ø6.6 x 5	4
7	100011452-0003	M6 Flange Nut	4
8	100718915	Bottom Housing Foot	4
9	100011261-0004	M6 x 12 Flange Bolt	4

WIRING DIAGRAM

