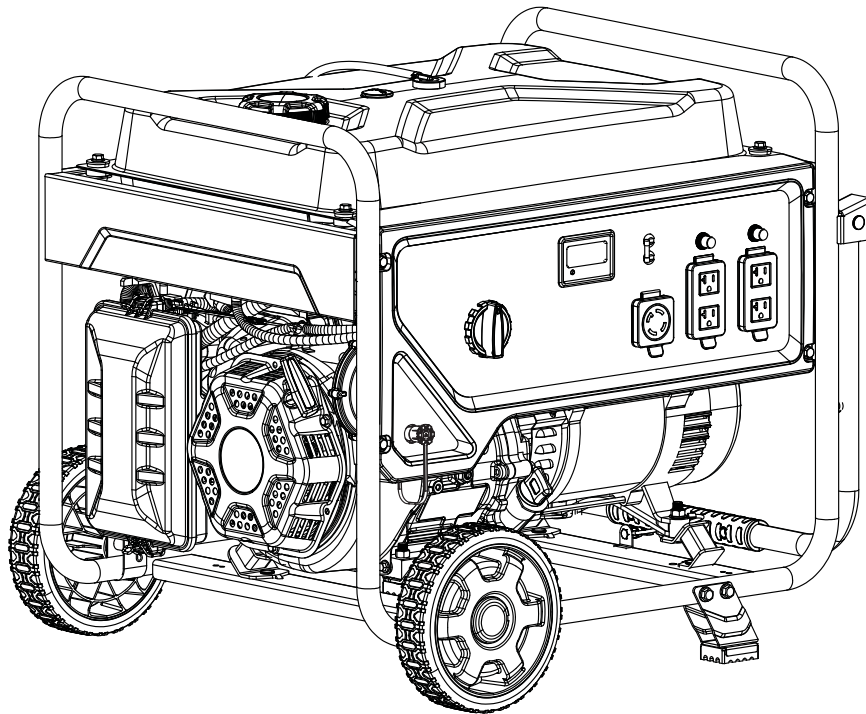




Champion Power Equipment, Inc.

MODEL #201463



PARTS INFORMATION

6250W DUAL FUEL PORTABLE GENERATOR

SERIAL NUMBER RANGE: ALL



To order replacement parts please visit:
shop.championpowerequipment.com
or call **1-877-338-0999**.

TABLE OF CONTENTS

Generator Parts Diagram	3
Generator Parts List	4
Engine Parts Diagram	5
Engine Parts List	6
Cylinder Head Parts Diagram	8
Cylinder Head Parts List	9
Carburetor Parts Diagram	10
Carburetor Parts List	11
Alternator Parts Diagram	12
Alternator Parts List	13
Fuel Tank Parts Diagram	14
Fuel Tank Parts List	15
Control Panel Parts Diagram	16
Control Panel Parts List	17
Frame Assembly Parts Diagram	18
Frame Assembly Parts List	19
Wiring Diagram	20

GENERATOR PARTS DIAGRAM

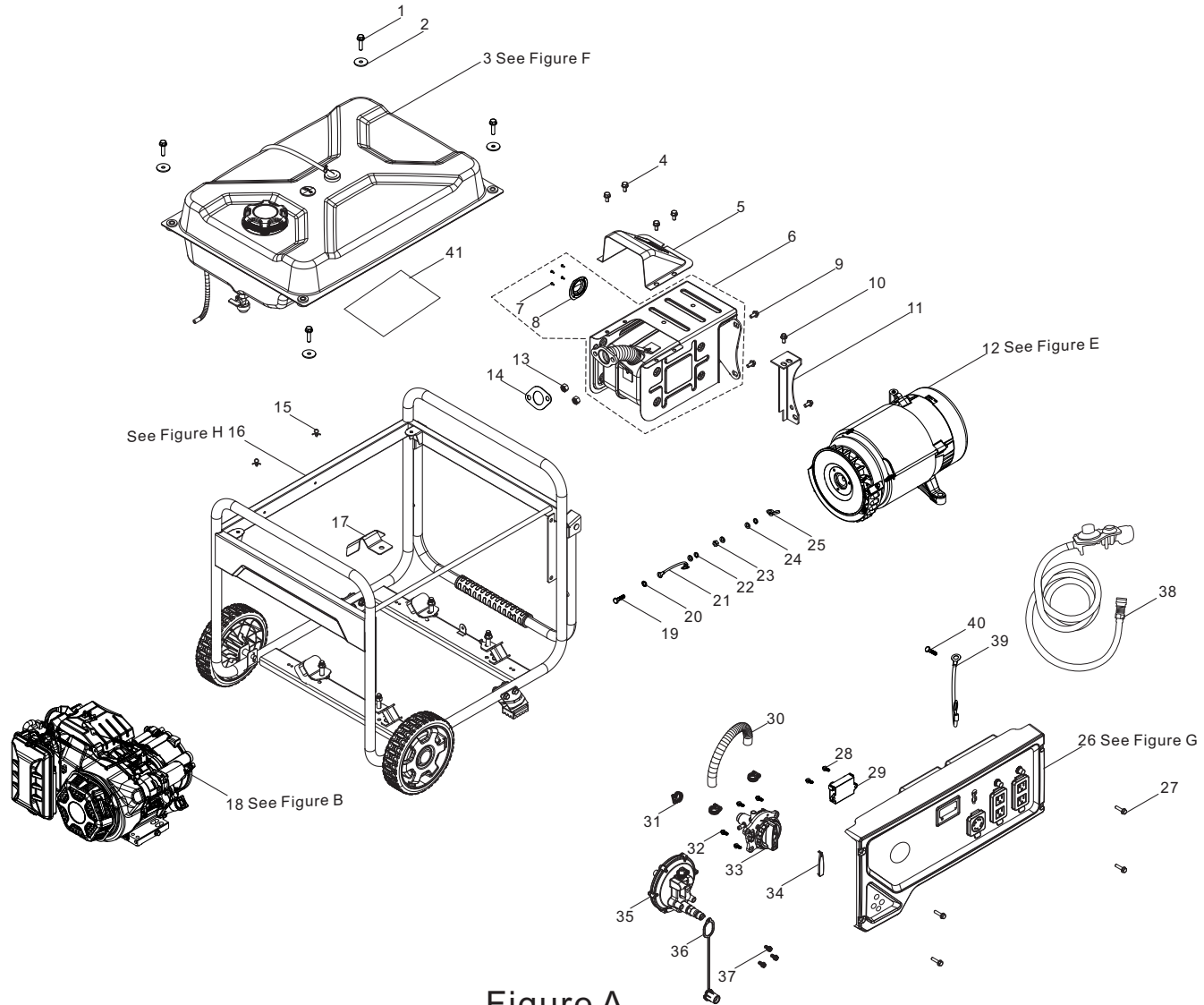


Figure A

GENERATOR PARTS LIST

#	Part Number	Description	Qty.
1	90007-000024	M6 x 25 Hex Flange Bolt, Blk Zn	4
2	90408-000008	Flat Washer, Ø6, Blk Zn	4
3	96104-Y16620-0019	Fuel Tank Assy - See Figure F	1
4	90007-000008	M6 x 12 Hex Flange Bolt, Blk Zn	4
5	80019-000002	Muffler Guide Hood	1
6	18100-000021	Muffler Assy	1
7	90139-000001	M5 x 10 Hex Flange Bolt, White Zn	4
8	18250-000005	Spark Arrestor	1
9	90001-000041	M8 x 16 Hex Flange Bolt, Blk Zn	2
10	90001-000040	M8 x 16 Hex Flange Bolt, White Zn	2
11	18030-000003	Muffler Bracket	1
12	96114-Y31300-0017	Alternator Assy - See Figure E	1
13	90303-000004	M8 Hex Nut, Blk Zn	2
14	18001-000004	Exhaust Outlet Gasket	1
15	90684-000005	Clip, Ø8	2
16	96103-Y51100-0026	Frame Assy - See Figure H	1
17	24329-000004	Block 1	1
18	96100-R390MN00-01	389cc EPA Engine, Dual Fuel, Manual Start- See Figure B	
19	90001-000027	M6 x 25 Hex Flange Bolt, Blk Zn	1
20	90415-000001	Toothed Lock Washer, Ø6, Blk Zn	1
21	30009-000022	Grounding Wire	1
22	90403-000003	Spring Washer, Ø6, Blk Zn	2
23	90303-000003	M6 Flange Nut, Blk Zn	1
24	90408-000006	Flat Washer, Ø6, Blk Zn	3
25	90312-000001	M6 Wing Nut, Blk Zn	1
26	35610-000172	Control Panel Assy - See Figure G	1

#	Part Number	Description	Qty.
27	90007-000012	M6 x 16 Hex Flange Bolt, Blk Zn	4
28	90124-000003	Tapping Screw, PT5×16	2
29	35720-000001	CO Module	1
30	90729-000005	Vent Hose, Ø9.5 x Ø16.8 x 250	1
31	90748-000002	Clamp, Ø10 - 16	3
32	90124-000003	Tapping Screw, PT5×16	4
33	16750-000027	Fuel Valve Assy	1
34	82007-000005	Decorative Covers PMS 109C	1
35	77100-000008	Gas Pressure Reducing Valve	1
36	16287-000001	Dust Cap	1
37	90134-000001	M5 x 12 Cross Hex Pan Head Bolt	3
38	77300-000003	LPG Hose With Regulator	1
39	30009-000014	Grounding Wire 1	1
40	90001-000007	M5 x 16 Hex Flange Bolt, White Zn	1
41	82153-000003	Heat Film	1

ENGINE PARTS DIAGRAM

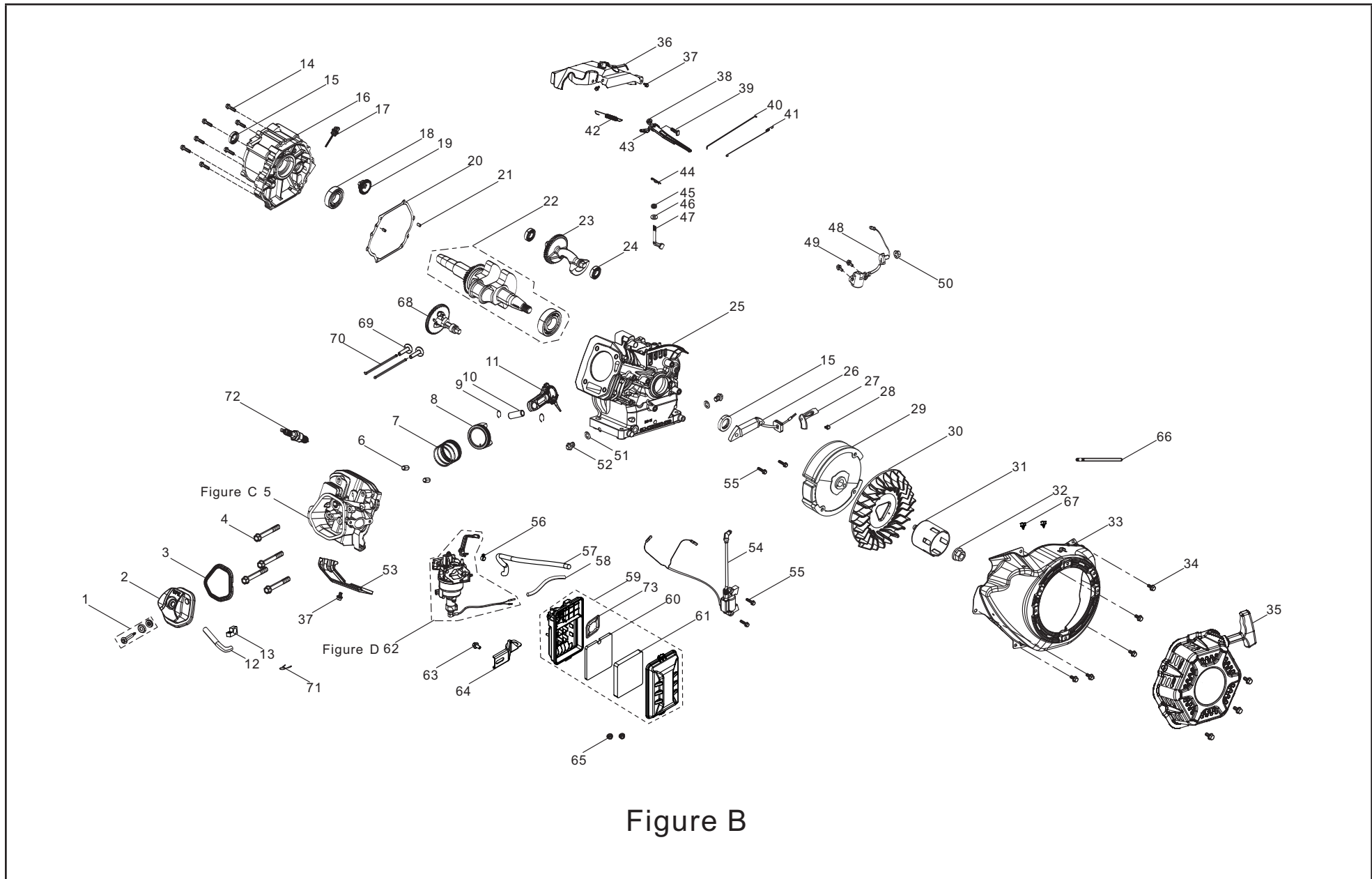


Figure B

ENGINE PARTS LIST

#	Part Number	Description	Qty.
1	12030-000001	Bolt Assy, Cylinder Head Cover	1
2	12410-000010	Cylinder Head Cover Assy, White Zn	1
3	12004-000003	Cylinder Head Cover Gasket	1
4	12003-000004	M10 x 80 Cylinder Head Bolt	4
5	96101-Z120410-0024	Cylinder Head Assy - See Figure C	1
6	90502-000008	12 x 20 Pin	2
7	13200-000003	Piston Ring Assy	1
8	13111-000006	Piston	1
9	13122-000002	Piston Pin Clip	2
10	13121-000004	Piston Pin, Ø20 x Ø14.75 x 62	1
11	13010-000003	Connecting Rod	1
12	17004-000005	Breather Tube, Ø10 x Ø15 x 175	1
13	90804-000001	Stop Block	1
14	90001-000050	M8 x 40 Hex Flange Bolt, White Zn	7
15	90682-000011	Oil Seal, Ø35 x Ø52 x 7	2
16	11411-000005	Crankcase Cover	1
17	15010-000008	Oil Dipstick Assy	1
18	90547-000012	Bearing, 6207	1
19	16400-000005	Governor Gear Assy	1
20	11001-000003	Crankcase Gasket	1
21	90502-000002	8 x 12 Pin	2
22	13300-000006	Crankshaft Assy	1
23	13401-000002	Balancing Shaft	1
24	90548-000002	Bearing, 6202	2
25	11310-000006	Crankcase Assy	1
26	30140-000007	Charging Coil	1
27	30001-000002	Charging Coil Plate	1
28	90001-000016	M6 x 10 Hex Flange Bolt, White Zn	1
29	13510-000007	Flywheel Assy	1
30	19352-000008	Cooling Fan, Engine	1

#	Part Number	Description	Qty.
31	28002-000006	Starter Pulley, White Zn	1
32	13501-000002	M16 x 1.5 Flywheel Nut, White Zinc	1
33	28110-000010	Shroud, PMS 109C	1
34	90001-000019	M6 x 12 Hex Flange Bolt, Blk Zn	5
35	28200-000023	Recoil Starter Assy	1
36	16520-000025	Throttle Control Assy, White Zn	1
37	90001-000018	M6 x 12 Hex Flange Bolt, White Zn	3
38	90305-000007	M6 Hex Flange Nut, White Zn	1
39	16072-000003	Governor Support Bolt, M6 x 1 x 24, White Zn	1
40	16062-000008	Governor Rod, White Zn	1
41	16012-000003	Throttle Valve Returning Spring	1
42	16063-000010	Governor Spring	1
43	16070-000002	Governor Support Assy, White Zn	1
44	90501-000005	Pin, White Zn	1
45	90682-000007	Oil Seal, Ø8 x Ø14 x 4	1
46	90412-000004	Washer, Ø8.4 x Ø19.5 x 0.8	1
47	16061-000004	Governor Arm	1
48	37060-000006	Engine oil Sensor	1
49	90001-000022	M6 x 16 Hex Flange Bolt, White Zn	2
50	90305-000014	M10 Hex Flange Nut, White Zn	1
51	90412-000003	Washer, Ø12 x Ø21 x 2	2
52	11007-000003	M12 x 1.5 x 18 Drain Plug Bolt, White Zn	2
53	19304-000004	Cylinder Body Shroud	1
54	30400-000027	Ignition Coil	1
55	90001-000028	M6 x 28 Hex Flange Bolt, White Zn	4
56	90748-000002	Clamp, Ø10 - 16	1
57	90729-000012	Hose, Ø9.5 x Ø16.8 x 380	1
58	30431-000018	Rubber Sleeve, Ø19.5 x Ø18 x 120	1
59	17100-000034	Air Cleaner	1
60	17151-000002	Element 1, Air Cleaner	1

#	Part Number	Description	Qty.
61	17151-000001	Element 2, Air Cleaner	1
73	17115-000001	Support plate, Element	1
62	96105-Z16100-0021	Carburetor Assy - See Figure D	1
63	90001-000019	M6 x 12 Hex Flange Bolt, Blk Zn	1
64	17003-000004	Air Cleaner Support, White Zn	1
65	90305-000008	M6 Hex Flange Nut, Black Zn	2
66	90684-000001	Clip,L=130	1
67	90685-000017	Clamp	2
68	14200-000004	Camshaft Assy	1
69	14081-000003	Valve Lifter	2
70	14070-000003	Valve Rod	2
71	90740-000007	Clip, Ø14 .5, White Zn	1
72	30010-000001	Spark Plug, F6RTC	1

CYLINDER HEAD PARTS DIAGRAM

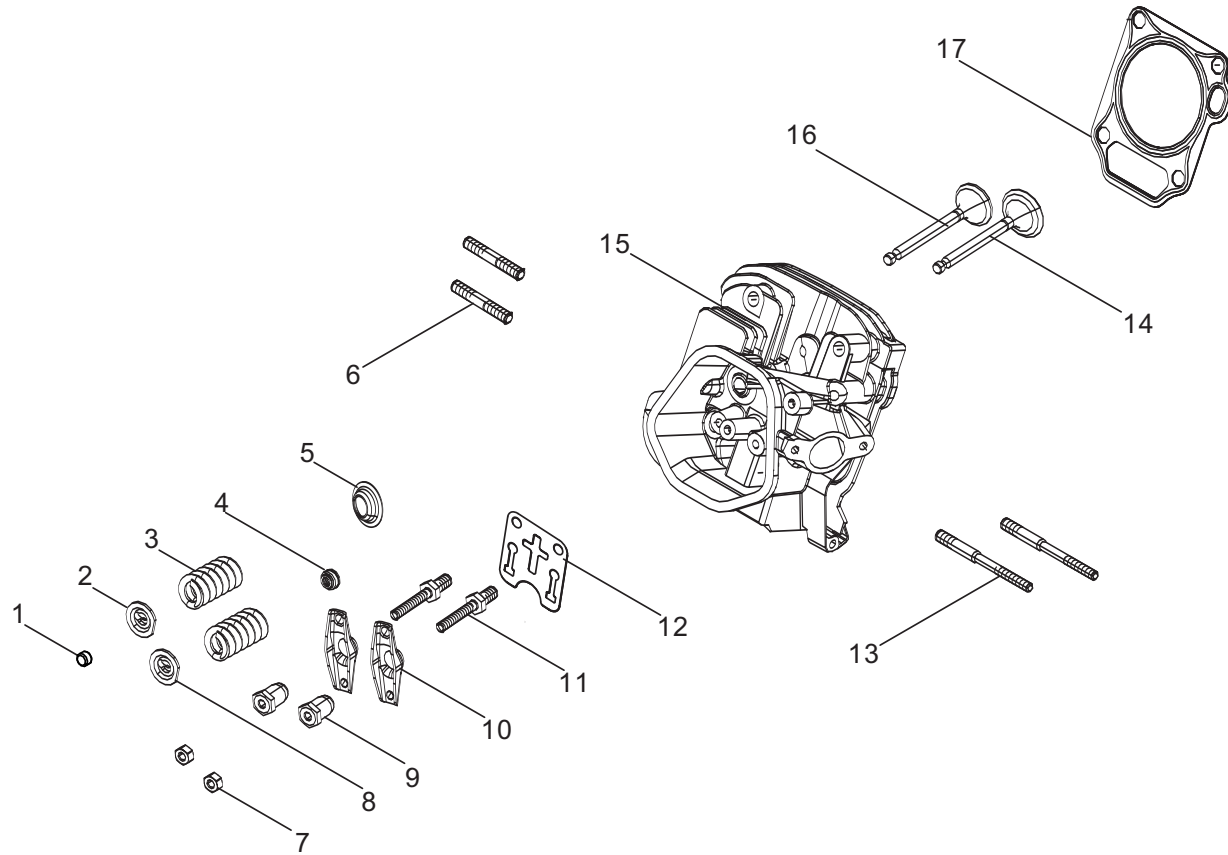


Figure C

CYLINDER HEAD PARTS LIST

#	Part Number	Description	Qty.
1	12104-000002	Valve Rotator, Ø6.7 x Ø9.5 x 6	1
2	12107-000002	Valve Spring Retainer, Exhaust valve	1
3	12103-000002	Valve Spring, Ø22.9 x Ø2.9 x 39	2
4	12101-000002	Seal Guide	1
5	12105-000001	Valve Spring Seat, Ø11.7 x Ø26.5	1
6	90203-000002	M8 x 34 Stud, Blk Zn	2
7	14312-000001	Valve Lock Nut	2
8	12112-000001	Valve Spring Retainer	1
9	14314-000001	Valve Adjusting Nut	2
10	14311-000002	Valve Rocker	2
11	14313-000001	Valve Adjusting Bolt	2
12	14090-000002	Lifter Stopper Plate Assy, White Zn	1
13	90204-000011	M6/M8 x 110 Stud, Blk Zn	2
14	12111-000017	Inlet Valve	1
15	12140-000008	Cylinder Head Assy	1
16	12121-000006	Exhaust Valve	1
17	12131-000004	Cylinder Head Gasket	1

CARBURETOR PARTS DIAGRAM

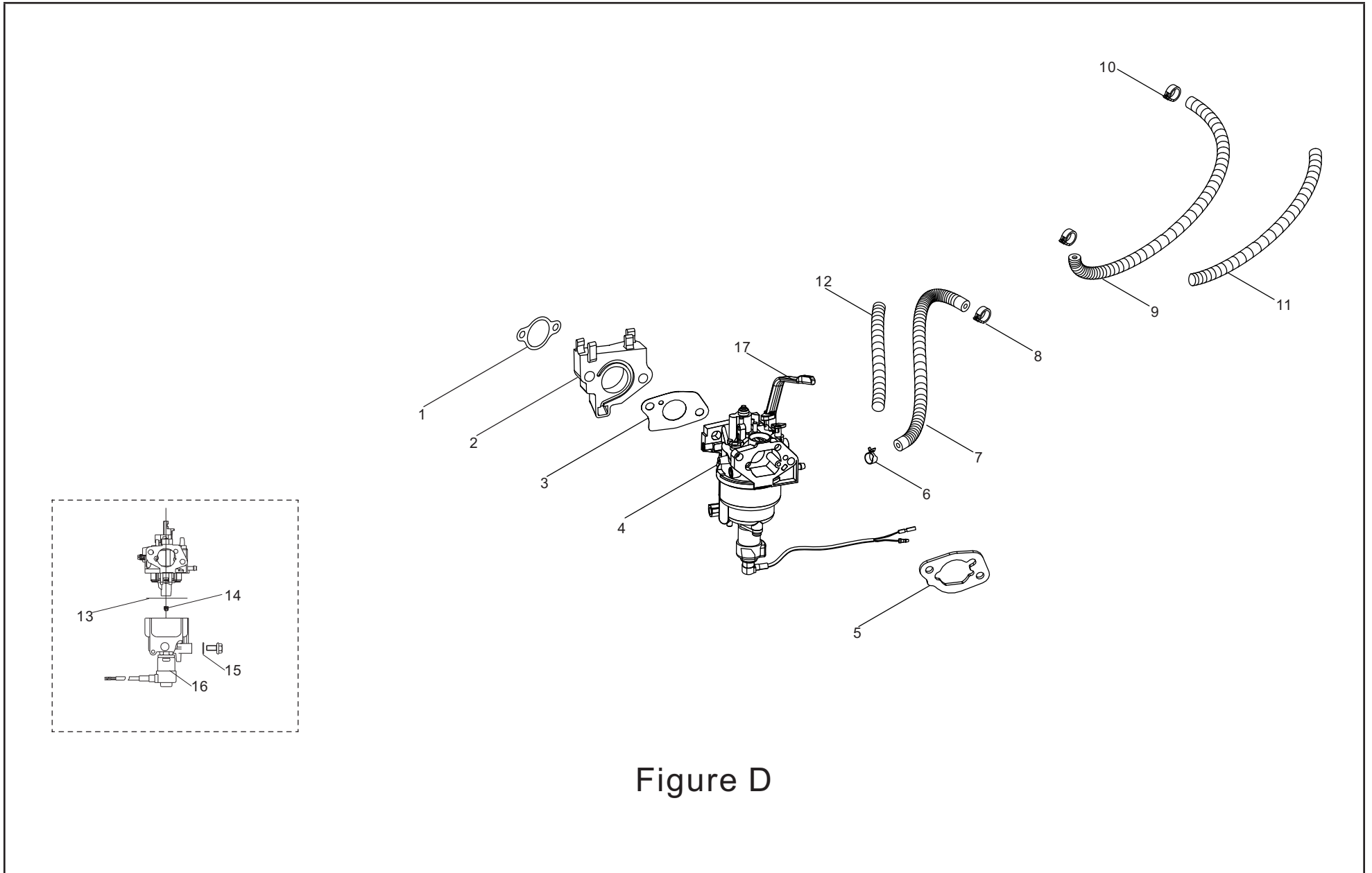


Figure D

CARBURETOR PARTS LIST

#	Part Number	Description	Qty.
1	17002-000005	Inlet Gasket	1
2	16003-000006	Carburetor Insulator Plate	1
3	16001-000003	Carburetor Gasket	1
4	16100-000014	Carburetor Assy	1
5	17001-000004	Air Cleaner Gasket	1
6	90685-000002	Clamp, Ø9 x 0.8 x 8	1
7	90686-000044	Tube, Ø4 x Ø10 x 455	1
8	90685-000007	Clamp, Ø9 x 0.8 x 8	2
9	90686-000061	Tube, Ø4 x Ø10 x 290	1
10	90685-000010	Clamp, Ø10.5 x 0.8 x 8	1
11	30431-000008	Rubber Sleeve,, Ø9.5 x Ø11 x 80	1
12	30431-000023	Rubber Sleeve,, Ø11.5 x Ø13.5 x 235	1
13	16112-000003	Seal Ring, Float	1
14	16161-000042	Main Jet(98#), Standard	1
	16161-000040	Main Jet(95#), Altitude 3000-6000 Feet	/
	16161-000038	Main Jet(92#), Altitude 6000-8000 Feet	/
15	90681-000007	Seal Ring, Ø17.8 x Ø2.4	1
16	16108-000002	Valve, Solenoid	1
17	16120-000002	Handle, Carburetor Choke	1

ALTERNATOR PARTS DIAGRAM

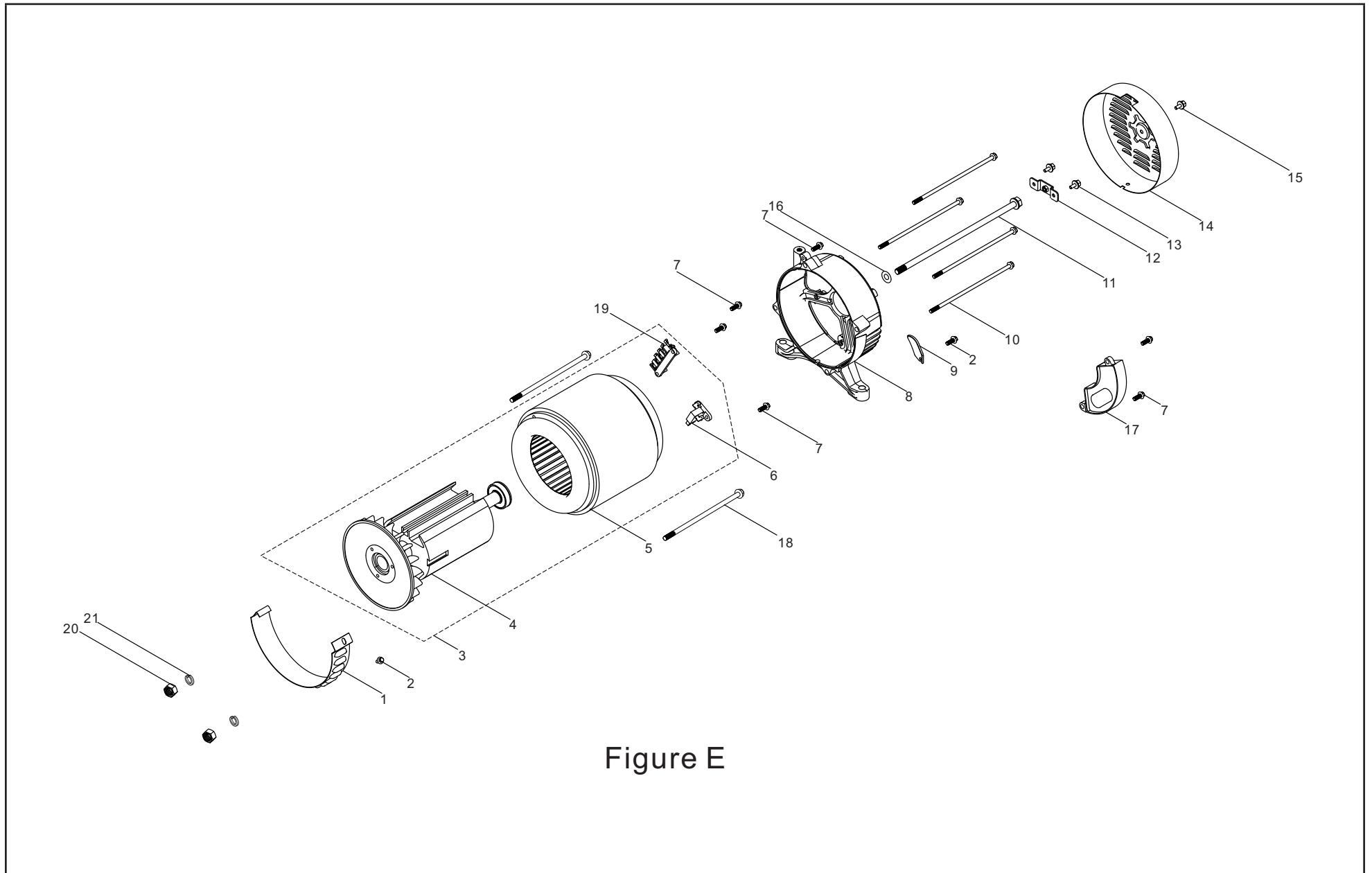


Figure E

ALTERNATOR PARTS LIST

#	Part Number	Description	Qty.
1	30024-000006	Alternator Shroud	1
2	90001-000001	M5 x 10 Hex Flange Bolt, White Zn	2
3	31300-000013	Alternator Assy, AL, D190 x 130	1
4	31330-000006	Rotor, AL, D190 x 130	1
5	31310-000005	Stator, AL, D190 x 130	1
6	31320-000003	Carbon Brush Assy	1
7	90001-000007	M5 x 16 Hex Flange Bolt, White Zn	5
8	30021-000005	Motor Bracket	1
9	30023-000007	Stopper, Motor Right Cover, White Zn	1
10	30048-000002	M6 x 170 Stator Bolt, White Zn	4
11	30049-000002	M10 x 255 Rotor Bolt, White Zn	1
12	51124-000010	Mounting Bracket, White Zn	1
13	90007-000003	M5 x 12 Hex Flange Bolt, Blk Zn	2
14	30022-000009	End Housing Cover, Yellow	1
15	90001-000019	M6 x 12 Hex Flange Bolt, Blk Zn	1
16	90408-000011	Flat Washer, Ø10.4 x Ø30 x 4, White Zn	1
17	30060-000018	Rectifier	1
18	31316-000004	M5 x 204 Stator Fixing Bolt	2
19	31303-000002	Terminal Block	1
20	31317-000001	M5 Stator Nut, Blk Zn	2
21	90403-000002	Standard Spring Washer, Ø5, Blk Zn	2

FUEL TANK PARTS DIAGRAM

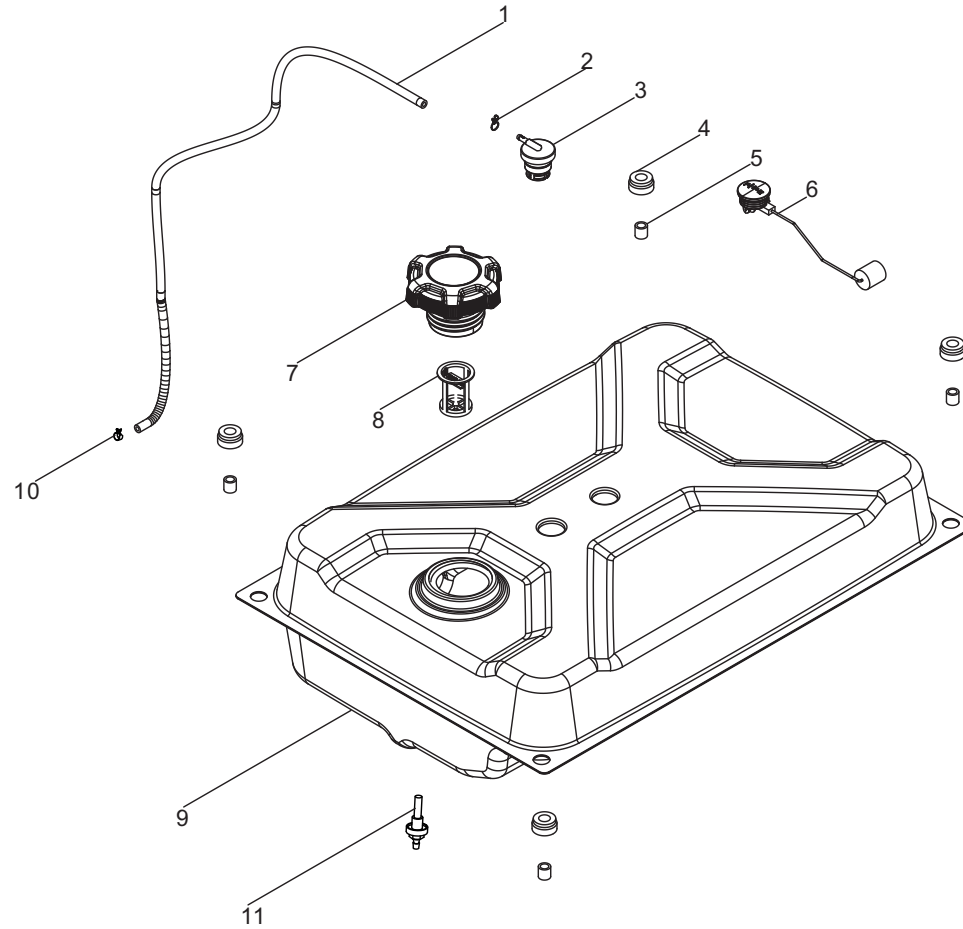


Figure F

FUEL TANK PARTS LIST

#	Part Number	Description	Qty.
1	16804-000027	Connection Tube, Ø4.5 x Ø8.5 x 845	1
2	90740-000005	Clamp, Ø9 x 1	1
3	15150-000003	Anti-Slosh Valve	1
4	16601-000001	Vibration Mount, Fuel Tank, 12.5x Ø16	4
5	90683-000001	Bushing	4
6	37200-000010	Fuel Gauge	1
7	16730-000010	Fuel Tank Cap	1
8	16652-000009	Fuel Filter	1
9	16620-000019	Fuel Tank, 29.1L, RT2910A	1
10	90685-000007	Clamp, Ø9.5x0.8x8	1
11	16680-000002	Fuel Tank Fuel Outlet Assy	1

CONTROL PANEL PARTS DIAGRAM

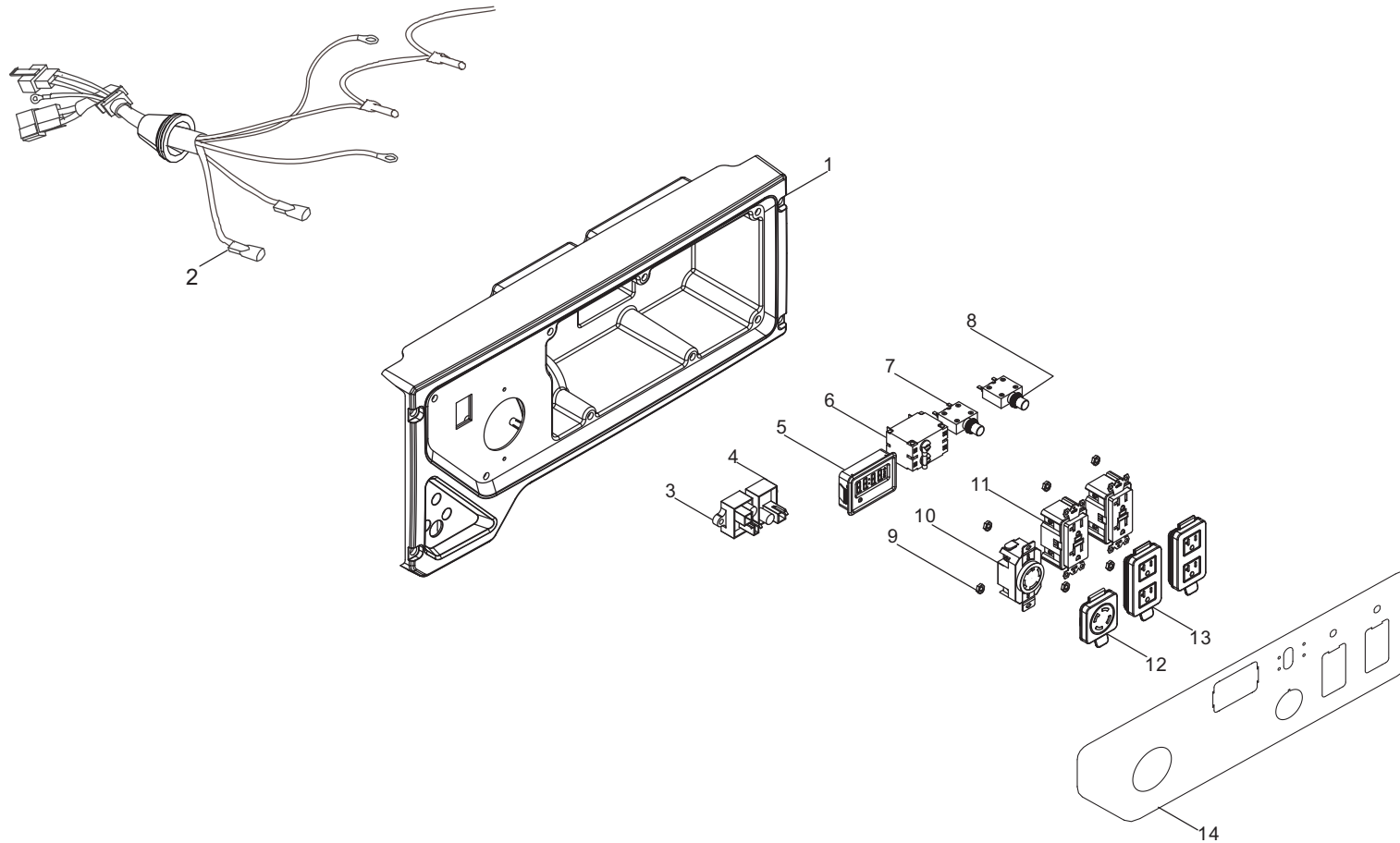


Figure G

CONTROL PANEL PARTS LIST

#	Part Number	Description	Qty.
1	35680-000026	Panel Seat	1
2	35660-000068	Wiring Harness, Control Panel	1
3	30008-000006	Control Module, EV02	1
4	30008-000003	Control Module, OV0402	1
5	35632-000006	Display, INT1A0F	1
6	35627-000005	Double-Pole Breaker	1
7	31234-000003	20Amp Circuit Breaker, Push Button, 125/250V	2
8	35654-000005	Push Button Cover	2
9	90305-000016	M4 Hex Flange Nut, White Zn	6
10	35614-000004	L14-30R Receptacle, 30A, 125V/250V	1
11	35614-000018	5-20R GFCI Receptacle, 20A, 125V	2
12	35654-000010	Receptacle Cover, L14-30R	1
13	35654-000013	Receptacle Cover, 5-20R	2
14	35650-000059	Control Panel	1

FRAME ASSEMBLY PARTS DIAGRAM

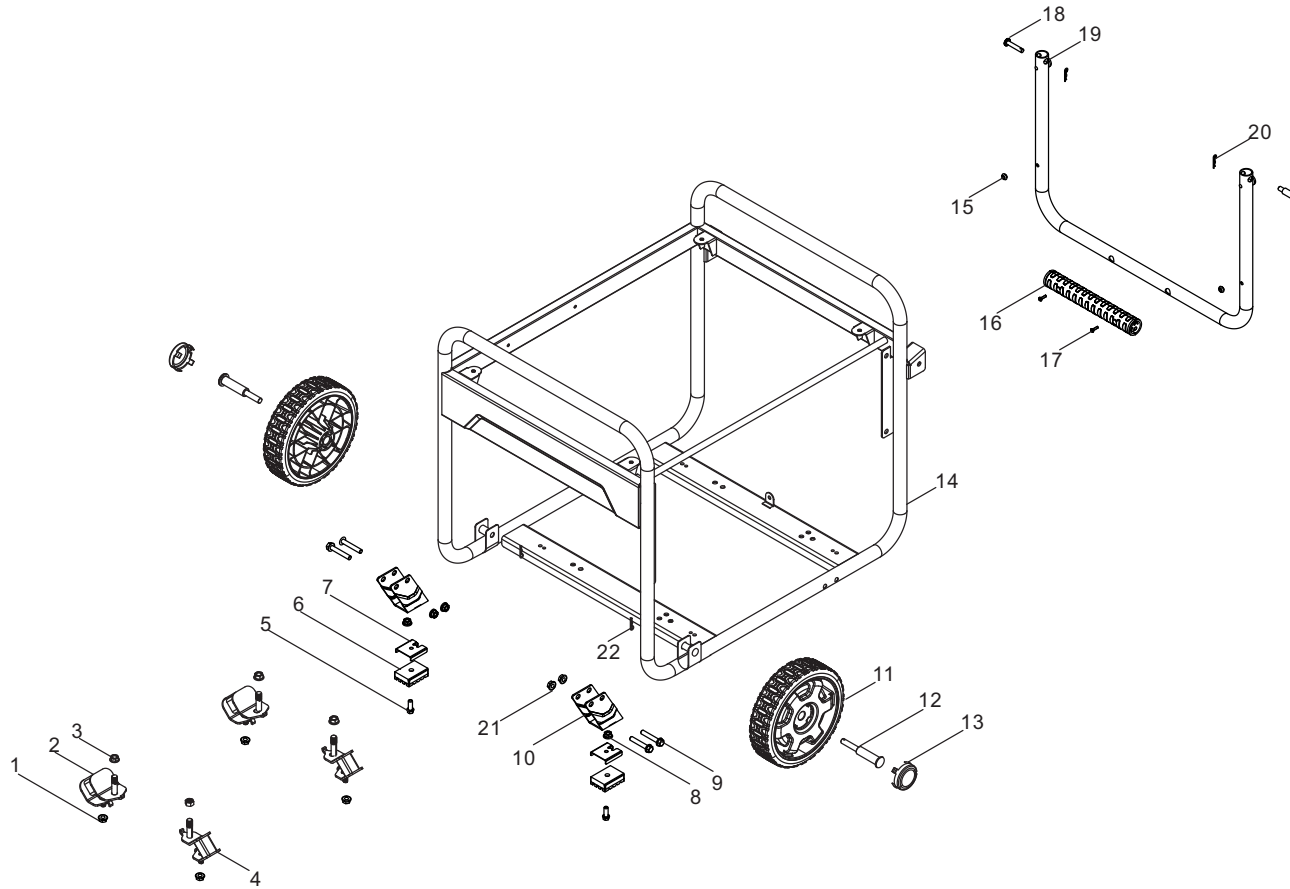


Figure H

FRAME ASSEMBLY PARTS LIST

#	Part Number	Description	Qty.
1	90305-000011	M8 Hex Flange Nut, Blk Zn	4
2	51012-000001	Rear Vibration Mount, Frame	2
3	90306-000002	M10 Hex Flange Nut, Blk Zn	4
4	51005-000004	Vibration Mount, Frame	2
5	90001-000025	M6 x 20 Hex Flange Bolt, Blk Zn	2
6	51014-000017	Vibration Mount, Support Leg	2
7	24329-000008	Block 2	2
8	90305-000008	M6 Hex Flange Nut, Blk Zn	2
9	90001-000051	M8 x 40 Hex Flange Bolt, Blk Zn	4
10	51016-000009	Support Leg	2
11	44110-000002	8in. Wheel, Yellow	2
12	44020-000010	Roll Pin, L=95, Blk Zn	2
13	44001-000003	Decorated Hub Cover	2
14	51100-000065	Frame Assy, 655 x 525 x 545	1
15	90722-000006	End Plug	2
16	54101-000006	Handle Sheath, 25 x 233	1
17	90103-000007	M4 x 16 Screw, Blk Zn	2
18	90504-000002	Pin Shaft, Blk Zn	2
19	54110-000013	Handle, 525 x 385 x 31	1
20	90583-000001	R Pin, Blk Zn	2
21	90305-000011	M8 Hex Flange Nut, Blk Zn	4
22	90501-000004	Pin, Blk Zn	2

WIRING DIAGRAM

