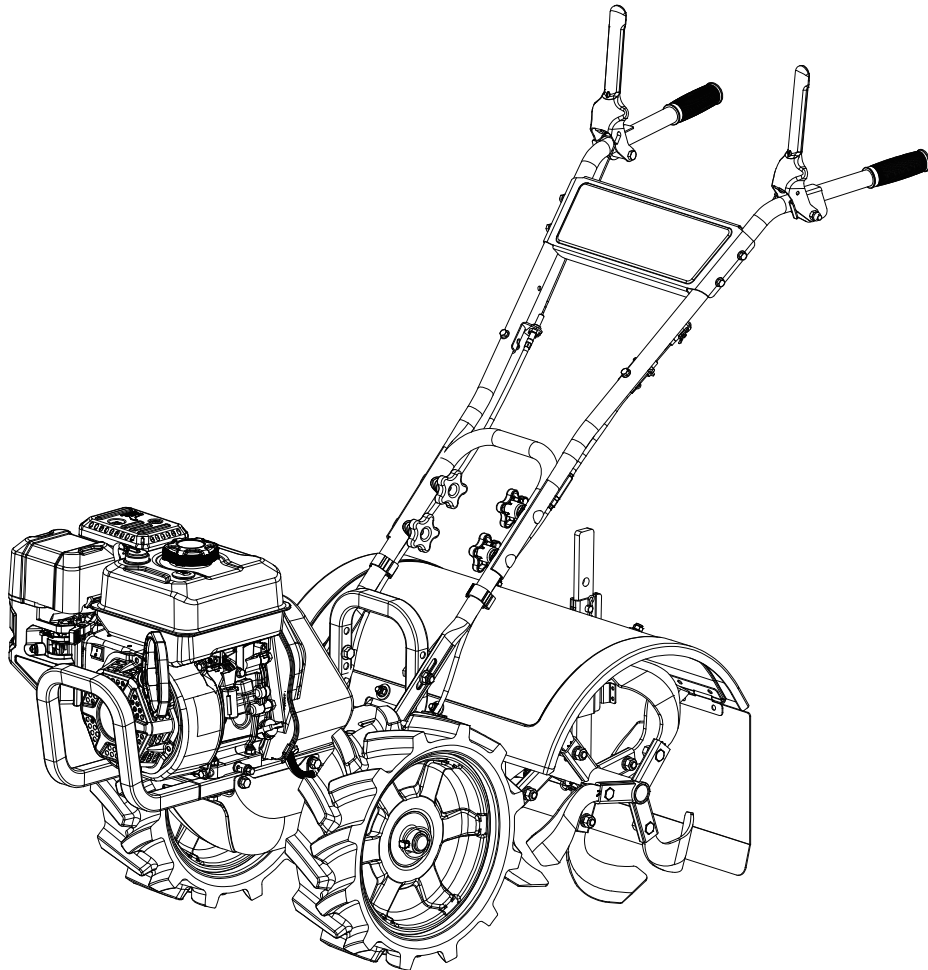




Champion Power Equipment, Inc.

MODEL #201098



PARTS INFORMATION

REAR TINE TILLER

SERIAL NUMBER RANGE: ALL

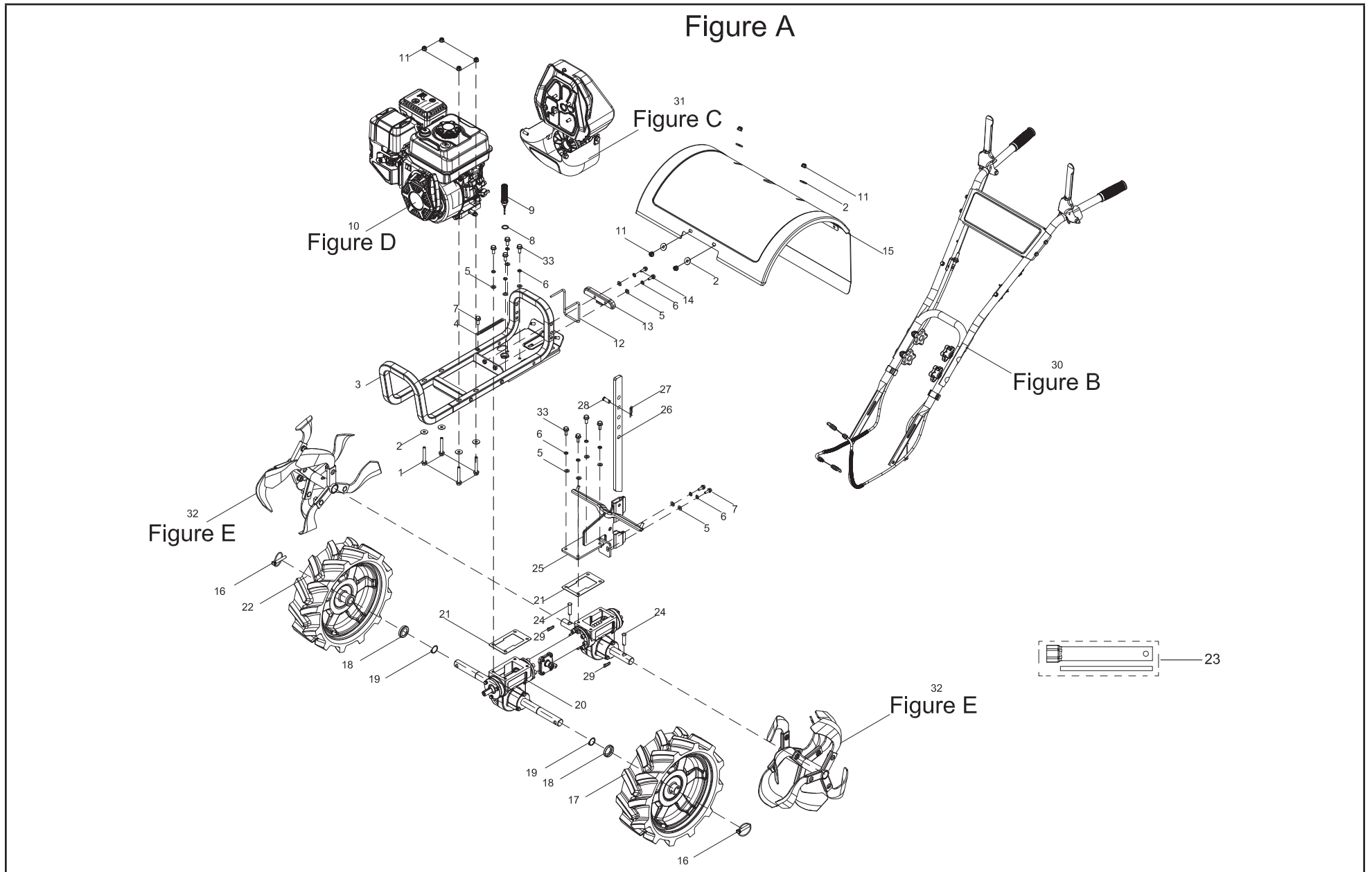


To order replacement parts please visit:
shop.championpowerequipment.com
or call **1-877-338-0999**.

TABLE OF CONTENTS

Tiller Parts Diagram	3
Tiller Parts List.....	4
Handlebar Parts Diagram	5
Handlebar Parts List.....	6
Pulley Assembly Parts Diagram	7
Pulley Assembly Parts List	8
Engine Parts Diagram	9
Engine Parts List.....	10
Blade Assembly Parts Diagram.....	12
Blade Assembly Parts List	13
Gearbox Assembly Parts Diagram.....	14
Gearbox Assembly Parts List	15

TILLER PARTS DIAGRAM



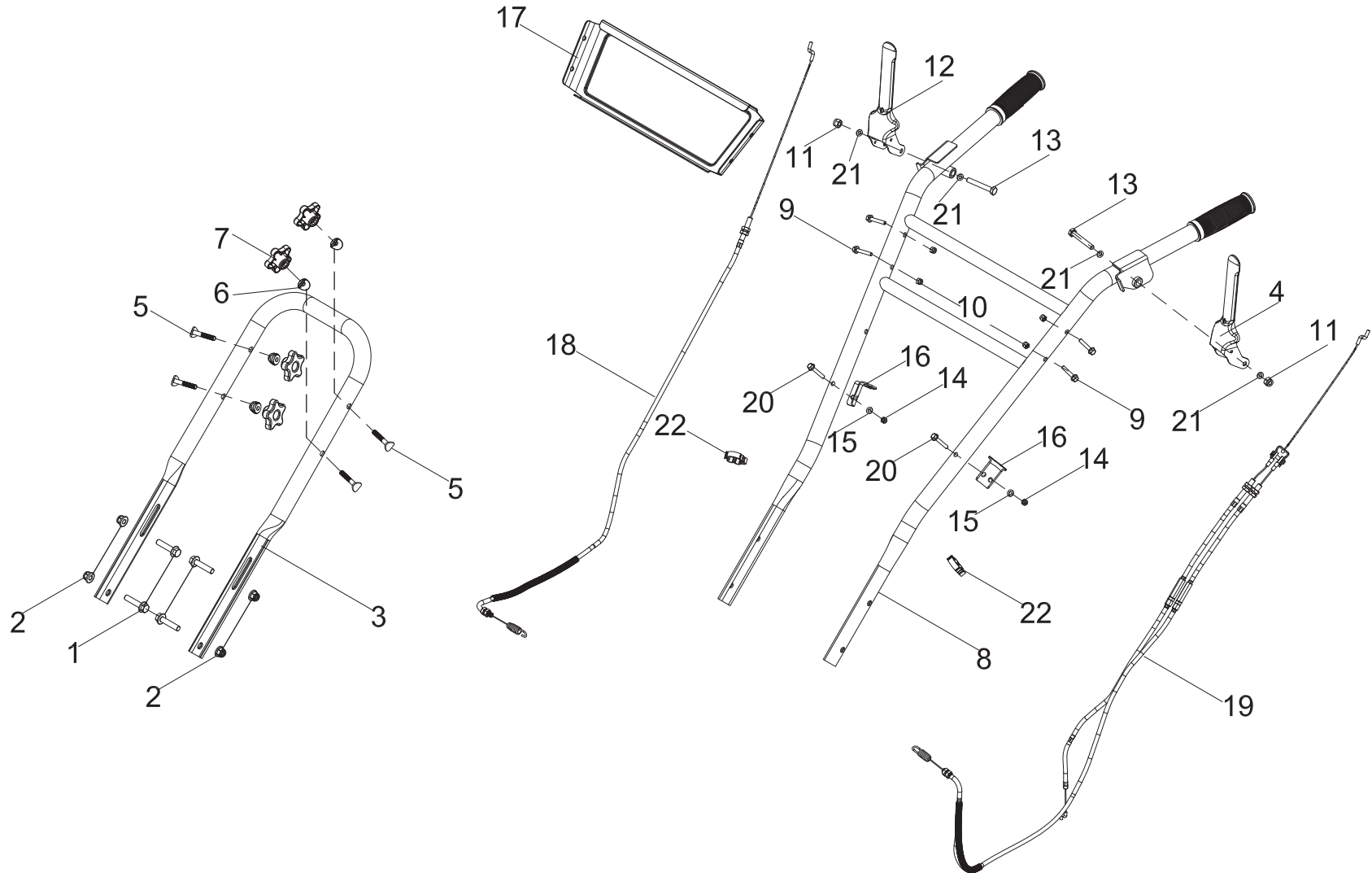
TILLER PARTS LIST

#	Part Number	Description	Qty.
1	100011335-0002	M8 x 60 GB5789 Bolt	4
2	100010899-0002	GB96.1 Washer, Ø8	8
3	100763871-0001	Frame Assembly	1
4	100056219	Clip B	1
5	100010911-0004	GB97.1 Washer, Ø8	12
6	100010887-0004	Washer, Ø8	12
7	100011313-0004	M8 x 20 GB5789 Bolt	3
8	100032774	Gasket	1
9	100764409-0003	Dipstick Head	1
10	1ZC7WC098	Engine	1
11	100741892-0001	M8 GB6183.1 Nut	8
12	100763889	V-Belt Guard	1
13	100764408-0001	Curved Plate	1
14	100011314-0001	M8 x 23 GB5789 Bolt	2
15	100811661-0001	Fender	1
16	100756603	Elastic Pin	2
17	100763872-0002	Left Tire	1
18	100756604	Shroud	2
19	100740118	GB894.2 Retaining Ring,25	2
20	100763867-0001	Gearbox, See Figure F	1
21	100756577	Gasket	2
22	100763873-0002	Right Tire	1
23	100000121-0004	Spark Plug Wrench(engine)	1
24	100762228	Pin, Ø10 x 40	2
25	100764415-0001	Cover Board	1
26	100756578-0001	Resistance Plate	1
27	100128131	R-Pin	1
28	100764903	Pin, Ø10 x 25	1
29	100756806	B-Pin	2
30	100796523	Handlebar Assembly, See Figure B	1

#	Part Number	Description	Qty.
31	100796521	Pulley Assembly, See Figure C	1
32	100796522	Blade Assembly, See Figure E	1
33	100011315-0002	M8 x 25 GB5789 Bolt	8

HANDLEBAR PARTS DIAGRAM

Figure B

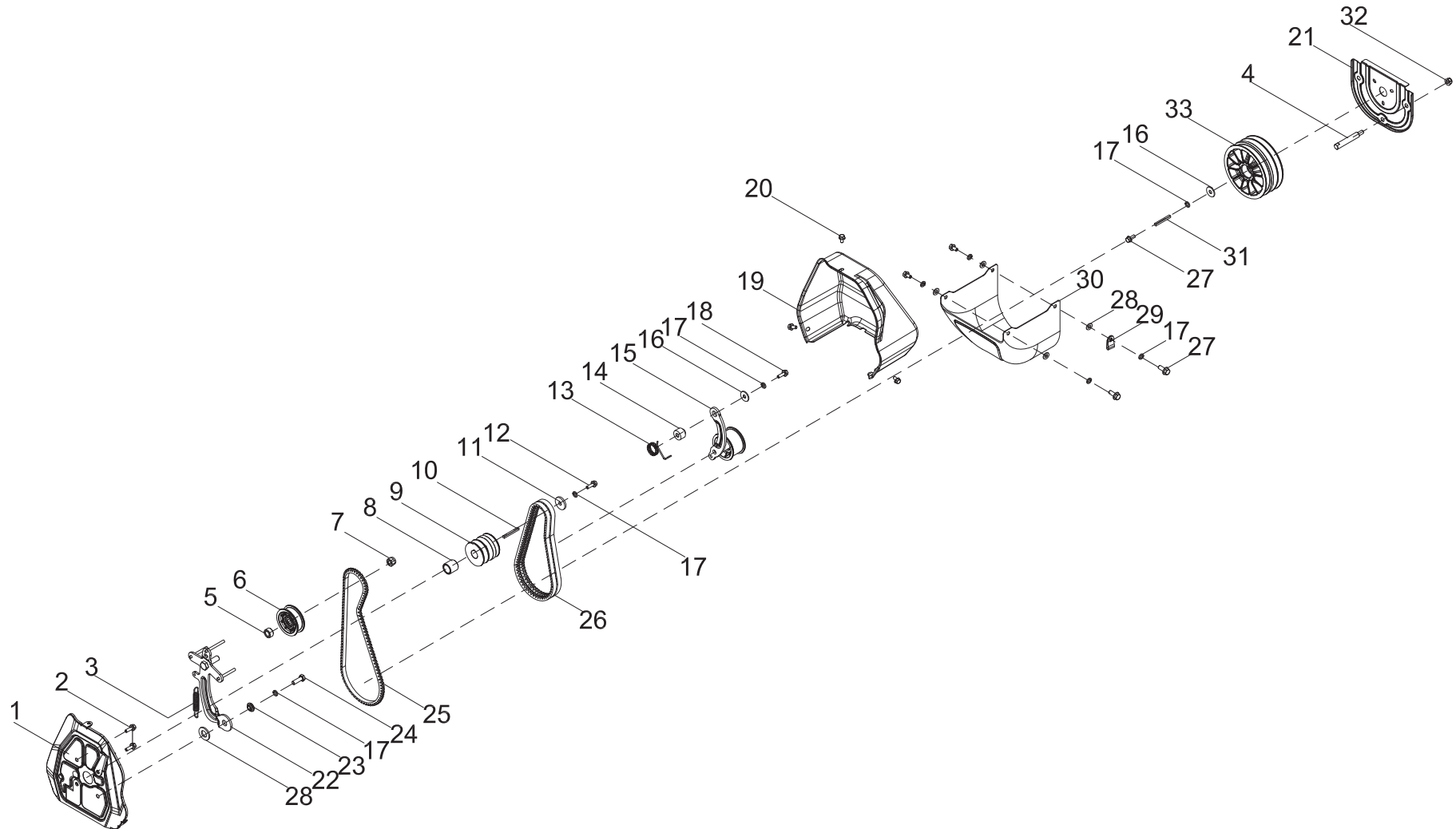


HANDLEBAR PARTS LIST

#	Part Number	Description	Qty.
1	100011358-0001	M10 x 45 GB5789 Bolt	4
2	100763660-0001	M10 GB6183.1 Nut	4
3	100811655-0001	Lower Handle Assembly	1
4	100812485	Clutch Handle 1	1
5	100021742-0001	GQ7.5/14.5 Bolt	4
6	100756567	Washer	4
7	100756758	M8 Plastic Head Nut	4
8	100811654-0001	Upper Handle Assembly	1
9	100011271-0002	M6 x 35 GB5789 Bolt	4
10	100011067-0007	M6 GB889.1 Nut	4
11	100011069-0002	GB889.1 Nut, M8	2
12	100811659	Clutch Handle 2	1
13	100736061-0001	GB5783 Bolt, M8 x 55	2
14	100011438-0001	GB6172.2 Nut, M6	2
15	100010910-0003	Washer, Ø6	2
16	100811660-0001	Cable Mounting Seat	2
17	100756570-0001	Handlebar Guard	1
18	100811656	Clutch Cable 1	1
19	100811657	Clutch Cable 2	1
20	100011271-0003	M6 x 35 GB5789 Bolt	2
21	100010911-0004	Ø8 GB97.1 Washer	4
22	100764093	Wire Clip	2

PULLEY ASSEMBLY PARTS DIAGRAM

Figure C



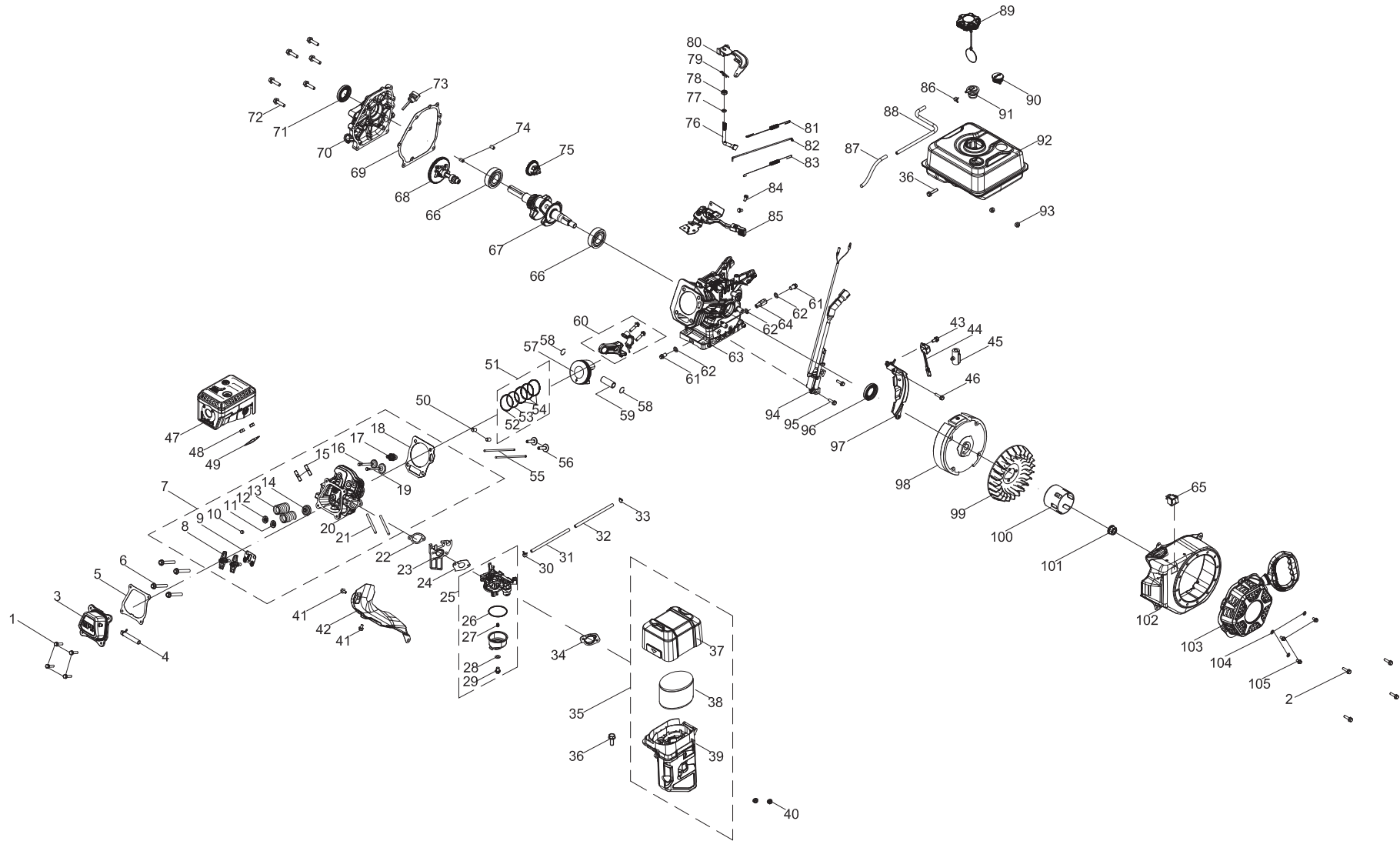
PULLEY ASSEMBLY PARTS LIST

#	Part Number	Description	Qty.
1	100763876-0001	Protect Plate	1
2	100011311-0005	M8 x 16 GB5789 Bolt	2
3	100763931	Governor Gear Spring	1
4	100763930	Stop Bolt	1
5	100763887	Bush, Ø10.5 x Ø18 x 10	1
6	100763888	Tensioner	1
7	100011070-0001	M10 GB889.1 Nut	1
8	100763879	Bushing, Ø19.5 x Ø25 x 23.5	1
9	100763878	Pulley	1
10	100010630	Key, 4.75 x 4.75 x 42	1
11	100010454	Washer, Ø8.4 x 4 x Ø30	1
12	100023525-0001	Bolt, 5/16-24 x 45	1
13	100763882	Return Spring	1
14	100763881	Bush	1
15	100764411	Tensioner	1
16	100010899-0002	GB96.1 Washer, Ø8	2
17	100010887-0004	GB93 Washer, Ø8	8
18	100011327-0001	M8 x 43 GB5789 Bolt	1
19	100763877-0002	Pulley Shield	1
20	100011260-0005	M6 x 10 GB5789 Bolt	3
21	100763874-0002	Driven Pulley Base Plate	1
22	100811658	Tension Arm	1
23	100756581	Bush	1
24	100011185-0002	M8 x 25 GB5783 Bolt	1
25	100811662	V-Belt	1
26	100763895	V-Belt	2

#	Part Number	Description	Qty.
27	100011313-0004	M8 x 20 GB5789 Bolt	5
28	100010911-0004	GB97.1 Washer, Ø8	5
29	100756573	Clip	1
30	100763875-0002	Pulley Shield	1
31	100010606	Key, 5 x 5 x 25	1
32	100741892-0001	M8 GB6183.1 Nut	1
33	100763885	Pulley	1

ENGINE PARTS DIAGRAM

Figure D



ENGINE PARTS LIST

#	Part Number	Description	Qty.
1	100011264-0003	M6 x 16 Flange Bolt, GB5789	4
2	100011262-0003	M6 x 14 Flange Bolt	4
3	100002335	Cylinder Head Cover(Cpe)	1
4	100002832	Breather Tube	1
5	100079562	Gasket, Cylinder Head Cover	1
6	100002464-0001	M8 x 60 Flange Bolt	4
7	100734143	Cylinder Head Assembly	1
8	100004420	Rocker Arm	2
9	100050881	Push Rod Guide Plate	1
10	100004588	Retainer, Valve	1
11	100004580	Intake Valve Spring Seat	1
12	100004585	Exhaust Valve Spring Seat	1
13	100004564	Spring Valve	2
14	100004600	Intake Valve Oil Seal	1
15	100010387	M8 x 34 Stud Bolt	2
16	100057969	Exhaust Valve	1
17	100009378	Spark Plug F6RTC	1
18	100155656	Cylinder Head Gasket	1
19	100004522	Intake Valve	1
20	100002378	Cylinder Head	1
21	100733507	M6 x 117 Stud Bolt	2
22	100078607	Insulator Gasket	1
23	100005599	Carburetor Insulator	1
24	100078606	Carburetor Gasket	1
25	100763777-0001	Carburetor Assembly	1
26	100005717	Fuel Bowl O-Ring	1
27	100005764	Main Jet Standard	1
	100073724	Main Jet Altitude 1000-3000m	/
28	100006037	Fuel Bowl Mounting Bolt Gasket	1
29	100005725	Fuel Bowl Mounting Bolt	1

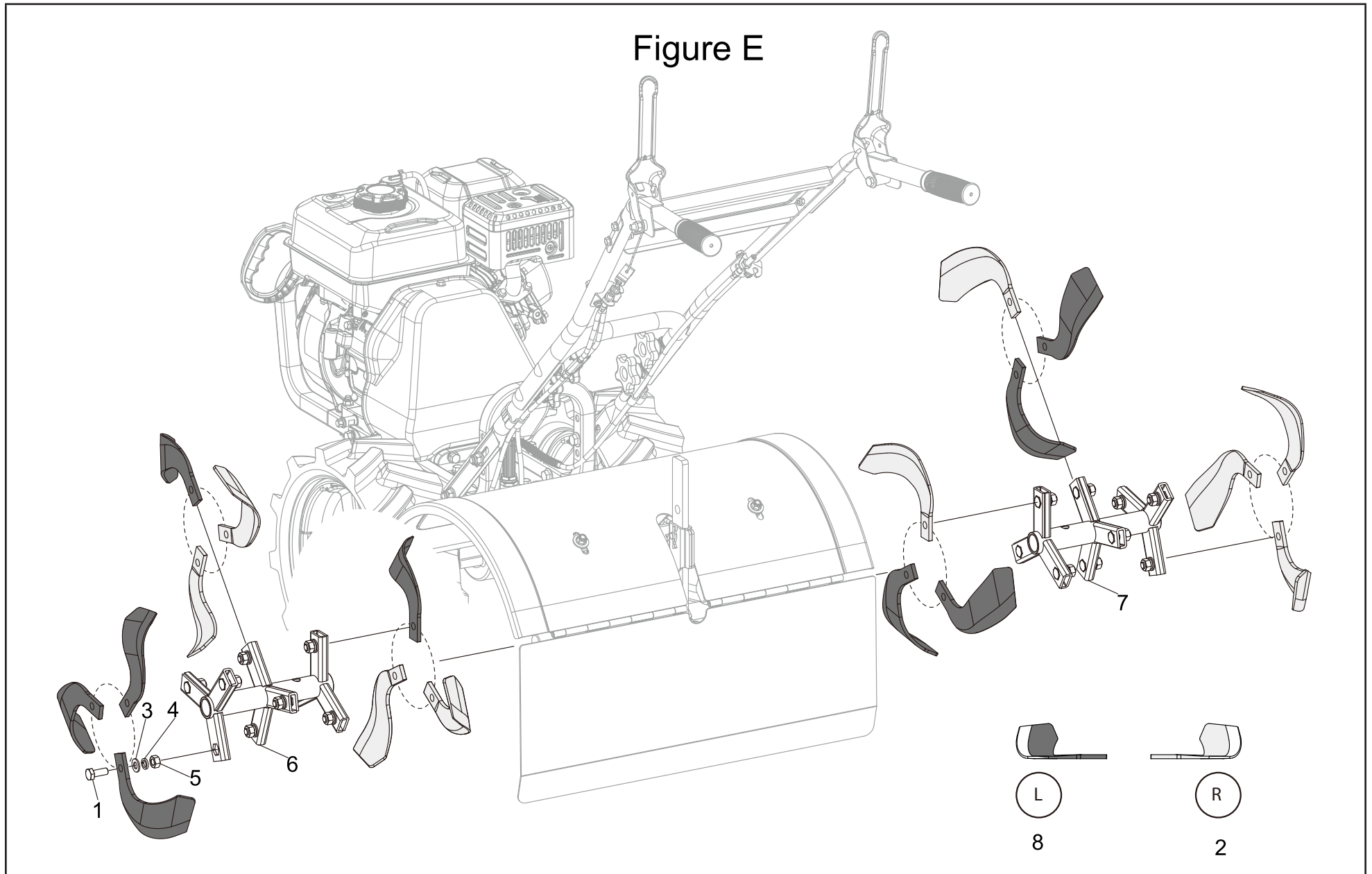
#	Part Number	Description	Qty.
30	100005149	Clamp Ø7.5	1
31	100063788	Fuel Tube, Ø4 x Ø8 x 157	1
32	100009151	Fuel Hose Jacket 2	1
33	100005137	Clamp	1
34	100005629	Air Cleaner Base Gasket	1
35	100732678	Air Cleaner Assembly	1
36	100011269-0003	M6 x 28 Flange Bolt	2
37	100734201	Air Cleaner Cover	1
38	100746758	Air Cleaner Element	1
39	100734203	Air Cleaner Base	1
40	100011463-0004	M6 Flange Nut GB6177.1	2
41	100011260-0005	M6 x 10 Flange Bolt, GB5789	2
42	100007083	Lower Air Guide	1
43	100011261-0004	M6 x 12 Flange Bolt	1
44	100010040	Oil Sensor	1
45	100000657	Clip	1
46	100011266-0004	M6 x 20 Flange Bolt	1
47	100771217	Muffler	1
48	100011422-0004	M8 Flange Nut, GB6170	2
49	100006526	Muffler Gasket	1
50	100010558	Dowel Pin Ø10 x 16	2
51	100003243	Piston Ring Set	1
52	100072134	1st Piston Ring	1
53	100072135	2nd Piston Ring	1
54	100072136	Oil Ring	1
55	100004395	Push Rod	2
56	100004262	Valve Lifter	2
57	100003086	Piston	1
58	100003221	Wrist Pin Circlip	2
59	100003123	Wrist Pin	1

#	Part Number	Description	Qty.
60	100003446	Connecting Rod Assembly	1
61	100010272	Drain Bolt, M10 x 1.25 x 15	2
62	100010459	Washer Ø10 x 1.5 x Ø16	3
63	100088026	Crankcase	1
64	100771470	Oil Drain Pipe	1
65	100733063-0001	Switch	1
66	100010680	Bearing, 6205	2
67	100023653	Crankshaft	1
68	100099599	Camshaft	1
69	100010148	Crankcase Cover Gasket	1
70	100720322	Crankcase Cover	1
71	100017651	Oil Seal Ø25 x Ø41.25 x 6, Spiral Grain	1
72	100011319-0001	M8 x 32 Flange Bolt	6
73	100004105-0006	Oil Dipstick Assembly	1
74	100010550	Dowel Pin Ø8 x 14	2
75	100008296	Governor Gear	1
76	100007975	Governor Shaft	1
77	100010113	Sealing Ring, Ø5.2 x 1.9	1
78	100017630	Oil Seal Ø6 x Ø11 x 4	1
79	100007986	Governor Shaft Cotter	1
80	100039298	Governor Arm	1
81	100007855	Governor Spring	1
82	100007947	Governor Rod	1
83	100752248	Throttle Return Spring	1
84	100011215-0001	M6 x 12 Flange Bolt	2
85	100764416	Control Assembly	1
86	100005148	Clamp Ø8	1
87	100748283	Vent Tube Sheath	1
88	100730897	Fuel Hose 1	1
89	100730969	Fuel Tank Cap	1
90	100730895	Fuel Gauge	1
91	100008968	Reversal Valve	1

#	Part Number	Description	Qty.
92	100730667-0002	Fuel Tank Assembly	1
93	100011452-0003	M6 Flange Nut	2
94	100755497	Ignition Module	1
95	100011268-0003	M6 x 25 Flange Bolt	2
96	100017644	Oil Seal Ø25 x Ø41.25 x 6	1
97	100150079	Lower Guard	1
98	100009503	Flywheel	1
99	100007028	Cooling Fan	1
100	100007550	Starter Pulley	1
101	100011459-0003	Flange Nut M14 x 1.5	1
102	100734204-0001	Fan Cover	1
103	100734205-0002	Recoil Starter	1
104	100010894-0002	Washer Ø6	3
105	100011565-0002	M6 x 10 Flange Bolt	3

BLADE ASSEMBLY PARTS DIAGRAM

Figure E

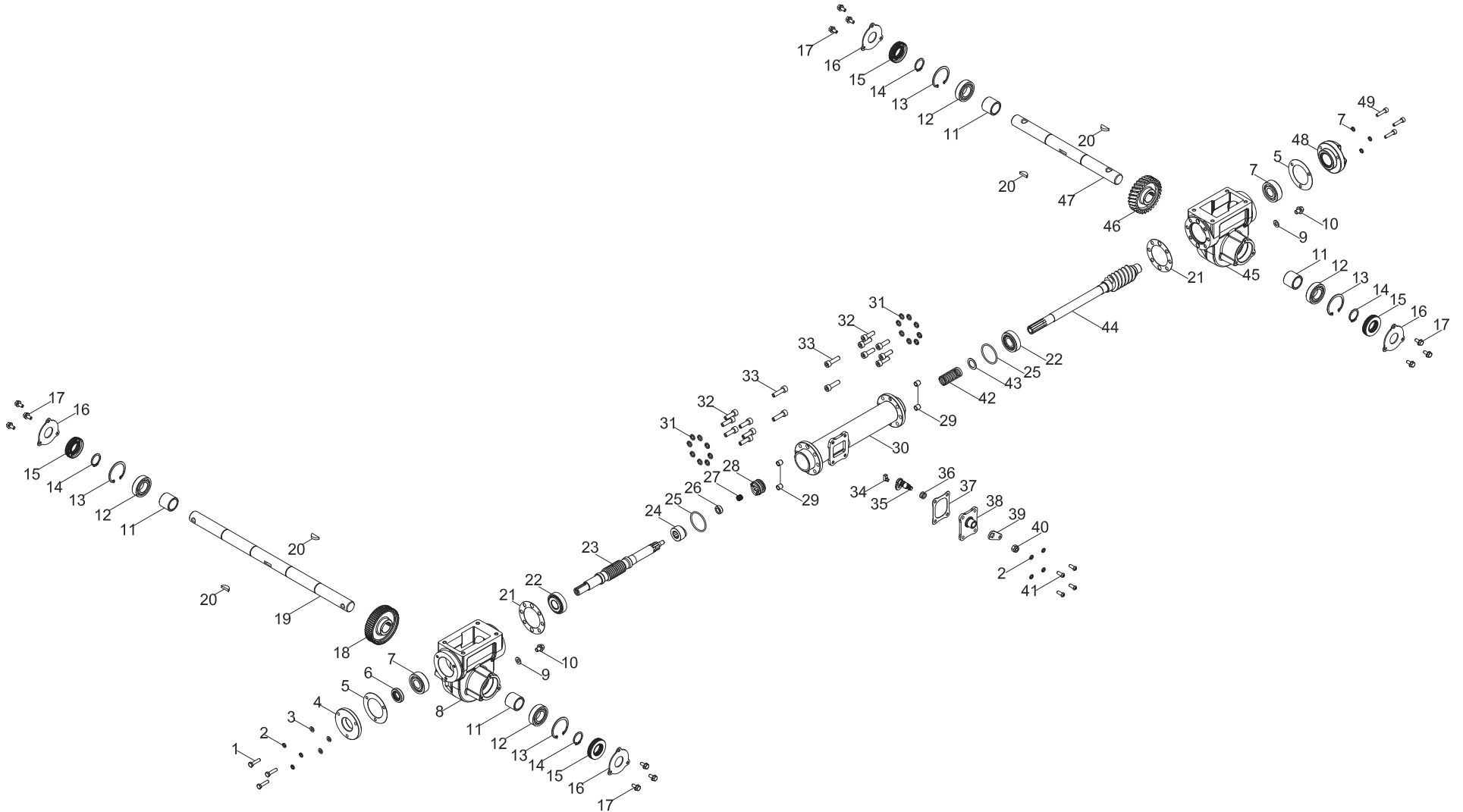


BLADE ASSEMBLY PARTS LIST

#	Part Number	Description	Qty.
1	100757924-0001	M10 x 1 x 25 Bolt, GB5786	18
2	100756627-0001	Right Blade	9
3	100010912-0002	GB97.1 Washer, Ø10	18
4	100010888-0002	GB93 Washer	18
5	100011429-0002	GB6171 Nut, M10 x 1	18
6	100763869-0001	Left Blade Base	1
7	100763870-0001	Right Blade Base	1
8	100756628-0001	Left Blade	9

GEARBOX ASSEMBLY PARTS DIAGRAM

Figure F



GEARBOX ASSEMBLY PARTS LIST

#	Part Number	Description	Qty.
1	100011175-0007	M6 x 25 Bolt, GB5783	3
2	100010886-0004	GB93 Washer, Ø6	7
3	100010910-0003	GB97.1 Washer, Ø6	3
4	100764808	Flange	1
5	100756597	Gasket	2
6	100764827	Oil Seal, Ø20 x Ø32 x 7	1
7	100010679	Bearing, 6204	2
8	100764805	Gear worm Box 1	1
9	100054057	Washer, Ø8 x 1.5 x Ø16	2
10	100738970-0001	Drain Bolt	2
11	100764824	Bushing, Ø32 x Ø10.5 x 6.5	4
12	100010671	Bearing, 6005	4
13	100011085	GB893.1 Retaining Ring, 47	4
14	100011105	GB894.1 Retaining Ring, 25	4
15	100769611	Oil Seal, Ø25 x Ø47 x 10	4
16	100764810	Side Cover	4
17	100011261-0004	M6 x 12 Bolt, GB5789	12
18	100764817	Turbine	1
19	100764803	Shaft	1
20	100764825	Woodruff Key, 5 x 9 x Ø22	4
21	100756607	Gasket	2
22	100010694	Bearing, 30204	2
23	100764814	Worm	1
24	100764819	Pawl	1
25	100764898	O-Ring, Ø45 x 2.65	2

#	Part Number	Description	Qty.
26	100764816	Bush, Ø17.5 x Ø10.5 x 6.5	1
27	100741729	Bearing, K8×11×9.5	1
28	100764820	Pawl Plate	1
29	100031685	Pin, Ø10 x 8.2	4
30	100764807	Tube	1
31	100010887-0005	GB93 Washer, Ø8	16
32	100010847-0003	Socket Head Cap Screw M8 x 25, GB70.1	12
33	100010849-0003	M8 x 25 Bolt, GB70.1	4
34	100764812	Clutch Block	1
35	100764811	Fork	1
36	100111196	O-Ring, Ø12 x 2	2
37	100764823	Gasket	1
38	100764822	Cover Board	1
39	100764813	Controlling Arm Assembly Clutch	1
40	100011069-0002	M8 Nut, GB889	1
41	100742877-0001	M6 x 15 Screw	4
42	100764821	Spring	1
43	100010489	Washer, Ø18 x 1 x Ø26	1
44	100764815	Worm	1
45	100764806	Gear worm Box 2	1
46	100764818	Turbine	1
47	100764804	Rotary Blade Shaft	1
48	100764809	Tail-Hood	1
49	100010840-0001	M6 x 25 Bolt, GB70.1	3