



ACTIVATE YOUR WARRANTY

by registering your product:
championpowerequipment.com



Intertek



1-877-338-0999

or visit championpowerequipment.com

SAVE THESE INSTRUCTIONS. This manual contains important safety precautions which should be read and understood before operating the product. Failure to do so could result in serious injury. This manual should remain with the product.

Specifications, descriptions and illustrations in this manual are as accurate as known at the time of publication, but are subject to change without notice.

TABLE OF CONTENTS

Introduction	3
Safety Definitions	4
Important Safety Instructions	5
Instructions for Champion Power Inlet Box	5
Before Installation	5
Safety Labels	6
Safety Symbols	6
Controls and Features	7
Power Inlet Box (PIB)	7
Parts Included	8
Tools Needed	8
Generator and Accessories Needed	8
Equipment Description	9
Installation	9
Unpacking	9
Power Inlet Box (PIB)	9
Installing Power Inlet Box (PIB)	10
Specifications	13
Warranty	14



FOR PARTS BREAKDOWN

Search by model number at
championpowerequipment.com

INTRODUCTION

Congratulations on your purchase of a Champion Power Equipment (CPE) product. CPE designs, builds, and supports all of our products to strict specifications and guidelines. With proper product knowledge, safe use, and regular maintenance, this product should bring years of satisfying service.

Every effort has been made to ensure the accuracy and completeness of the information in this manual at the time of publication, and we reserve the right to change, alter and/or improve the product and this document at any time without prior notice.

CPE highly values how our products are designed, manufactured, operated, and serviced as well as providing safety to the operator. Therefore, it is **IMPORTANT** to review this product manual and other product materials thoroughly and be fully aware and knowledgeable of the assembly, operation, dangers and maintenance of the product before use. Fully familiarize yourself, and make sure others who plan on operating the product fully familiarize themselves too, with the proper safety and operation procedures before each use. Please always exercise common sense and always err on the side of caution when operating the product to ensure no accident, property damage, or injury occurs. We want you to continue to use and be satisfied with your CPE product for years to come.

When contacting CPE about parts and/or service, you will need to supply the complete model and serial numbers of your product. Transcribe the information found on your product's nameplate label to the table below

CPE TECHNICAL SUPPORT TEAM
1-877-338-0999
MODEL NUMBER
201392
SERIAL NUMBER
DATE OF PURCHASE
PURCHASE LOCATION

SAFETY DEFINITIONS

The purpose of safety symbols is to attract your attention to possible dangers. The safety symbols, and their explanations, deserve your careful attention and understanding. The safety warnings do not by themselves eliminate any danger. The instructions or warnings they give are not substitutes for proper accident prevention measures.

DANGER

DANGER indicates a hazardous situation which, if not avoided, will result in death or serious injury.

WARNING

WARNING indicates a hazardous situation which, if not avoided, could result in death or serious injury.

CAUTION

CAUTION indicates a hazardous situation which, if not avoided, could result in minor or moderate injury.

NOTICE

NOTICE indicates information considered important, but not hazard-related (e.g., messages relating to property damage).

IMPORTANT SAFETY INSTRUCTIONS

WARNING

Cancer and Reproductive Harm - www.P65Warnings.ca.gov

Instructions for Champion Power Inlet Box

This manual has been prepared for familiarizing dealer/installer with the design, application, and installation of the equipment.

Read the manual carefully and comply with all instructions. It is recommended that a licensed electrician or an individual with complete knowledge of electricity perform the installation of the power inlet box.

This manual or a copy of this manual should remain with the power inlet box. Every effort has been taken to make sure that the contents of this manual are accurate and current.

The manufacturer reserves the right to change, alter or otherwise improve this manual and the product at any time without prior notice and without any obligation or liability whatsoever.

The manufacturer cannot anticipate every possible circumstance that might involve a hazard.

The warnings in this manual, tags and decals affixed to the unit are, therefore, not all-inclusive. If using a procedure, work method or operating technique the manufacturer does not specifically recommend, be sure to always follow all local municipal, state and national electrical codes to ensure safety for personnel.

Many accidents are caused by failing to follow simple and fundamental rules, codes and precautions. Before installing, or operating this equipment, read the SAFETY RULES carefully.

All installations must comply with local municipal, state and national codes.

Before Installation

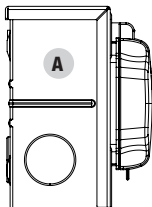
CAUTION

Consult with your Local municipal, State and National electrical codes for proper mandatory wiring methods.

Safety Labels

These labels warn you of potential hazards that can cause serious injury. Read them carefully.

If a label comes off or becomes hard to read, contact Technical Support Team for possible replacement.



Side

	LABEL	DESCRIPTION
A		Electric Shock Hazard

Safety Symbols

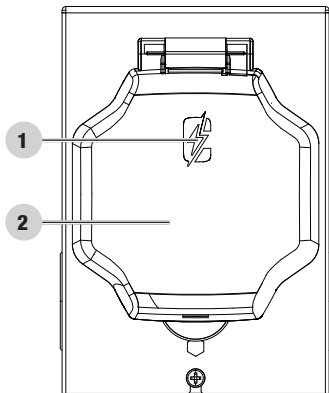
Some of the following symbols may be used on this product. Please study them and learn their meaning. Proper interpretation of these symbols will allow you to more safely operate the product.

SYMBOL	MEANING
	<p>Ground. Consult with local electrician to determine grounding requirements before operation.</p>

CONTROLS AND FEATURES

Read this installation manual before operating your power inlet box. Familiarize yourself with the location and function of the controls and features. Save this manual for future reference.

Power Inlet Box (PIB)



1. Power LED
2. Outlet Cover

Parts Included

Knockout Cover	1
Knockout Nut	1
Knockout Gasket	1

Tools Needed

- Power drill
- #2 Philips screwdriver
- Level
- Fastening Hardware

Generator and Accessories Needed

- Champion 25 ft. (7.6 m) Power Cord [#100395] or equivalent 30A 125/250V generator power cord with L14-30 connectors
- 120/240V Generator with L14-30R Outlet
- Manual Transfer Switch, Generator Interlock Kit, or Off-Grid Electrical Panel

EQUIPMENT DESCRIPTION

The easy to install Power Inlet Box (PIB), when paired with a manual transfer switch, interlock kit, or off-grid electrical panel, allows convenient power in your house during a power outage with your generator located safely outside - ONLY use generators OUTSIDE and far away from doors, windows and vents. With this Power Inlet Box, there is no longer a need to run extension cords from the generator through doors and windows to power your appliances during utility power outages. You will now have easily accessible power at your termination point of choice.

INSTALLATION

Unpacking

1. Use care when unpacking to avoid damaging components.
2. Layout all parts and compare to *Parts Included* section.

Power Inlet Box (PIB)

NOTICE

Since a portable generator is always operated outdoors, far away from occupied buildings, the included NEMA 3R outdoor rated Power Inlet Box (PIB) will be used to connect the generator to the termination point.

When the generator is providing power to the PIB with the Power Cord, the green LED indicator will be lit showing power to the PIB receptacle.

Installing Power Inlet Box (PIB)

NOTICE

Locate the PIB on an exterior wall that will ensure the generator will be far away from windows, doors, and vents.

Installation may vary depending on your homes wall material and construction.

During PIB installation, extra measures may be needed to ensure proper weatherproofing at the PIB hole cavity.

Read and follow the manufacturer's instructions for the manual transfer switch, interlock kit, or off-grid electrical you plan to use as your termination point.

Always use a sheathed cord assembly, cable, or wiring with the proper standardized colored sheathing and AWG size (minimum AWG 10) and four (4) copper wire conductors.

Consult a professional if you are unsure of proper method for your home.

CAUTION

Consult with your Local municipal, State and National electrical codes for proper mandatory wiring methods.

1. Run the appropriate AWG sized wires (minimum AWG 10 copper) into the power inlet box.

CAUTION

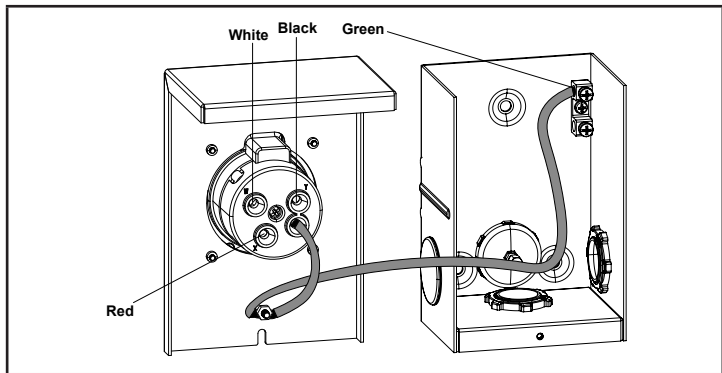
PVC cement can eat through wire insulation. Apply in thin layer, ensuring no PVC cement drips down into the conduit or contacts the wire insulation.

2. If using conduit, apply a small, thin layer of PVC cement to the conduit, position the conduit fitting over the conduit and press together firmly.
3. Place a level on the side of the power inlet box and ensure the box is level. Using the 3 holes provided on the back of the box, mount PIB on exterior wall using the appropriate fasteners and water sealing method.

NOTICE

Determine appropriate hardware, based off your homes wall material and construction such as mounting blocks, sealant, concrete screws, etc.

- Loosen screw on the grounding terminal inside the box. Cut green grounding wire of cable to final length and strip wire insulation. Making sure both green grounding wires from the PIB receptacle and cable are inserted in-between plates on the grounding terminal of PIB.
- Cut red, black, and white wires of cable to final length and strip wire insulation.
- On the back of the outlet, insert white wire into hole marked "W", tighten corresponding screw. Insert red wire into hole marked "X", tighten corresponding screw. Insert black wire into hole marked "Y", tighten corresponding screw.

**NOTICE**

Tighten all screws to 35 inch-pounds torque.

- Carefully fold wires into box, replace cover, and tighten bottom screw. Consult manufacturer's instructions for the transfer switch or your off-grid or interlocked electrical panel to make the proper wire connections at your termination point.

 DANGER

Generator exhaust contains carbon monoxide, a colorless, odorless, poisonous gas. Breathing carbon monoxide will cause nausea, dizziness, fainting or death. If you start to feel dizzy or weak, get to fresh air immediately.

SPECIFICATIONS

Model	201392
Outlet	L14-30P
Enclosure Rating	NEMA 3R
Conduit Knockout Size	3/4 inch (19.05 mm) nominal
Listings	UL 498, CSA C22.2 NO. 42

WARRANTY*

CHAMPION POWER EQUIPMENT

1 YEAR LIMITED WARRANTY

Warranty Qualifications

To register your product for warranty and FREE lifetime call center technical support please visit:

<https://www.championpowerequipment.com/register>

To complete registration you will need to include a copy of the purchase receipt as proof of original purchase. Proof of purchase is required for warranty service. Please register within ten (10) days from date of purchase.

Repair/Replacement Warranty

CPE warrants to the original purchaser that the mechanical and electrical components will be free of defects in material and workmanship for a period of one year (parts and labor) from the original date of purchase and 90 days (parts and labor) for commercial and industrial use. Transportation charges on product submitted for repair or replacement under this warranty are the sole responsibility of the purchaser. This warranty only applies to the original purchaser and is not transferable.

Do Not Return The Unit To The Place Of Purchase

Contact CPE's Technical Service and CPE will troubleshoot any issue via phone or e-mail. If the problem is not corrected by this method, CPE will, at its option, authorize evaluation, repair or replacement of the defective part or component at a CPE Service Center. CPE will provide you with a case number for warranty service. Please keep it for future reference. Repairs or replacements without prior authorization, or at an unauthorized repair facility, will not be covered by this warranty.

Warranty Exclusions

This warranty does not cover the following repairs and equipment:

Normal Wear

Products with mechanical and electrical components need periodic parts and service to perform well. This warranty does not cover repair when normal use has exhausted the life of a part or the equipment as a whole.

Installation, Use and Maintenance

This warranty will not apply to parts and/or labor if the product is deemed to have been misused, neglected, involved in an accident, abused, loaded beyond the product's limits, modified, installed improperly or connected incorrectly to any electrical component. Normal maintenance is not covered by this warranty and is not required to be performed at a facility or by a person authorized by CPE.

Other Exclusions

This warranty excludes:

- Cosmetic defects such as paint, decals, etc.
- Wear items such as filter elements, o-rings, etc.
- Accessory parts such as starting batteries, and storage covers.
- Failures due to acts of God and other force majeure events beyond the manufacturer's control.
- Problems caused by parts that are not original Champion Power Equipment parts.

Limits of Implied Warranty and Consequential Damage

Champion Power Equipment disclaims any obligation to cover any loss of time, use of this product, freight, or any incidental or consequential claim by anyone from using this product. THIS WARRANTY IS IN LIEU OF ALL OTHER WARRANTIES, EXPRESS OR IMPLIED, INCLUDING WARRANTIES OF MERCHANTABILITY OR FITNESS FOR A PARTICULAR PURPOSE.

A unit provided as an exchange will be subject to the warranty of the original unit. The length of the warranty governing the exchanged unit will remain calculated by reference to the purchase date of the original unit.

This warranty gives you certain legal rights which may change from state to state or province to province. Your state or province may also have other rights you may be entitled to that are not listed within this warranty.

Contact Information

Address

Champion Power Equipment, Inc.
6370 S Pioneer Way, Unit 101
Las Vegas, NV 89113 USA
www.championpowerequipment.com

Customer Service

Toll Free: 1-877-338-0999
info@championpowerequipment.com
Fax no.: 1-562-236-9429

Technical Service

Toll Free: 1-877-338-0999
tech@championpowerequipment.com
24/7 Tech Support: 1-562-204-1188