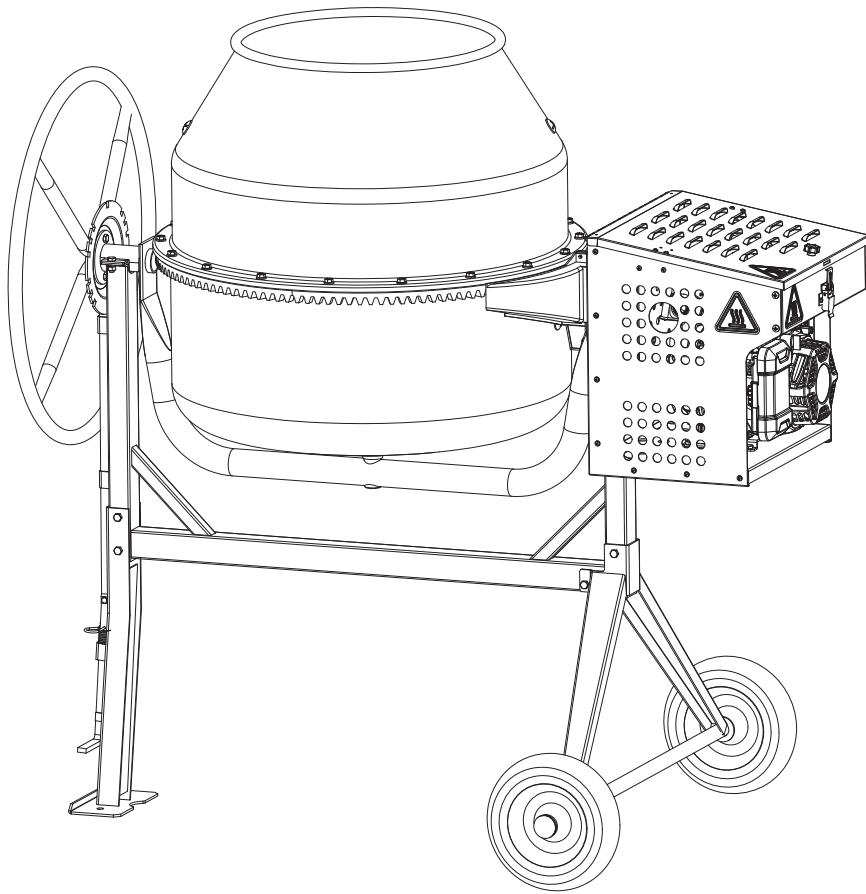




Champion Power Equipment, Inc.

MODEL #201495



PARTS INFORMATION

8.8 CU. FT., 79 CC CONCRETE MIXER

SERIAL NUMBER RANGE: ALL

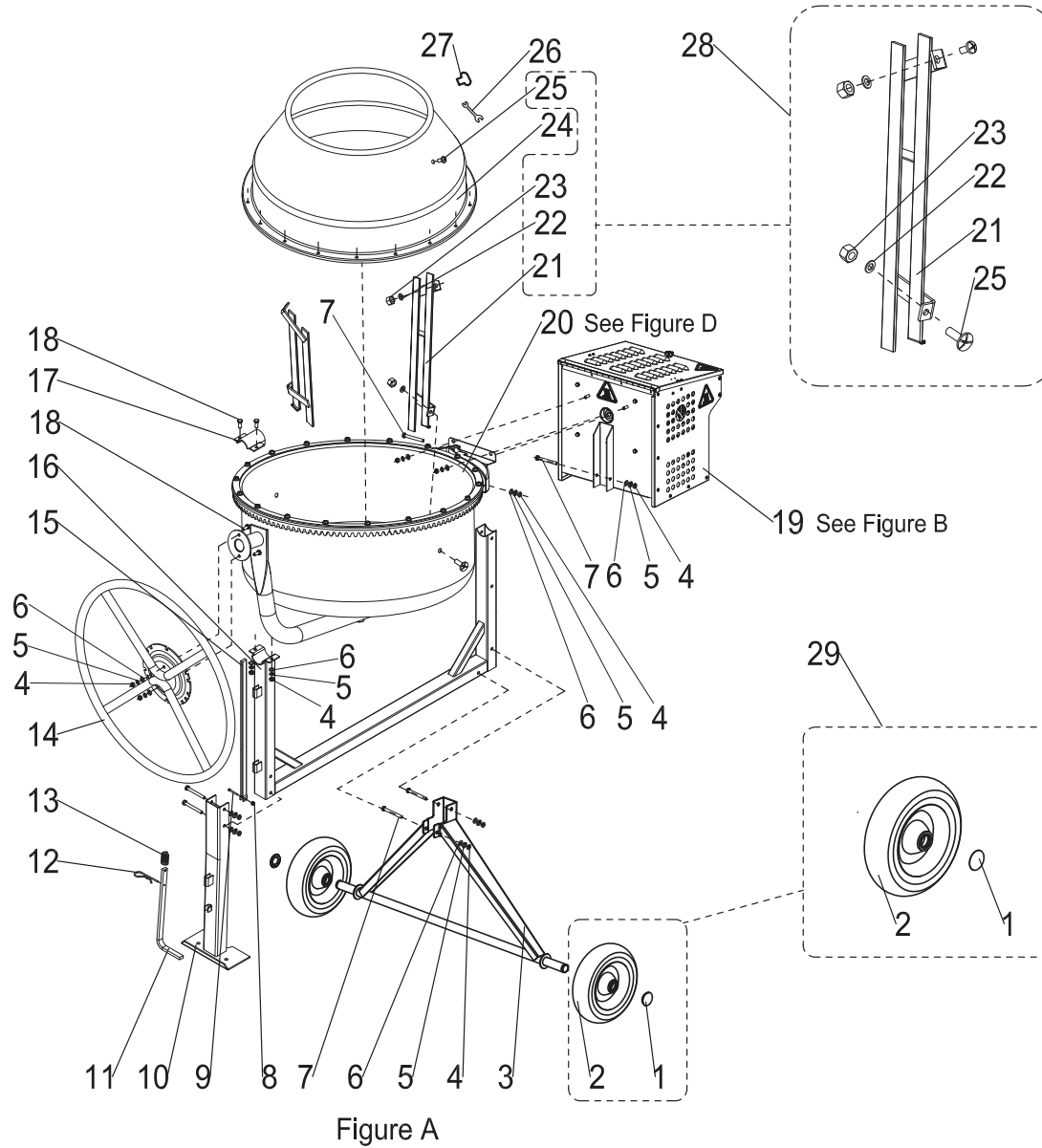


To order replacement parts please visit:
shop.championpowerequipment.com
or call **1-877-338-0999**.

TABLE OF CONTENTS

Concrete Mixer Parts Diagram	3
Concrete Mixer Parts List	4
Engine Assembly Parts Diagram	5
Engine Assembly Parts List	6
Engine Parts Diagram	7
Engine Parts List	8
Bottom Drum Assembly Parts Diagram.....	10
Bottom Drum Assembly Parts List	11

CONCRETE MIXER PARTS DIAGRAM



CONCRETE MIXER PARTS LIST

#	Part Number	Description	Qty.
1	205040528	Wheel Cap Ø25	2
2	206040075	Wheel 10" x 2.6"	2
3	405020866	Wheel Bracket	1
4	201040014	Nut M8	12
5	201050056	Lock Washer M8	12
6	201050062	Flat Washer Ø8	12
7	201030025	Bolt M8 x 70	6
8	201040024	Locknut M6	1
9	201030035	Bolt M6 x 25	1
10	405020265	Support Leg	1
11	402020066	Foot Lever	1
12	205040131	Pin Ø3.5	1
13	205030020	Spring	1
14	405020267	Drum Tipping Wheel	1
15	405020610	Wheel Lock Bar	1
16	405020280	U-Frame	1
17	403020445	Upper U-Bracket 1	1
18	201030019	Bolt M8 x 20	4
19	407020694	Engine Assembly, See Figure B	1
20	407020695	Bottom Drum Assembly, See Figure D	1
21	405020867	Mixing Blade	2
22	201050057	Lock Washer M12	4
23	201040016	Nut M12	4
24	403040073	Top Drum	1
25	201020029	Bolt M12 x 25	4
26	209020004	Wrench, 17-19 mm	1
27	302010046	Butterfly Wrench	1
28	109010038	Paddle Assembly	1
29	109010039	Wheel Kit	1

ENGINE ASSEMBLY PARTS DIAGRAM

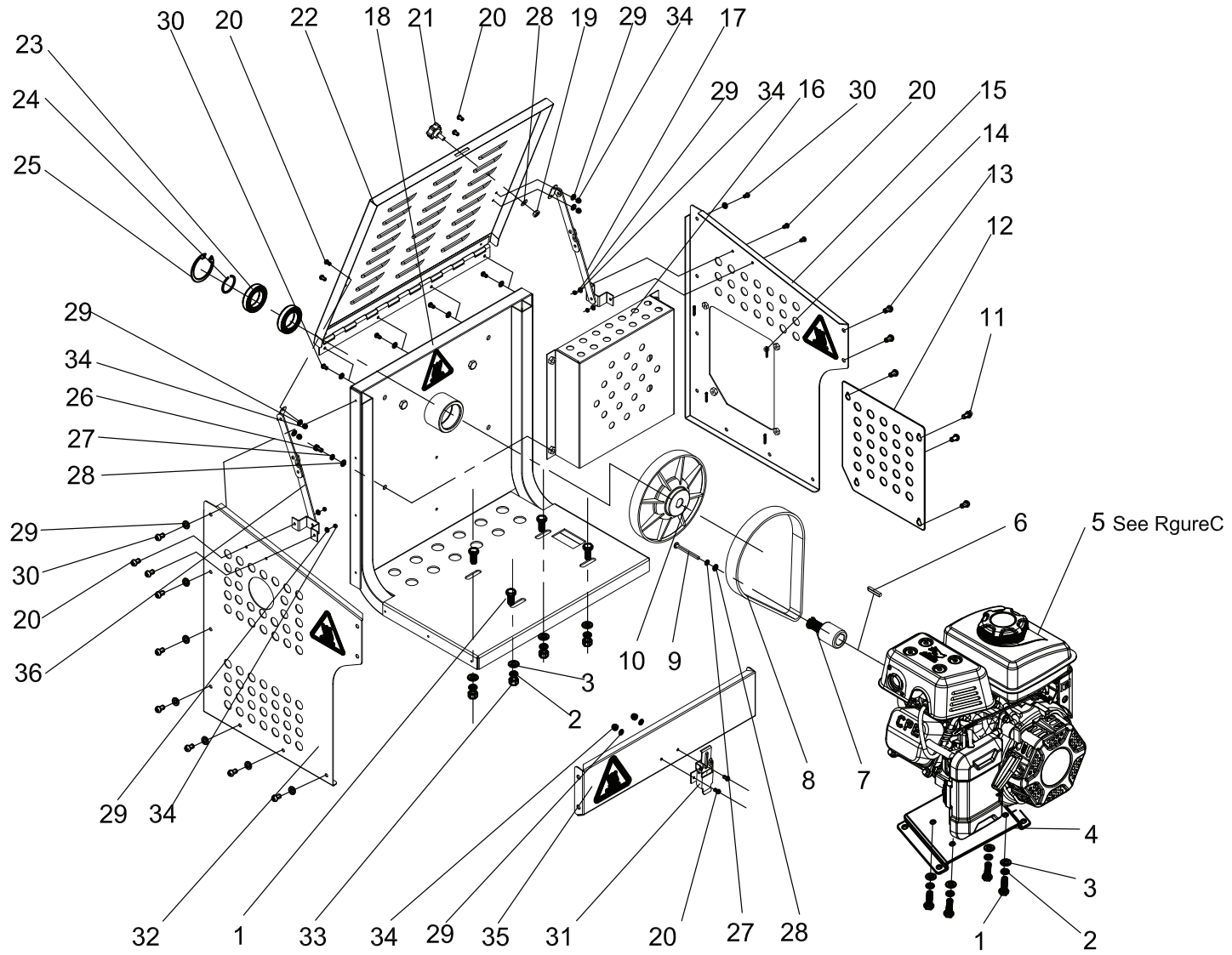


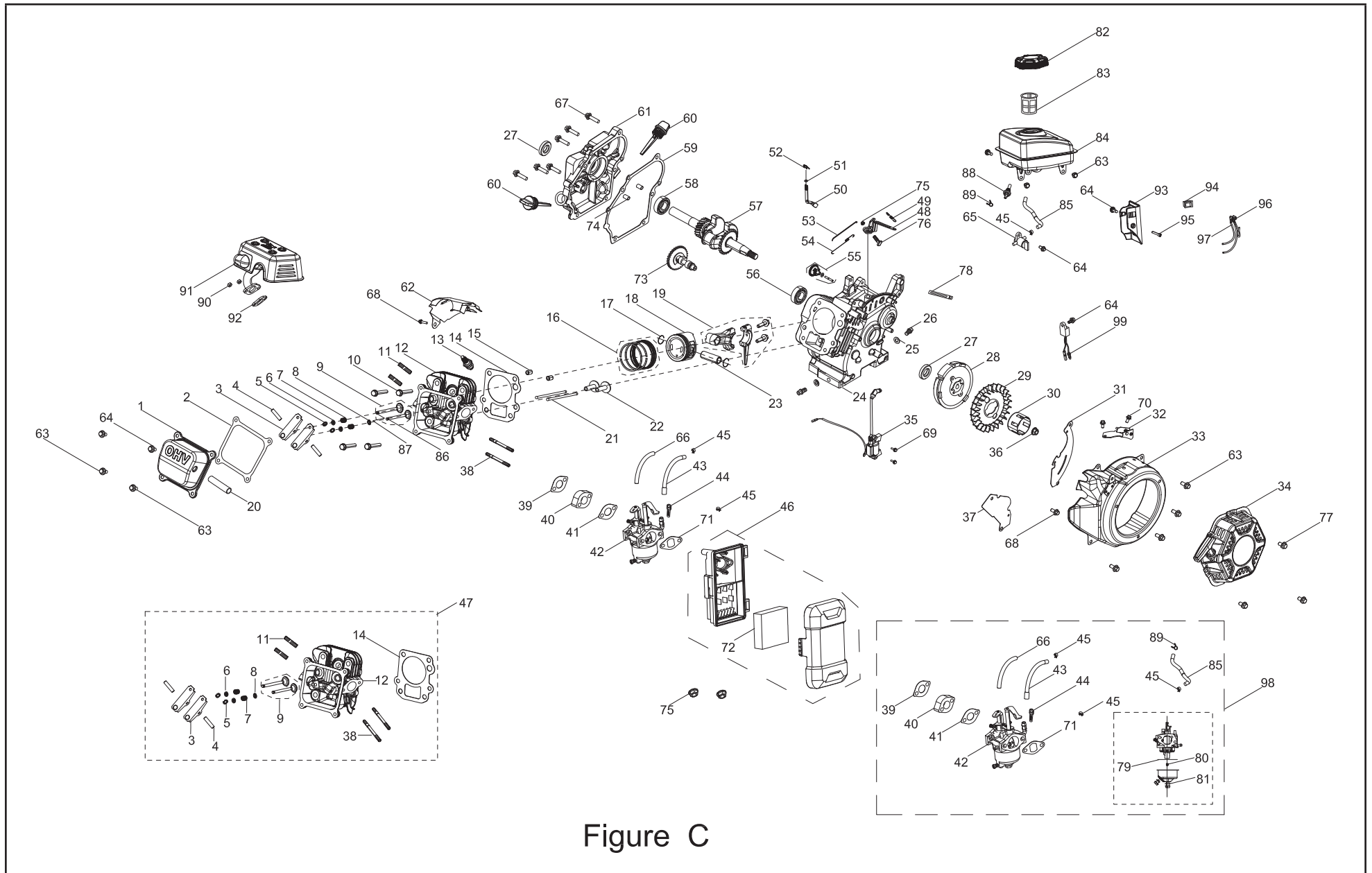
Figure B

ENGINE ASSEMBLY PARTS LIST

#	Part Number	Description	Qty.
1	201030019	Bolt M8x20	8
2	201050056	Lock Washer M8	8
3	201050062	Washer Ø8	8
4	404020603	Engine plate	1
5	R80-V-E00DK	79cc EPA Engine, See Figure C	1
6	90521-000001	Key 35 x 4.78 x 4.78	1
7	205040531	Multi-band output pulley	1
8	206020105	Belt 10PJ630	1
9	201030136	Hexagon Head Bolt M6 x 55	1
10	206010073	Belt Pulley	1
11	201020232	Screw M4 x 14	4
12	404020606	Right Cover Plate	1
13	201020028	Screw M6 x 12	4
14	201080068	Cotter Pin 1.2 x 10	4
15	404020605	Right Plate	1
16	404020167	Belt Reel Cover Plate	1
17	407020142	Support Rod, Right	1
18	405020868	Engine Stand	1
19	201040024	Locknut M6	1
20	201020046	Screw M4 x 12	10
21	206010010	Star Handle Knob	1
22	405020869	Top Door	1
23	201010012	Bearing 61906	2
24	201060022	Steel Cable Baffle Ring Ø30	1
25	201060016	Circlip Ø47	1
26	201030011	Bolt M6 x 16	4
27	201050003	Washer Ø6	5
28	201050055	Lock Washer M6	4
29	201050001	Washer Ø4	32
30	201020012	Screw M4 x 10	18

#	Part Number	Description	Qty.
31	407020583	Latch	1
32	404020604	Left Plate	1
33	201040014	Nut M8	4
34	201040037	Locknut M4	10
35	404020607	Front Plate	1
36	407020713	Support Rod, Left	1

ENGINE PARTS DIAGRAM



ENGINE PARTS LIST

#	Part Number	Description	Qty.
1	12410-000005	Cylinder Head Cover Assy	1
2	12004-000009	Cylinder Head Cover Gasket	1
3	14310-000004	Rocker Assy, Valve	2
4	14318-000003	Rocker Shaft Assy	2
5	12109-000004	Valve Lock Clamp, Ø4.985 x Ø8.475	4
6	12112-000008	Valve Spring Retainer	2
7	12103-000005	Valve Spring, Ø18 x Ø2	2
8	12101-000006	Seal Guide	1
9	12110-000004	Valve Set	1
10	12003-000007	Cylinder Head Bolt, M8 x 55, White Zn	4
11	90203-000001	Stud, M8 x 34, Blk Zn	2
12	12140-000005	Cylinder Head Assy	1
13	30010-000005	Spark Plug, M10 x 1 x 71, A5RTC	1
14	12131-000007	Cylinder Head Gasket	1
15	90502-000003	Pin, 8 x 14	2
16	13200-000008	Piston Ring Assy	1
17	13122-000004	Piston Pin Clip, Ø10.2 x Ø1	2
18	13111-000004	Piston	1
19	13010-000005	Connecting Rod, Ø23 x Ø10 x 68	1
20	17004-000012	Tube, Breather, Ø8 x Ø12 x 68	1
21	14071-000001	Valve Lifter, Ø5 x Ø3.5 x 117	2
22	14081-000001	Valve Tappet, Ø23.6 x Ø8 x 27	2
23	13121-000007	Piston Pin, Ø10 x Ø5.8 x 38	1
24	11310-000012	Crankcase Assy	1
25	90408-000019	Washer, Ø10 x Ø15.8 x 1.5	2
26	11007-000001	Drain Plug Bolt, M10 x1.25 x15, White Zn	2
27	90682-000012	Oil Seal, Ø17 x Ø30 x 6	2
28	13510-000018	Flywheel Assy	1
29	19352-000014	Cooling Fan, Engine	1
30	28002-000005	Starter Pulley	1

#	Part Number	Description	Qty.
31	30028-000001	Shroud Shield	1
32	16520-000027	Throttle Control Assy, White Zn	1
33	28110-000048	Shroud	1
34	28200-000002	Recoil Starter Assy	1
35	30400-000005	Ignition Coil	1
36	13501-000003	Flywheel Nut, M12 x 1.25, White Zn	1
37	19306-000004	Crankcase air Deflector	1
38	90204-000001	Stud, M6 x 96, Blk Zn	2
39	17002-000006	Gasket, Innet	1
40	16003-000011	Carburetor Insulator Plate	1
41	16001-000004	Carburetor Gasket	1
42	16100-000011	Carburetor	1
43	90686-000062	Fuel Tube, Ø6 x Ø10 x 64	1
44	16652-000016	Fuel Strainer	1
45	90685-000007	Clamp, Ø9.5 x 8 x 0.8	3
46	17100-000010	Air Cleaner	1
47	96101-Z120410-0017	Cylinder Head Assy	1
48	16070-000005	Governor Support Assy	1
49	16063-000009	Spring, Governor	1
50	16061-000005	Governor Arm	1
51	90408-000020	Washer, Ø6.2 x Ø15 x 0.6	1
52	90501-000005	Pin, White Zn, L=20	1
53	16062-000007	Governeur Rod, Ø2 x133, White Zn	1
54	16012-000005	Throttle Valve Returning Spring, Ø7 x Ø0.5 x 122	1
55	16400-000006	Governor Gear Assy	1
56	90547-000002	Bearing, 6203	1
57	13300-000017	Crankshaft Assy	1
58	90547-000015	Bearing, 6303	1
59	11001-000009	Crankcase Gasket	1

#	Part Number	Description	Qty.
60	15010-000018	Oil Dipstick Assy	2
61	11411-000014	Crankcase Cover	1
62	19304-000007	Cylinder Body Shroud	1
63	90001-000018	Hex Flange Bolt, M6 x 12, White Zn	10
64	90001-000020	Hex Flange Bolt, M6 x 14, White Zn	4
65	16750-000013	Fuel Switch Assy	1
66	30431-000022	Rubber Sleeve, Fuel Tube, 11 x 9.5 x 60	1
67	90001-000026	Hex Flange Bolt, M6 x 25, White Zn	6
68	90001-000015	Hex Flange Bolt, M6 x 10, White Zn	2
69	90001-000024	Hex Flange Bolt, M6 x 20, White Zn	2
70	90001-000012	Hex Flange Bolt, M6 x 8, White Zn	2
71	17001-000009	Air Cleaner Gasket	1
72	17151-000003	Air Cleaner Element	1
73	14200-000003	Camshaft Assy	1
74	90502-000002	Pin, 8 x 12	2
75	90305-000007	Hex Flange Nut, M6, White Zn	3
76	16072-000001	Governor Support Bolt, M6 x 21, White Zn	1
77	90251-000001	Washer, M6 x 8, Blk Zn	3
78	90684-000003	Clip. L=100	1
79	16112-000006	Seal Ring, Float	1
80	16161-000017	Main Jet (67#), Standard	1
	16161-000015	Main Jet (64#), Altitude 3000-6000 Feet	/
	16161-000012	Main Jet (61#), Altitude 6000-8000 Feet	/
81	90681-000011	Seal Ring	1
82	16730-000014	Fuel Tank Cap	1
83	16652-000015	Fuel Strainer	1
84	16620-000034	Fuel Tank, RT129A, 1.29L	1
85	90686-000039	Fuel Tube, Ø4.5 x Ø8.5 x 130	1
86	12111-000003	Inlet Valve	1
87	12121-000004	Exhaust Valve	1
88	16680-000004	Fuel Tank Oil Outlet Assy	1
89	90685-000013	Clamp, Ø8.5 x 8 x 0.6, Dacromet	1

#	Part Number	Description	Qty.
90	90303-000005	Hex Nut, M8, White Zn	2
91	18100-000056	Muffler Assy	1
92	18001-000008	Exhaust Gasket	1
93	16614-000001	Fuel Tank Shield	1
94	35540-000008	Stop Engine Switch Assy	1
95	90102-000002	Hex Socket Cap Screw, M6 x 16, Blk Zn	1
96	35541-000008	Stop Engine Connecting Wire	1
97	35555-000002	Switch Connector Grounding Wire	1
98	96105-Z16100-0022	Carburetor Assy	1
99	37050-000001	Protector, Oil	1

BOTTOM DRUM ASSEMBLY PARTS DIAGRAM

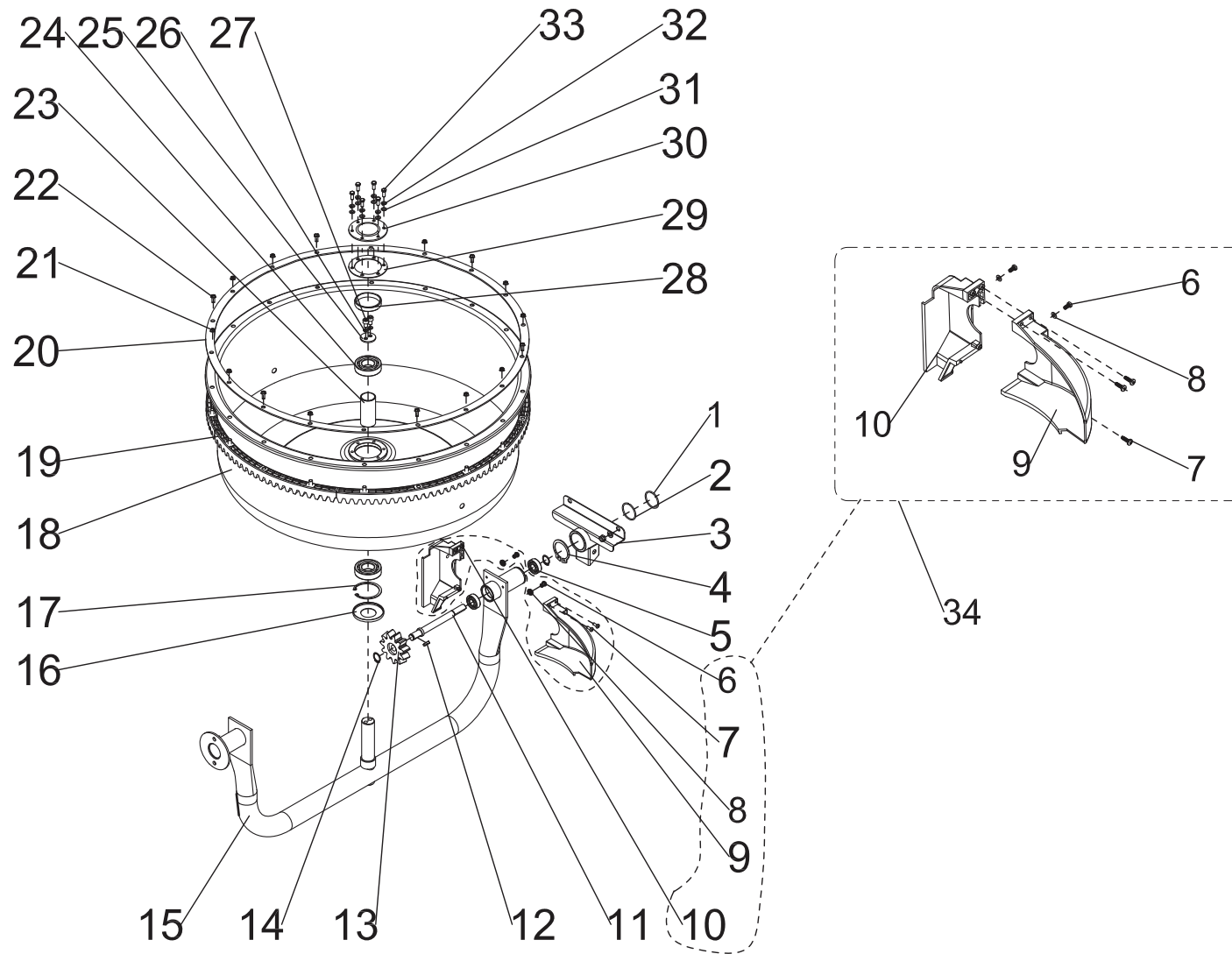


Figure D

BOTTOM DRUM ASSEMBLY PARTS LIST

#	Part Number	Description	Qty.
1	201090003	O-Ring seal Ø42.5x2.65	1
2	201060023	Steel Wire Check Ring For Bearing Ø42	1
3	405020249	Plate For Positive Speed Gearbox	1
4	201060014	Check Ring For Bearing Ø42	1
5	201010004	Bearing 6202-2Rs	2
6	201020013	Screw M5x10	2
7	201020175	Bolt St4.8 x 16-C	3
8	201050002	Washer Ø5	2
9	206010078	Gear Cover 2	1
10	206010077	Gear Cover 1	1
11	205020053	Pinion Shaft	1
12	201070003	Key	1
13	205010020	Pinion	1
14	201060010	Check Ring For Bearing Ø15	2
15	405020281	U Frame, Drum	1
16	206010076	Plastice Cover	1
17	201060017	Check Ring For Hole Ø62	1
18	405020282	Bottom Drum	1
19	206010080	Nylon Gear	6
20	206020054	Seal Ring Of Drum	1
21	201040063	Flange Nut M8	6
22	201030137	Flange Bolt M8 x 16	6
23	402010138	Cover(Long)	1
24	201010010	Bearing 6206-2Rs	2
25	403020018	Washer	1
26	201050056	Lock Washer M8	2
27	201020055	Bolt M8 x 16	2
28	402010139	Cover(Short)	1
29	403020818	Seal Ring	1
30	403020452	Cover	1

#	Part Number	Description	Qty.
31	201050003	Washer Ø6	6
32	201050055	Lock Washer M6	6
33	201030138	Bolt M6 x 16	6
34	109010037	Gear Cover Assembly	1