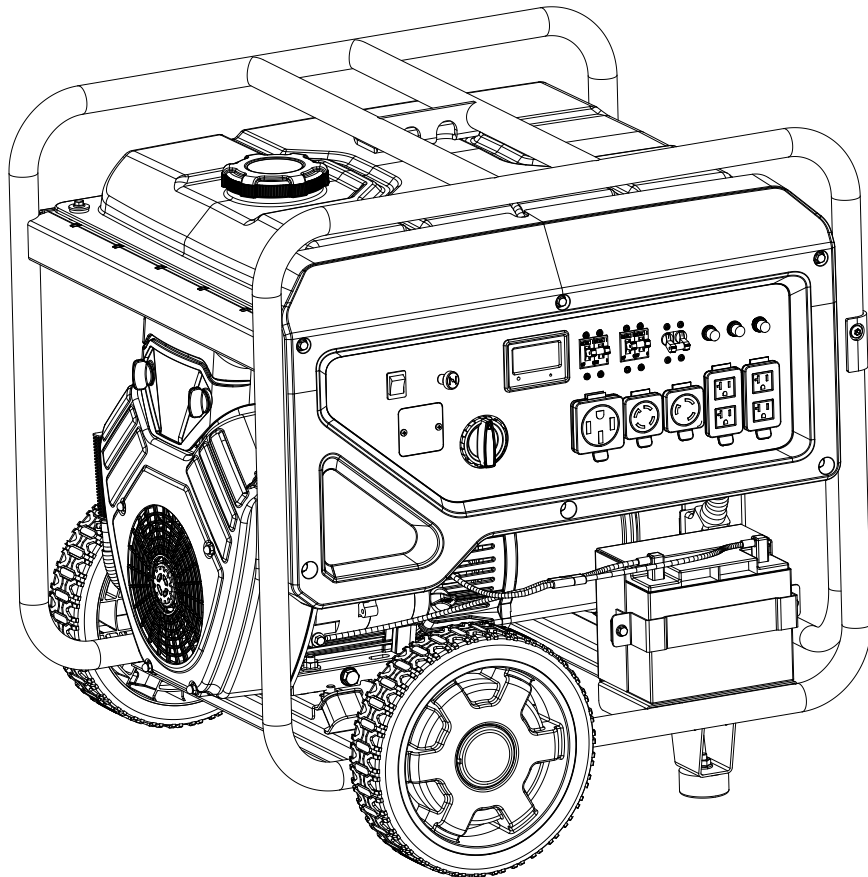


Champion Power Equipment, Inc.

MODEL #201414



PARTS INFORMATION

13,500W ELECTRIC START GENERATOR

SERIAL NUMBER RANGE: ALL



To order replacement parts please visit:
shop.championpowerequipment.com
or call **1-877-338-0999**.

TABLE OF CONTENTS

Generator Parts Diagram	3
Generator Parts List	4
Engine Parts Diagram	5
Engine Parts List	6
Cylinder Head 1 Parts Diagram	9
Cylinder Head 1 Parts List	10
Cylinder Head 2 Parts Diagram	11
Cylinder Head 2 Parts List	12
Carburetor Parts Diagram	13
Carburetor Parts List	14
Alternator Parts Diagram	15
Alternator Parts List	16
Fuel Tank Parts Diagram	17
Fuel Tank Parts List	18
Control Panel Parts Diagram	19
Control Panel Parts List	20
Frame Assembly Parts Diagram	21
Frame Assembly Parts List	22
Wiring Diagram	23

GENERATOR PARTS DIAGRAM

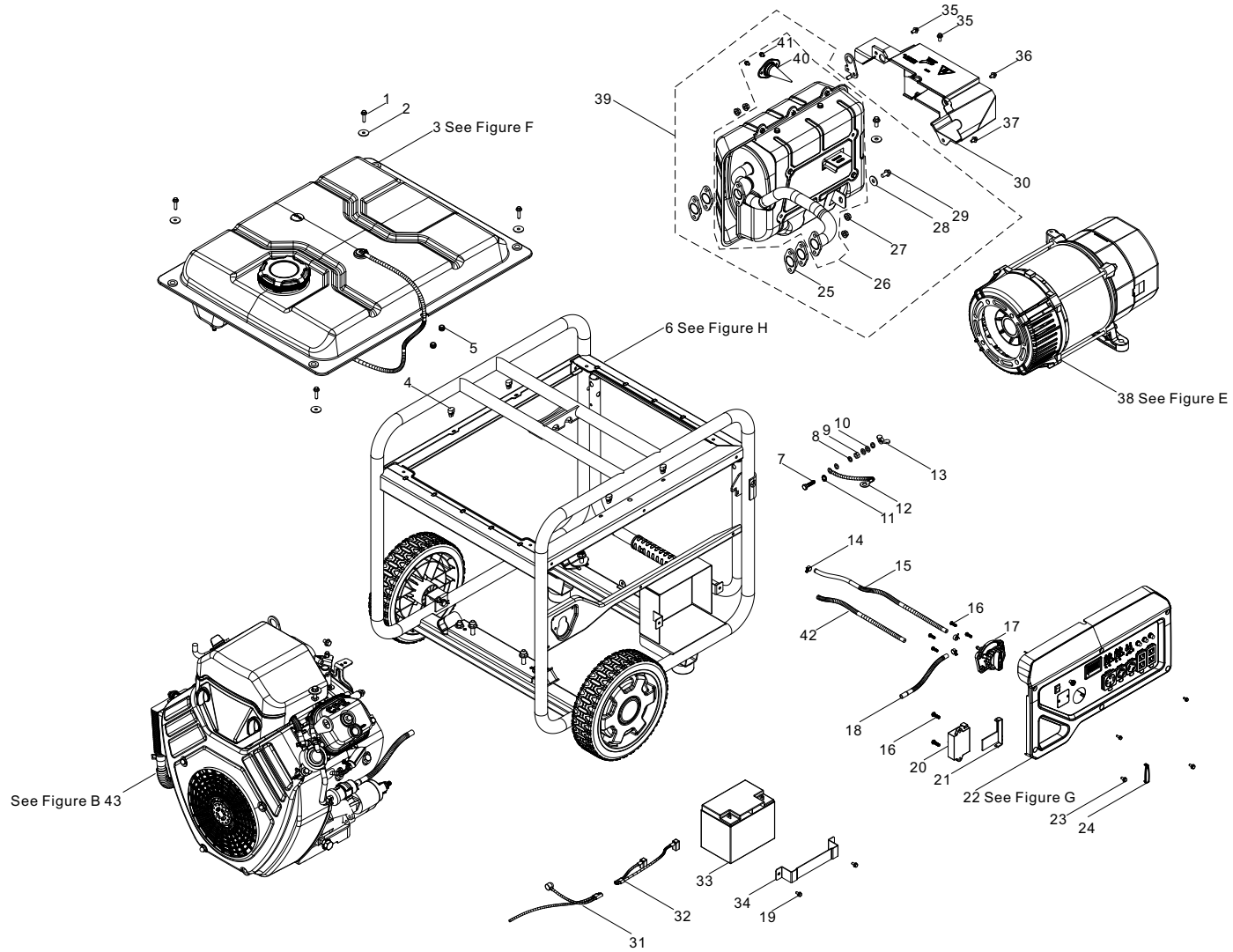


Figure A

GENERATOR PARTS LIST

#	Part Number	Description	Qty.
1	90007-000024	Hex Flange Bolt, M6 x 25, Blk Zn	4
2	90408-000008	Flat Washer, 6.2 x 25 x 2, Blk Zn	4
3	96104-Y16620-0034	Fuel Tank Assy - See Figure F	1
4	16602-000002	Vibration Mount, Fuel Tank, 18 x Ø6 x 11	4
5	90698-000001	Protective Rubber Sleeve	2
6	96103-Y51100-0042	Frame Assy - See Figure H	1
7	90001-000027	Hex Flange Bolt, M6 x 25, Blk Zn	1
8	90403-000003	Spring Washer, Ø6, Blk Zn	2
9	90303-000003	Hex Nut, M6, Blk Zn	1
10	90408-000006	Flat Washer, Ø6, Blk Zn	3
11	90415-000001	Lock Washer, Ø6, Toothed, Blk Zn	1
12	30009-000026	Grounding Wire	1
13	90312-000001	Wing Nut, M6, Blk Zn	1
14	90685-000023	Clamp, Ø10.0 x 8 x 0.8, Dacromet	3
15	90686-000069	Tube, Ø6 x Ø10 x 560	1
16	90124-000003	Tapping Screw, PT5×16	6
17	16750-000033	Fuel Valve Assy	1
18	90686-000070	Tube, Ø6 x Ø10 x 177	1
19	90001-000019	Hex Flange Bolt, M6 x 12, Blk Zn	2
20	35720-000003	Co Alarm	1
21	30351-000003	Cover, Co Alarm	1
22	35610-000189	Control Panel Assy - See Figure G	1
23	90001-000023	Hex Flange Bolt, M6 x 16, Blk Zn	6
24	82007-000005	Decorative Covers	1
25	18001-000004	Exhaust Outlet Gasket	4
26	18100-000058	Muffler Assy	1
27	90314-000004	Hex Nut, M8 x 23.5, White Zn	4
28	90408-000034	Flat Washer, 8.3 x 23 x 3, Blk Zn	2
29	90001-000043	Hex Flange Bolt, M8 x 20, Blk Zn	2
30	28110-000049	Shroud	1

#	Part Number	Description	Qty.
31	31114-000015	DC Wire Harness, Engine	1
32	31112-000018	DC Wire Harness, Battery	1
33	31110-000009	Battery, 12V/35Ah, 196 x 131 x 159	1
34	31142-000004	Clamp, Battery	1
35	90007-000008	Hex Flange Bolt, M6 x 12, Blk Zn	2
36	90001-000041	Hex Flange Bolt, M8 x 16, Blk Zn	1
37	90007-000012	Hex Flange Bolt, M6 x 16, Blk Zn	1
38	96114-Y31300-0027	Alternator Assy - See Figure E	1
39	96117-Y18100-0005	Muffler	1
40	18250-000015	Spark Arrestor	1
41	90001-000070	Hex Flange Bolt, M5 x 8, White Zn	2
42	30431-000035	Rubber Sleeve, Ø13 x Ø11.5 x 430	1
43	96100-R740D000-01	Engine, 739cc, EPA - See Figure B	1

ENGINE PARTS DIAGRAM

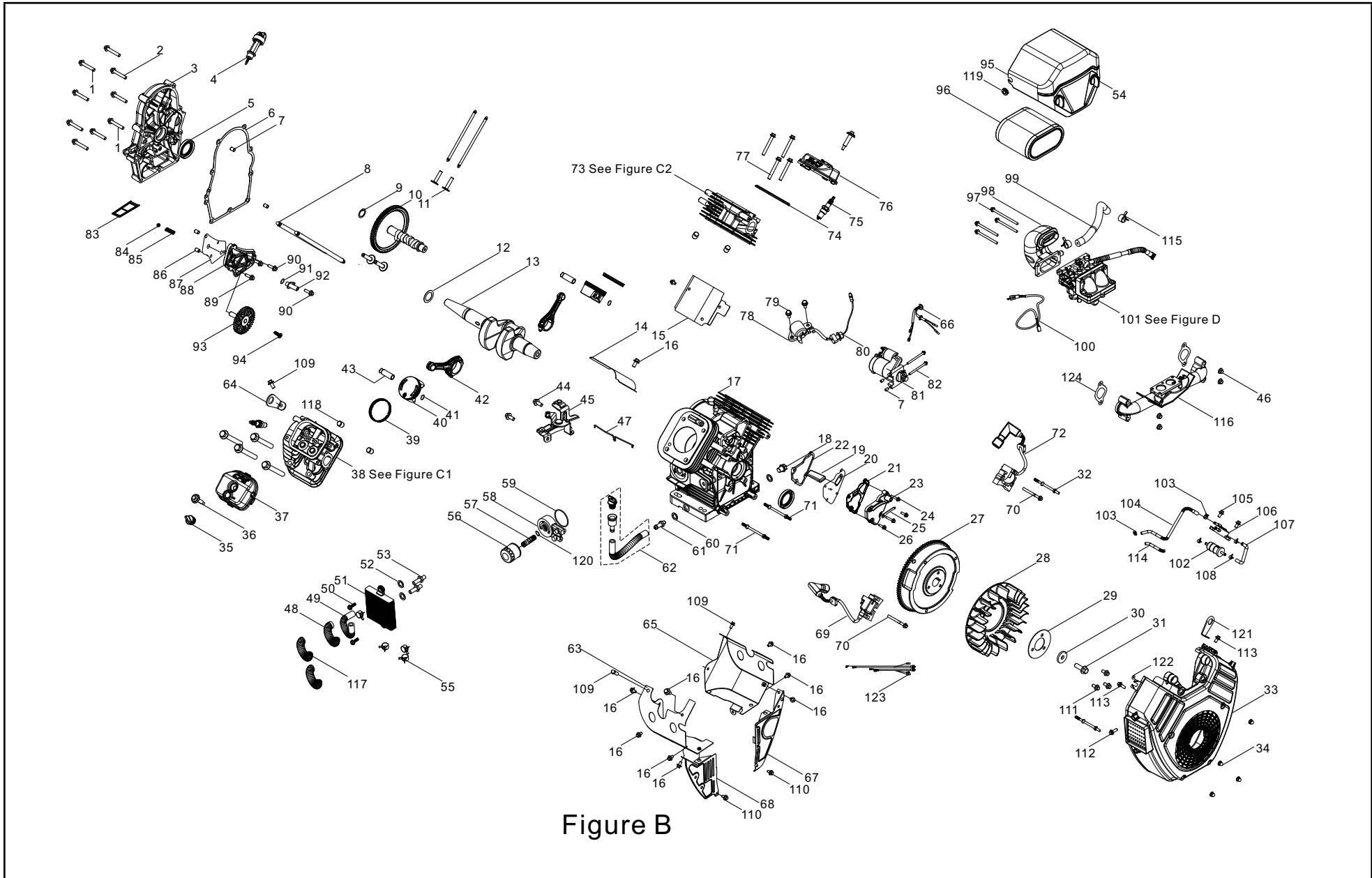


Figure B

ENGINE PARTS LIST

#	Part Number	Description	Qty.
1	90001-000071	Hex Flange Bolt, M8 x 55, White Zn	2
2	90001-000053	Hex Flange Bolt, M8 x 50, White Zn	7
3	11410-000002	Crankcase Cover	1
4	15010-000029	Oil Dipstick Assy	1
5	90682-000020	Oil Seal, Ø38 x Ø58 x 8	2
6	11001-000018	Crankcase Gasket	1
7	90502-000006	Pin, 10 x 14	4
8	14070-000011	Valve Rod, Ø6 x Ø7 x 151.8	4
9	14215-000001	Washer, Camshaft, Ø16 x Ø25 x 0.6	1
10	14200-000031	Camshaft Assy	1
11	14081-000008	Valve Lifter, Ø20 x Ø7 x 31.1	4
12	13306-000001	Washer, Ø40.5 x Ø54 x 1	1
13	13300-000044	Crankshaft Assy	1
14	19304-000013	Cylinder Body Shroud, White Zn	1
15	19305-000005	Shroud 2, Cylinder Body, White Zn	1
16	90001-000017	Hex Flange Bolt, M6 x 10, Blk Zn	10
17	11310-000039	Crankcase Assy	1
18	11007-000004	Drain Plug Bolt, M12 x1.5 x18, Blk Zn	1
19	11331-000003	Strainer, Breath Groove, 47 x 40 x 6.5	1
20	11320-000008	Stop Engine Piece Assy	1
21	11332-000010	Gasket 1, Breath Groove	1
22	11332-000011	Gasket 2, Breath Groove	1
23	11333-000004	Plate, Breath Groove Cover	1
24	90007-000035	Hex Flange Bolt, M6 x 32, White Zn	2
25	54066-000005	Tension Disc	1
26	90007-000013	Hex Flange Bolt, M6 x 20, White Zn	2
27	13500-000002	Flywheel Assy.	1
28	19352-000024	Cooling Fan, Engine	1
29	13515-000003	Tray, Cooling Fan	1
30	90407-000003	Large Washer - Grade C, Ø12.5 x Ø38 x 5	1

#	Part Number	Description	Qty.
31	13502-000002	Bolt, Flywheel, M12 x 1.25 x 34, White Zn	1
32	28001-000006	Double Head Support Bolt, M6 x 31/M6 x 17, White Zn	2
33	19330-000004	Shroud Assy.	1
34	90314-000005	Hex Nuts, M6 x 17, Blk Zn	4
35	15031-000003	Plug Assy, Engine Oil	1
36	12030-000002	Bolt Assy, Cylinder Head Cover	2
37	12411-000007	Cover, Cylinder Head	1
38	96101-Z120410-0032	Light Cylinder Head Assy - See Figure C	1
39	13200-000009	Piston Ring Assy	2
40	13111-000023	Piston, 1.2 x 1.2 x 2.5	2
41	13122-000009	Piston Pin Clip	4
42	13010-000018	Connecting Rod, Ø40 x Ø17 x 112	2
43	13121-000013	Piston Pin, Ø17 x Ø10 x 55.2	2
44	90007-000008	Hex Flange Bolt, M6 x 12, Blk Zn	2
45	16090-000001	Bracket, Choke	1
46	90305-000010	Hex Flange Nut, M8, White Zn	4
47	16123-000002	Choke Pull Rod	1
48	19111-000008	Hose, Cooling, Ø9.5 x Ø17 x 238	1
49	19111-000009	Hose, Cooling, Ø9.5 x Ø17 x 280	1
50	90007-000036	Hex Flange Bolt, M6 x 22, Blk Zn	2
51	19100-000003	Radiator Assy.	1
52	90408-000019	Flat Washer, 10 x 15.8 x 1.5	2
53	19112-000001	Connector, Cooling Hose, White Zn	2
54	35643-000022	Knob	2
55	90685-000019	Clamp, Ø18 x 0.8 x 10	4
56	15220-000002	Filter Assy, Oil, Ø68	1
57	15208-000002	Tube, Oil Filter Installation	1
58	15229-000001	Oil Filter Holder	1
59	90692-000002	Rubber Seal Ring	1

#	Part Number	Description	Qty.
60	90412-000003	Washer, 12 x 21 x 2	2
61	90689-000001	Joint, Fuel Tube, M12 - 1.5	1
62	11011-000009	Tube, Oil Drain, Ø9.5 x Ø17 x 330	1
63	19340-000014	Shield, Lower	1
64	12008-000001	Lug	1
65	19307-000001	Lower Right Shield	1
66	30002-000008	Diode, Synchronous Shutdown	1
67	19309-000002	Body Right Shield, White Zn	1
68	19308-000002	Body Left Shield	1
69	30400-000050	Ignition Coil	1
70	90007-000017	Hex Flange Bolt, M6 x 30, White Zn	2
71	28001-000007	Double Head Support Bolt, M6 x 19/M6 x 17, White Zn	2
72	30400-000051	Ignition Coil	1
73	96101-Z120410-0033	Right Cylinder Head Assy - See Figure C1	
74	12004-000023	Cylinder Head Cover Gasket	2
75	30010-000009	Spark Plug, F5RTC, M14 x 1.25 x 81	2
76	12411-000006	Cover, Cylinder Head	1
77	12003-000006	Cylinder Head Bolt, M10 x 1.25 x 85, White Zn	8
78	37060-000019	Engine oil Sensor	1
79	90007-000011	Hex Flange Bolt, M6 x 16, White Zn	2
80	90305-000015	Hex Flange Nut, M10, Blk Zn	1
81	30300-000010	Starting Motor Assy	1
82	90001-000072	Hex Flange Bolt, M8 x 110, White Zn	2
83	15211-000002	Strainer, Oil	1
84	90543-000002	Ball, Steel	1
85	15161-000002	Spring, Pressure Relief Valve	1
86	90502-000001	Pin, 8 x 10	2
87	15142-000001	Oil Pump Seal Gasket	1
88	15141-000002	Cover, Oil Pump	1
89	90007-000037	Hex Flange Bolt, M6 x 28, White Zn	2
90	90007-000016	Hex Flange Bolt, M6 x 25, White Zn	2

#	Part Number	Description	Qty.
91	90692-000003	O-Type Rubber Seal Ring	1
92	15111-000001	Tube, Suction Oil	1
93	15100-000003	Pump Assy, Oil	1
94	90104-000006	Screw, M5 x 20, White Zn	1
95	17104-000005	Cover, Air Cleaner Case	1
96	17150-000007	Air Cleaner Element Assy	1
97	90001-000074	Hex Flange Bolt, M6 x 80, White Zn	4
98	12510-000007	Tube, Intake	1
99	17004-000031	Tube, Breather, Ø12.5 x Ø17 x 219	1
100	35665-000001	Line, Solenoid Valve Ac	1
101	96105-Z16100-0040	Carburetor Assy - See Figure D	1
102	16510-000001	Strainer, Fuel	1
103	90685-000007	Clamp, Ø9.5 x 0.8 x 8, Dacromet	2
104	11017-000001	Negative Pressure Pipe, Ø6 x Ø10 x 235	1
105	90007-000012	Hex Flange Bolt, M6 x 16, Blk Zn	2
106	16300-000001	Pump Assy, Gasoline	1
107	90686-000071	Tube, Ø6 x Ø10 x 124.5	1
108	90685-000023	Clamp, Ø10 x 0.8 x 8, Dacromet	3
109	90001-000041	Hex Flange Bolt, M8 x 16, Blk Zn	4
110	90001-000015	Hex Flange Bolt, M6 x 10, White Zn	2
111	90001-000040	Hex Flange Bolt, M8 x 16, White Zn	3
112	90013-000001	Hex Flange Bolt, M6 x 16.8, Blk Zn	1
113	90013-000002	Hex Flange Bolt, M8 x 20, Blk Zn	2
114	30431-000038	Rubber Sleeve, Ø13 x Ø11.5 x 120	1
115	90685-000016	Clamp, Ø17 x 1.4	2
116	12510-000008	Tube, Intake	1
117	30431-000024	Rubber Sleeve,, Ø19.5 x Ø18 x 165	2
118	90502-000010	Pin, 12 x 16	4
119	16302-000001	Sleeve, Gasoline Pump Rubber	1
120	90681-000018	Seal Ring, Ø20 x Ø2	1

#	Part Number	Description	Qty.
121	12008-000002	Lug, White Zn	1
122	90408-000019	Flat Washer - Grade A, 10 x 15.8 x 1.5	1
123	30423-000005	Wire, Ignition Coil	1
124	17002-000009	Gasket, Inlet	4

CYLINDER HEAD 1 PARTS DIAGRAM

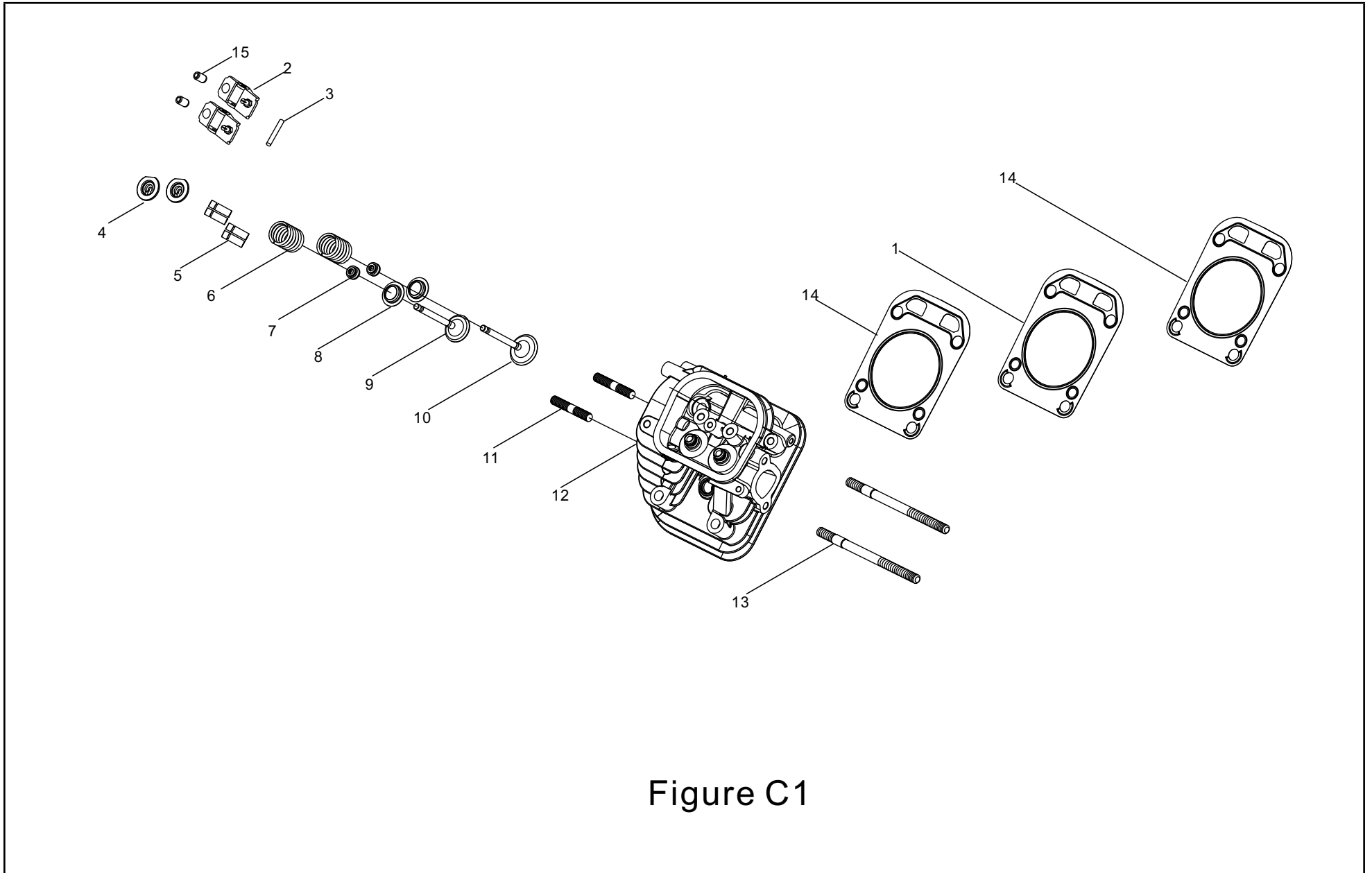


Figure C1

CYLINDER HEAD 1 PARTS LIST

#	Part Number	Description	Qty.
1	12134-000001	Middle Gasket, Cylinder Head	1
2	14310-000014	Rocker Assy, Valve	2
3	14330-000003	Shaft, Valve Rocker	1
4	12112-000005	Seat, Valve Spring	2
5	12109-000006	Clamp, Valve Lock	4
6	12103-000012	Spring, Valve	2
7	12101-000002	Guide, Seal	2
8	12105-000002	Retainer, Valve Spring	2
9	12121-000021	Valve, Exhaust	1
10	12111-000020	Valve, Intake	1
11	90203-000005	Stud Bolt, M8 x 34, Dacromet	2
12	12140-000002	Head Assy, Cylinder	1
13	90204-000022	Stud Bolt, M8 x 45, White Zn	2
14	12131-000021	Gasket, Cylinder Head	2
15	14312-000002	Nut, Valve Lock	2

CYLINDER HEAD 2 PARTS DIAGRAM

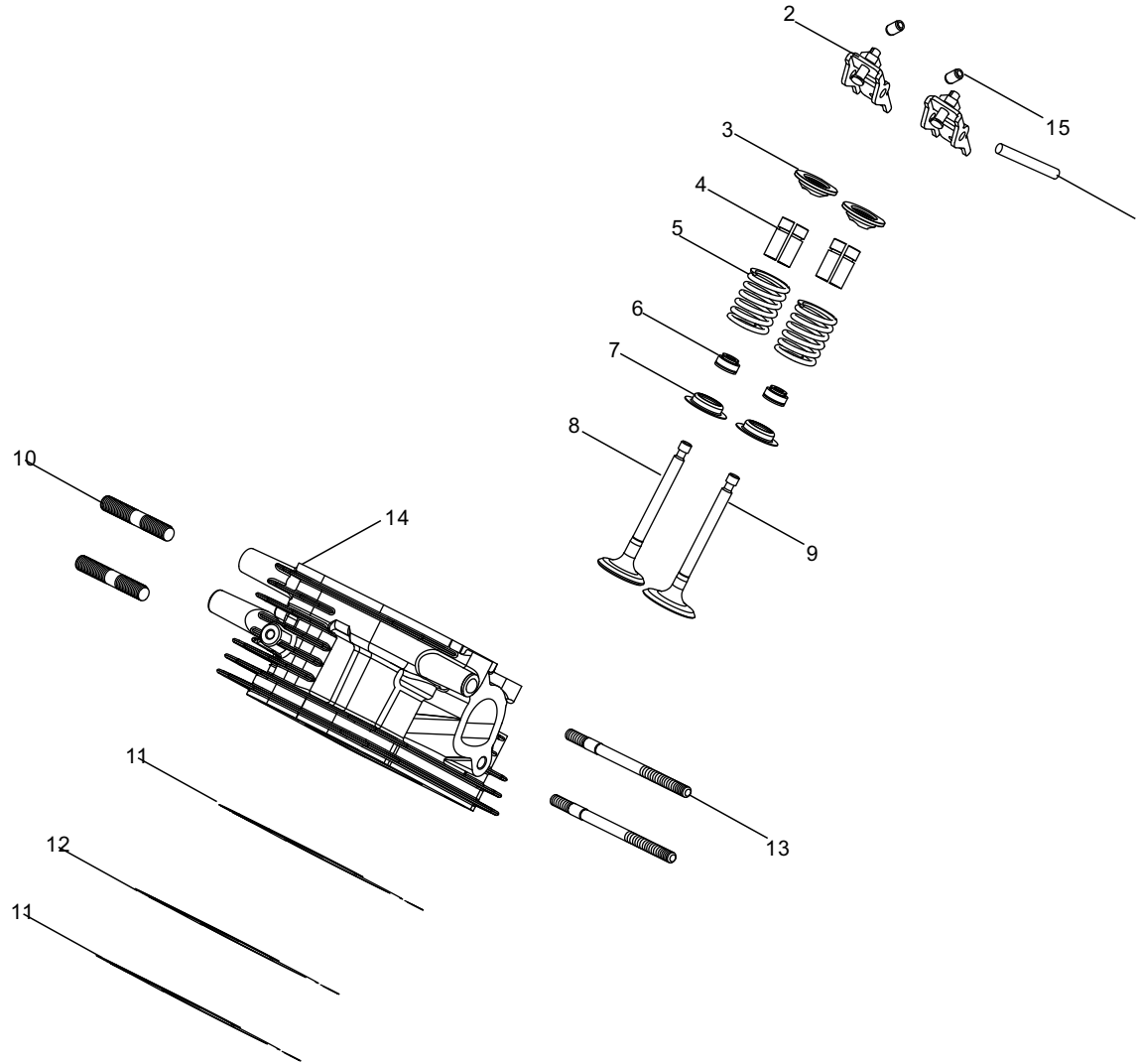


Figure C2

CYLINDER HEAD 2 PARTS LIST

#	Part Number	Description	Qty.
1	14330-000003	Shaft, Valve Rocker	1
2	14310-000014	Rocker Assy, Valve	2
3	12112-000005	Seat, Valve Spring	2
4	12109-000006	Clamp, Valve Lock	4
5	12103-000012	Spring, Valve	2
6	12101-000002	Guide, Seal	2
7	12105-000002	Retainer, Valve Spring	2
8	12121-000021	Valve, Exhaust	1
9	12111-000020	Valve, Intake	1
10	90203-000005	Stud Bolt, M8 x 34, Dacromet	2
11	12131-000021	Gasket, Cylinder Head	2
12	12134-000001	Middle Gasket, Cylinder Head	1
13	90204-000022	Stud Bolt, M8 x 45, White Zn	2
14	12210-000001	Head Assy, Right Cylinder	1
15	14312-000002	Nut, Valve Lock	2

CARBURETOR PARTS DIAGRAM

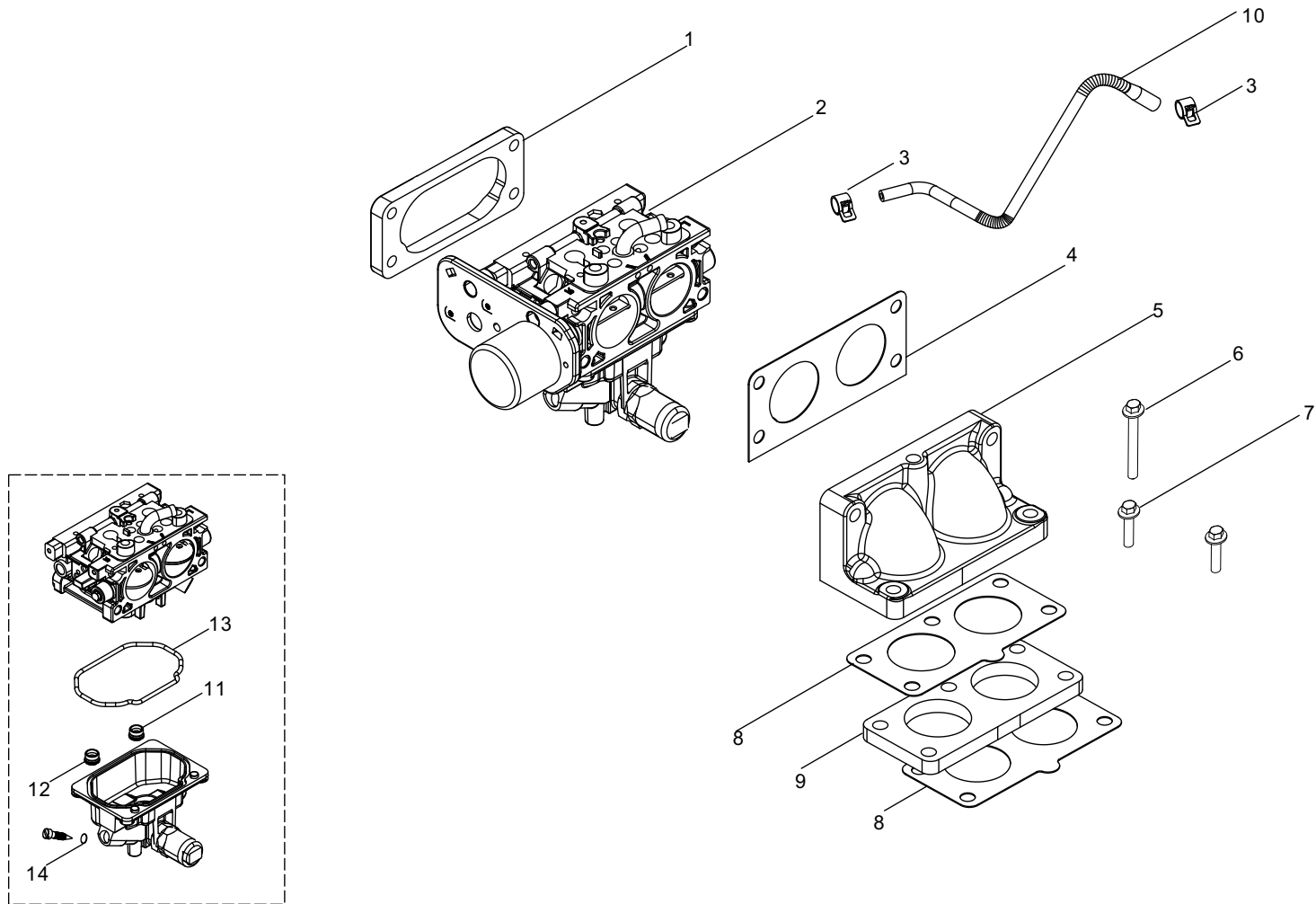


Figure D

CARBURETOR PARTS LIST

#	Part Number	Description	Qty.
1	17001-000013	Air Cleaner Seal Gasket	1
2	16100-000093	Carburetor Assy.	1
3	90685-000007	Clamp, Ø9.5 x 0.8 x 8, Dacromet	2
4	16001-000010	Carburetor Seal Gasket	1
5	12051-000004	Joint, Intake Tube	1
6	90007-000020	Hex Flange Bolt, M6 x 65, White Zn	1
7	90007-000017	Hex Flange Bolt, M6 x 30, White Zn	2
8	16001-000011	Carburetor Seal Gasket	2
9	16002-000007	Gasket, Carburetor Insulator	1
10	90686-000072	Fuel Tube, Ø6 x Ø10 x 200	1
11	16161-000106	Main Jet(111#), Standard	1
	16161-000107	Main Jet(109#), Altitude 3000-6000 Feet	/
	16161-000108	Main Jet(107#), Altitude 6000-8000 Feet	/
12	16161-000045	Main Jet(110#), Standard	1
	16161-000110	Main Jet(108#), Altitude 3000-6000 Feet	/
	16161-000070	Main Jet(106#), Altitude 6000-8000 Feet	/
13	16112-000015	Gasket, Float Chamber	1
14	90692-000004	Rubber Seal Ring	1

ALTERNATOR PARTS DIAGRAM

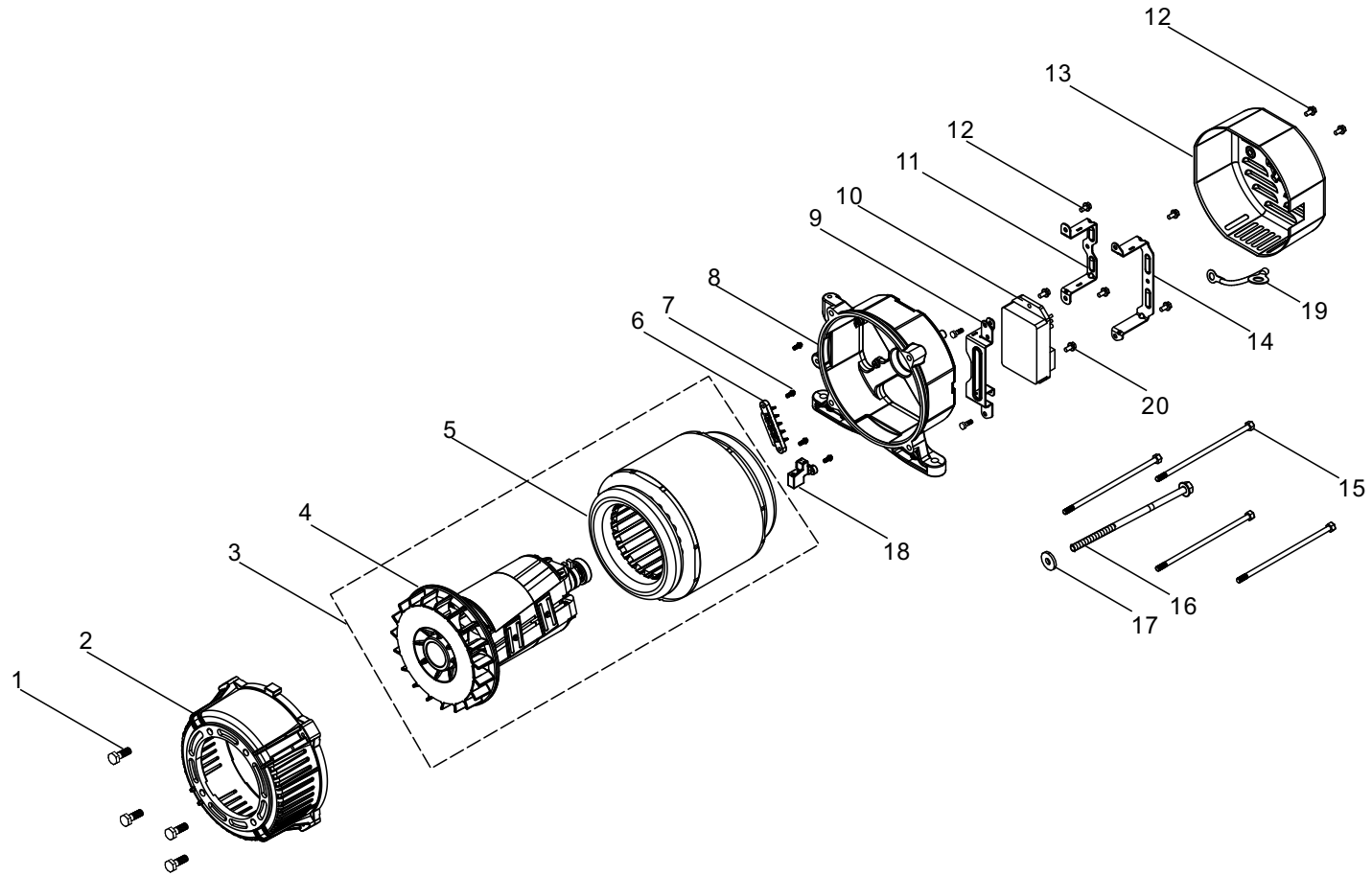


Figure E

ALTERNATOR PARTS LIST

#	Part Number	Description	Qty.
1	90001-000073	Hex Flange Bolt, 3/8-16UNC-2B-25,White Zn	4
2	30031-000004	Cover, Motor Front End, Ø230	1
3	31300-000041	Alternator Assy, AL, D230 x 160	1
4	31330-000019	Rotor, AL	1
5	31310-000032	Stator, AL	1
6	31303-000009	Terminal Block	1
7	90001-000007	Hex Flange Bolt, M5 x 16, White Zn	4
8	30021-000008	Bracket, Motor, Ø230	1
9	30049-000011	Fixed Support, AVR	1
10	30060-000029	AVR	1
11	30049-000013	Voltage Regulator Fixed Support	1
12	90001-000019	Hex Flange Bolt, M6 x 12, Blk Zn	8
13	30022-000013	Cover, End Housing	1
14	30049-000012	Voltage Regulator Fixed Support	1
15	30048-000009	Bolt M8 x 1.25 x 205, Stator	4
16	30049-000010	Bolt M10 x 1.25 x 293, Rotor	1
17	90408-000011	Flat Washer, 10.4 x 30 x 4, White Zn	1
18	31320-000008	Carbon Brush Assy	1
19	30009-000027	Grounding Wire	1
20	90001-000023	Hex Flange Bolt, M6 x 16, Blk Zn	2

FUEL TANK PARTS DIAGRAM

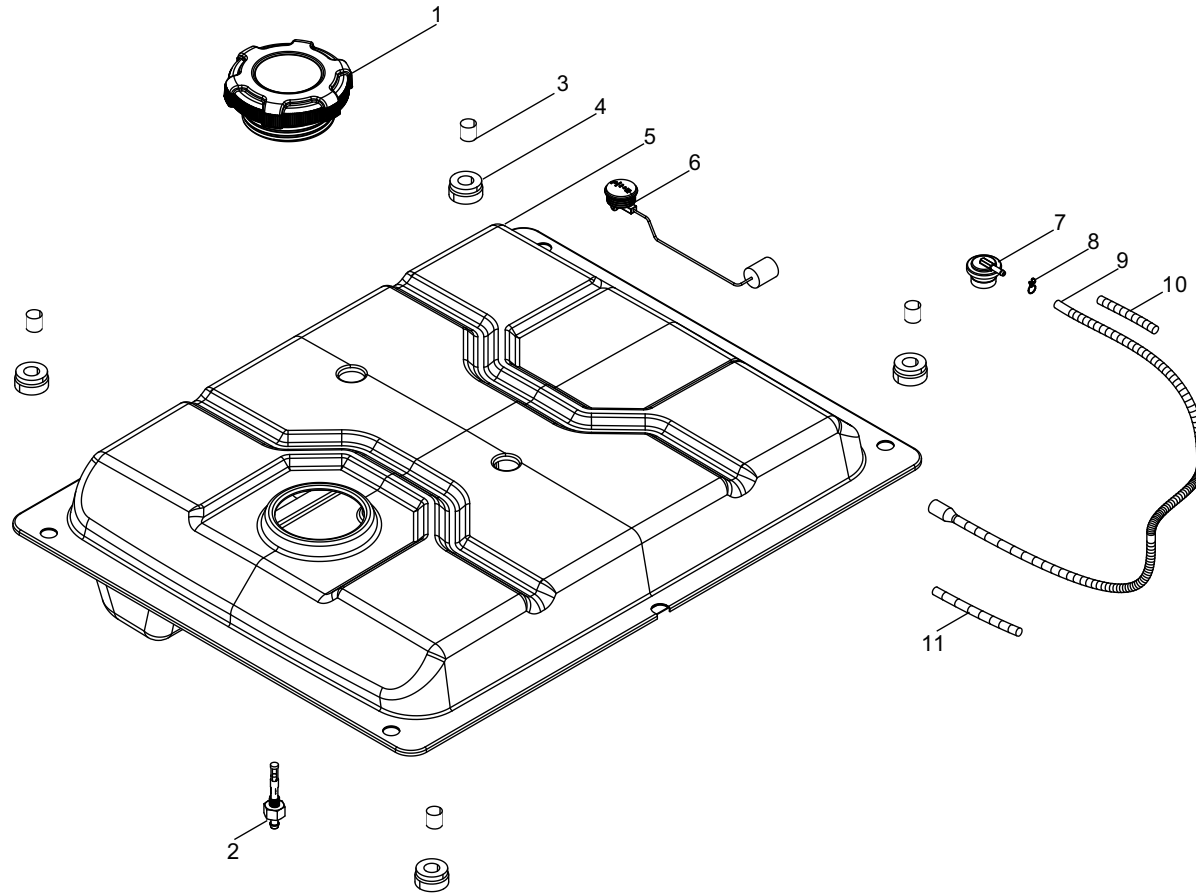


Figure F

FUEL TANK PARTS LIST

#	Part Number	Description	Qty.
1	16730-000024	Fuel Tank Cap	1
2	16680-000006	Fuel Tank Outlet Assy, M16 x 1.5 x 78.5	1
3	90683-000001	Bushing	4
4	16601-000001	Vibration Mount, Fuel Tank, 12.5x Ø16	4
5	16620-000059	Fuel Tank, 41.5L	1
6	37200-000021	Fuel Gauge	1
7	15150-000003	Anti-Slosh Valve	1
8	90740-000005	Clip, Ø9	1
9	16804-000033	Connection Pipe, Ø4.5 x Ø8.5 x 900	1
10	30431-000036	Rubber Sleeve,, Ø9.5 x Ø11 x 135	1
11	30431-000037	Rubber Sleeve,, Ø9.5 x Ø11 x 210	1

CONTROL PANEL PARTS DIAGRAM

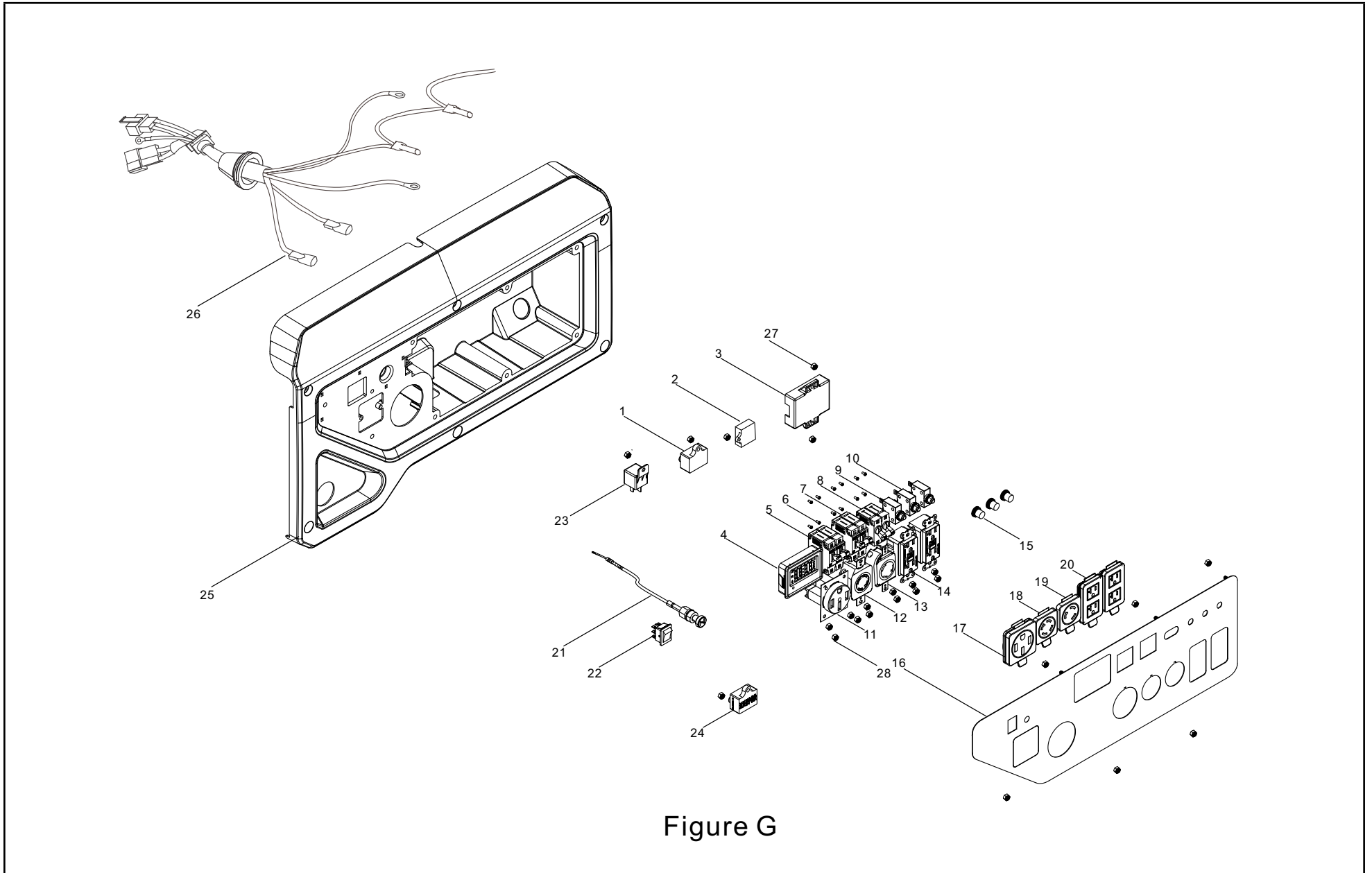


Figure G

CONTROL PANEL PARTS LIST

#	Part Number	Description	Qty.
1	30007-000004	Charging Module, EC1605	1
2	30008-000013	Control Module, EV1004	1
3	30008-000009	Module, Electronic Governor	1
4	35632-000027	Intelligauge, INT2BOF	1
5	35627-000013	56Amp Circuit Breaker, 2P Flip, 250V	1
6	90103-000017	Screw, M3 x 6, Blk Zn	12
7	35627-000012	50Amp Circuit Breaker, 2P flip, 250V	1
8	35627-000001	30Amp Circuit Breaker, 2P flip, 250V	1
9	31234-000007	30Amp Circuit Breaker, Push Button, 125/250V	1
10	31234-000003	20Amp Circuit Breaker, Push Button, 250V	2
11	35614-000012	14-50R Receptacle, 50A, 125V/250V	1
12	35614-000004	L14-30 Receptacle, 30A, 125V/250V	1
13	35614-000038	L5-30R Receptacle,30A,125V	1
14	35614-000018	5-20R GFCI Receptacle, 20A, 125V	2
15	35654-000005	Cover, Push Button	3
16	35650-000073	Control Panel	1
17	35654-000012	Cover, 14-50R Receptacle	1
18	35654-000010	Cover, L14-30 Receptacle	1
19	35654-000009	Cover, L5-30R Receptacle	1
20	35654-000013	Cover, 5-20R GFCI Receptacle	2
21	16080-000012	Dragline Assy, Choke	1
22	35160-000011	Switch Assy, Engine	1
23	35697-000001	Transfer Relay	1
24	30008-000014	Control Module, OV0502-L	1
25	35680-000038	Housing, Panel	1
26	35660-000083	Wiring Harness, Control Panel	1
27	90305-000003	Hex Flange Nut, M5, White Zn	2
28	90305-000002	Hex Flange Nut, M4, White Zn	22

FRAME ASSEMBLY PARTS DIAGRAM

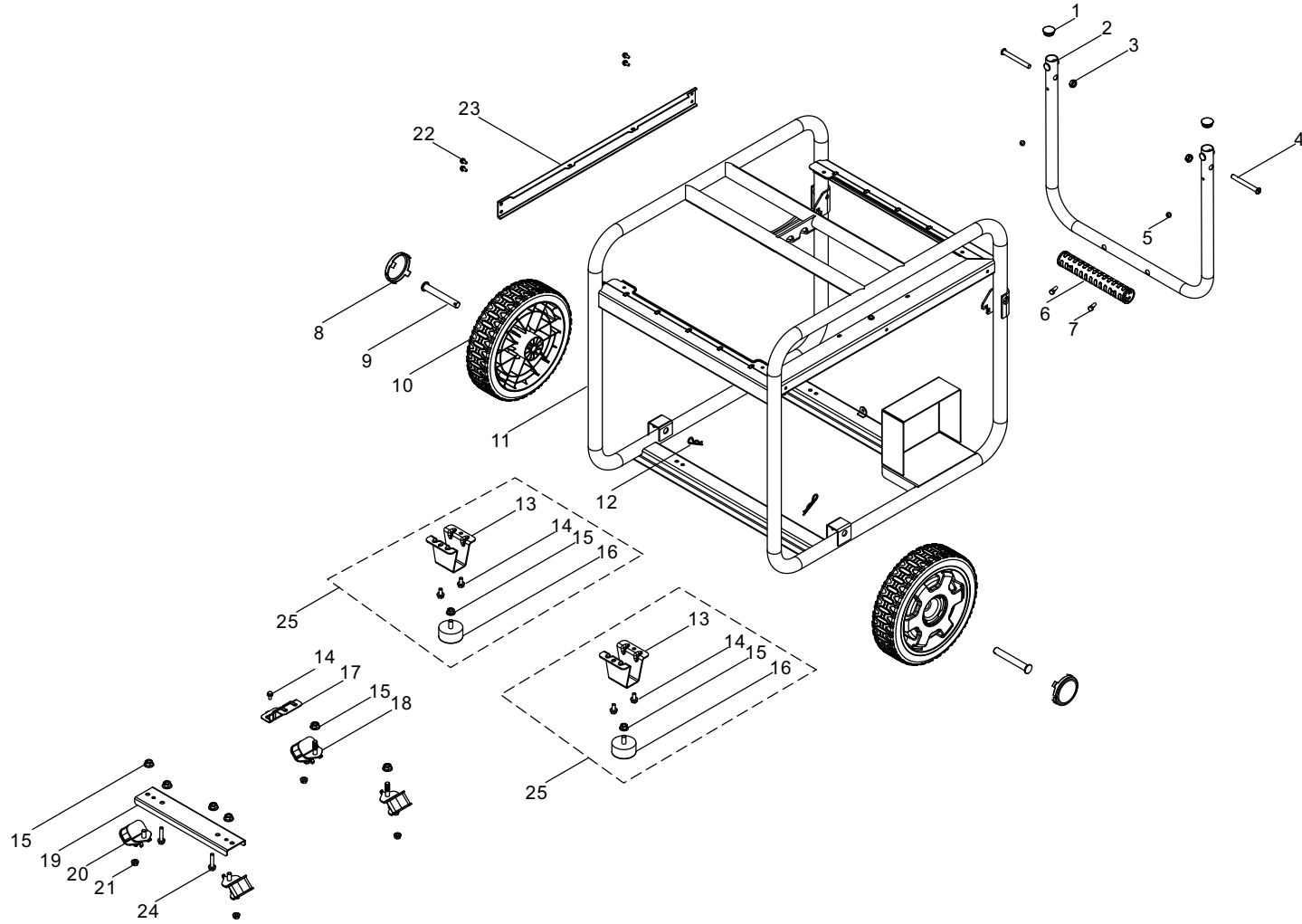


Figure H

FRAME ASSEMBLY PARTS LIST

#	Part Number	Description	Qty.
1	90722-000028	Plug, End	2
2	54110-000023	Handle, 583 x 493 x 36	1
3	90325-000001	Hex Nut, M10, Blk Zn	2
4	90115-000003	Socket Head Screw, M10x1.25x95, Blk Zn	2
5	90722-000006	Damping Pad, Handle	2
6	54101-000012	Handle Sheath, 39 x 233	1
7	90102-000010	Socket Head Screw, M4 x 16, Blk Zn	2
8	44001-000006	Cover, Hub Decorated	2
9	44020-000012	Roll Pin, Wheel, L=116	2
10	44110-000014	Wheel, Ø304 x 76	2
11	51100-000082	Frame Assy, 795 x 630 x 700	1
12	90501-000004	Pin, Blk Zn, Ø3 x 65	2
13	51016-000015	Support Leg	2
14	90001-000041	Hex Flange Bolt, M8 x 16, Blk Zn	5
15	90306-000005	Hex Flange Nut, M10, White Zn	8
16	51014-000019	Vibration Mount, Support Leg	2
17	24329-000006	Block 1	1
18	51005-000017	Vibration Mount, Frame, M8 x 13+M10 x 37.5	2
19	51002-000020	Bottom Plate, Engine	1
20	51005-000016	Vibration Mount, Frame, M8 x 13+M10 x 20	2
21	90305-000011	Hex Flange Nut, M8, Blk Zn	4
22	90007-000008	Hex Flange Bolt, M6 x 12, Blk Zn	4
23	51171-000001	Side Crosspiece, 750mm	1
24	90002-000003	Hex Flange Bolt, M10 x 45, White Zn	2
25	96120-Y00000-0002	Vibration Mount & Support Leg	2

WIRING DIAGRAM

201414 R12000DP-P 20250103

