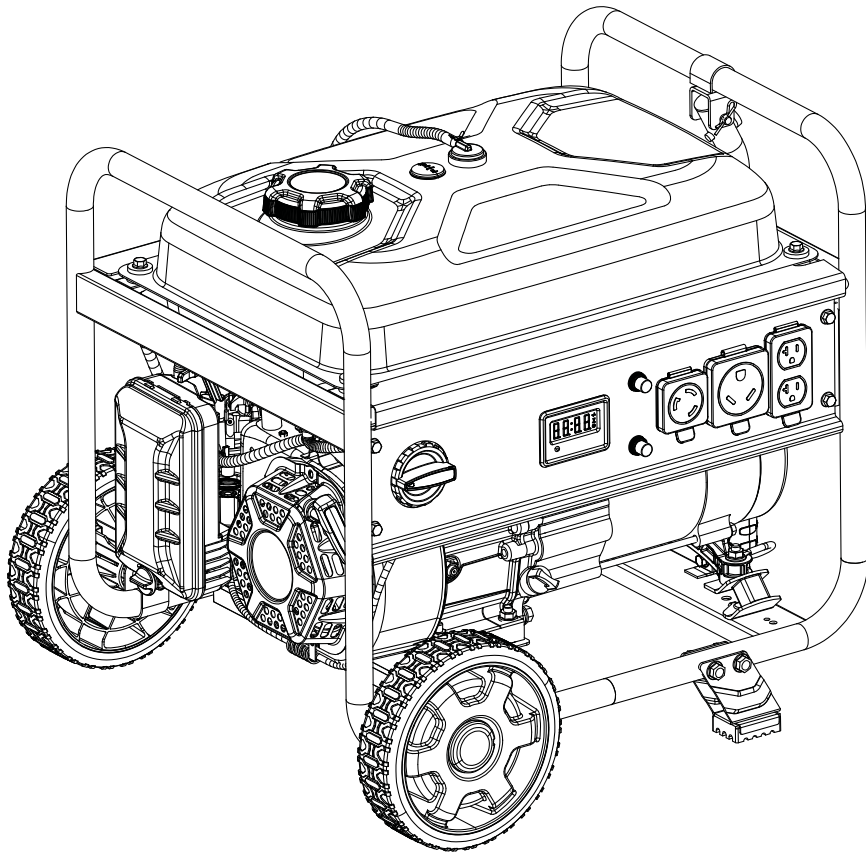


Champion Power Equipment, Inc.

MODEL #201207



PARTS INFORMATION

3800W PORTABLE GENERATOR

SERIAL NUMBER RANGE: ALL



To order replacement parts please visit:
shop.championpowerequipment.com
or call **1-877-338-0999**.

TABLE OF CONTENTS

Generator Parts Diagram	3
Generator Parts List	4
Engine Parts Diagram	5
Engine Parts List	6
Cylinder Head Parts Diagram	8
Cylinder Head Parts List	9
Carburetor Parts Diagram	10
Carburetor Parts List	11
Alternator Parts Diagram	12
Alternator Parts List	13
Fuel Tank Parts Diagram	14
Fuel Tank Parts List	15
Control Panel Parts Diagram	16
Control Panel Parts List	17
Frame Assembly Parts Diagram	18
Frame Assembly Parts List	19
Wiring Diagram	20

GENERATOR PARTS DIAGRAM

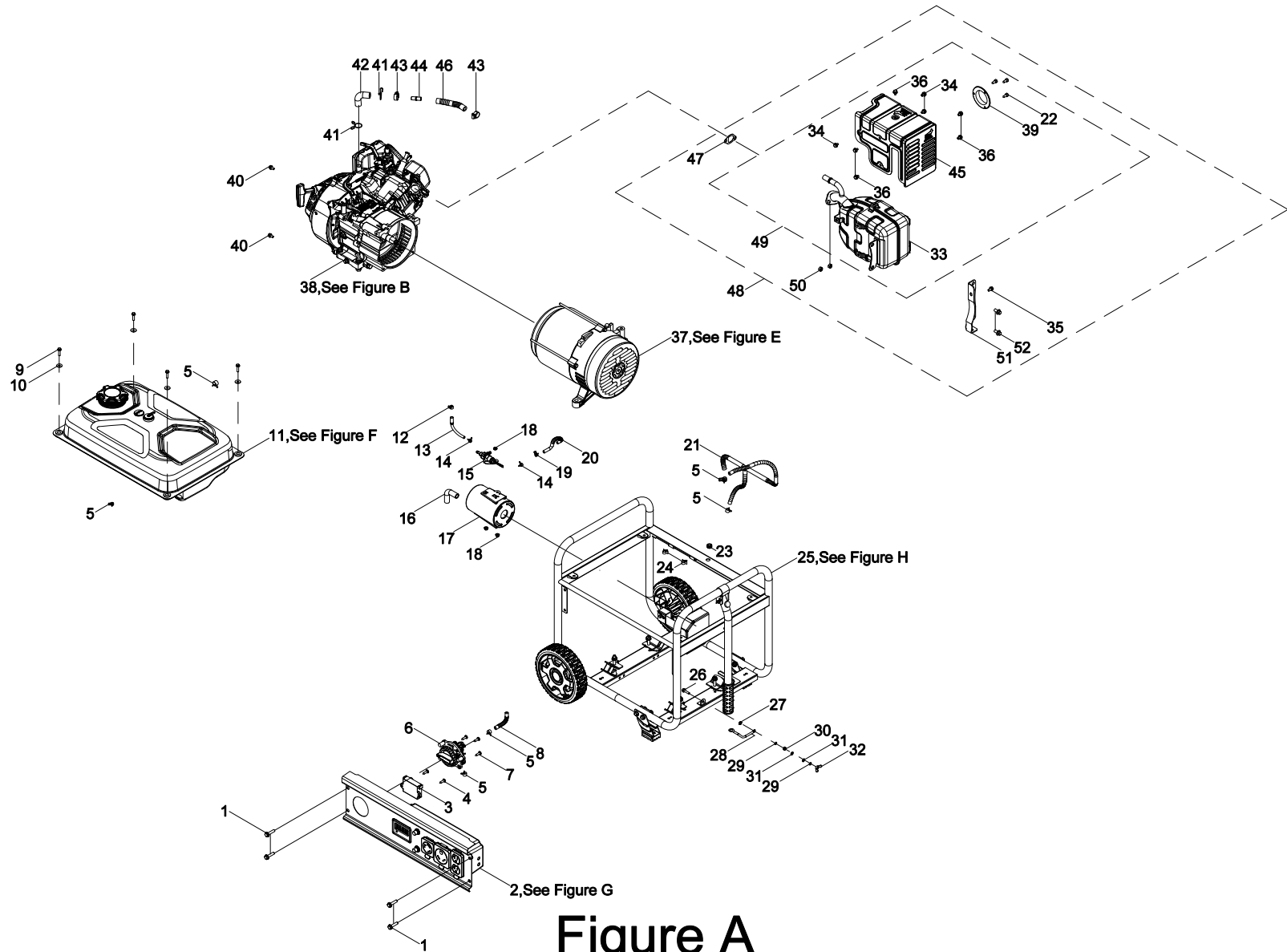


Figure A

GENERATOR PARTS LIST

#	Part Number	Description	Qty.
1	100011261-0002	M6 x 12 Flange Bolt, GB5789	4
2	100795792	Control Panel Assembly, See Figure G	1
3	5.1830.022	CO Alarm	1
4	100010954-0002	M5 X 12 Screw	2
5	100005138	Clamp Ø9.5 x 8	6
6	100795715	Switch Assembly	1
7	100010947-0001	M4 x 12 Screw	3
8	100777352	Fuel Tube 3	1
9	100011268-0002	M6 x 25 Flange Bolt	4
10	100010439-0001	Washer Ø6.5 x 2 x Ø25	5
11	100799457	Fuel Tank Assembly, See Figure F	1
12	100005159	Clamp Ø10.5 x 8	1
13	100777343	Fuel Tube 2	1
14	100755642	Clamp Ø8.5 x 8	2
15	100777337	Solenoid Valve	1
16	100724536	Waterproof cap	1
17	100775828	Carbon Canister	1
18	100011452-0003	M6 Flange Nut, GB6177.1	4
19	100005130	Clamp Ø9 x 8	1
20	100777342	Fuel Tube 1	1
21	100777338	Fuel Tube	1
22	100147110	Flange Bolt M4 x 8	3
23	100009074	Rubber Damper	1
24	100000671	Clamp Ø13	2
25	100799456	Frame Assembly, See Figure H	1
26	100011269-0003	M6 x 28 Flange Bolt	1
27	100128826-0001	Toothed Lock Washer Ø6	1
28	100009983	Grounding Wire	1
29	100010886-0004	Spring Washer Ø6	2
30	100011421-0003	M6 Flange Nut, GB6170	1

#	Part Number	Description	Qty.
31	100010920-0002	Flat Washer Ø6	2
32	100010828-0002	M6 Butterfly Type Nut	1
33	100011453-0003	M8 Lock Nut, Flange	2
34	100098470-0002	Reinforcement Block	2
35	100011261-0004	M6 x 12 Flange Bolt	5
36	100011320-0002	M8 x 35 Flange Bolt	2
37	100799458	Alternator Assembly, See Figure E	1
38	1ZC7DC032	Engine, 224 cc	1
39	100000655	Clip B	2
40	100011565-0002	M6 x 10 Bolt	2
41	100005156-0001	Clamp 1	2
42	100774698	Air Valve Tube	1
43	100064466	Fuel Tube Clamp	2
44	100774696	Air Tube	1
45	100730123	Clamp Ø25	1
46	100774699	Fuel Hose Ø12.7 x Ø21.3 x 135	1
47	100757369	Muffler Gasket	1
48	100799459	Muffler Assembly	1
49	100774690	Muffler Subassembly	1
50	100011422-0004	M8 Flange Nut	2
51	100751213-0001	Muffler Bracket	1
52	100011230-0002	M8 x 16 Flange Bolt, GB5787	2
53	100776885	Muffler	1
54	100097575-0002	M6 x 10 Flange Bolt, QC340	3
55	100721012-0002	M6 x 8 Flange Bolt, QC340	5
56	100724737	Muffler Guard	1
57	100724738	Spark Arrester Assembly	1

ENGINE PARTS DIAGRAM

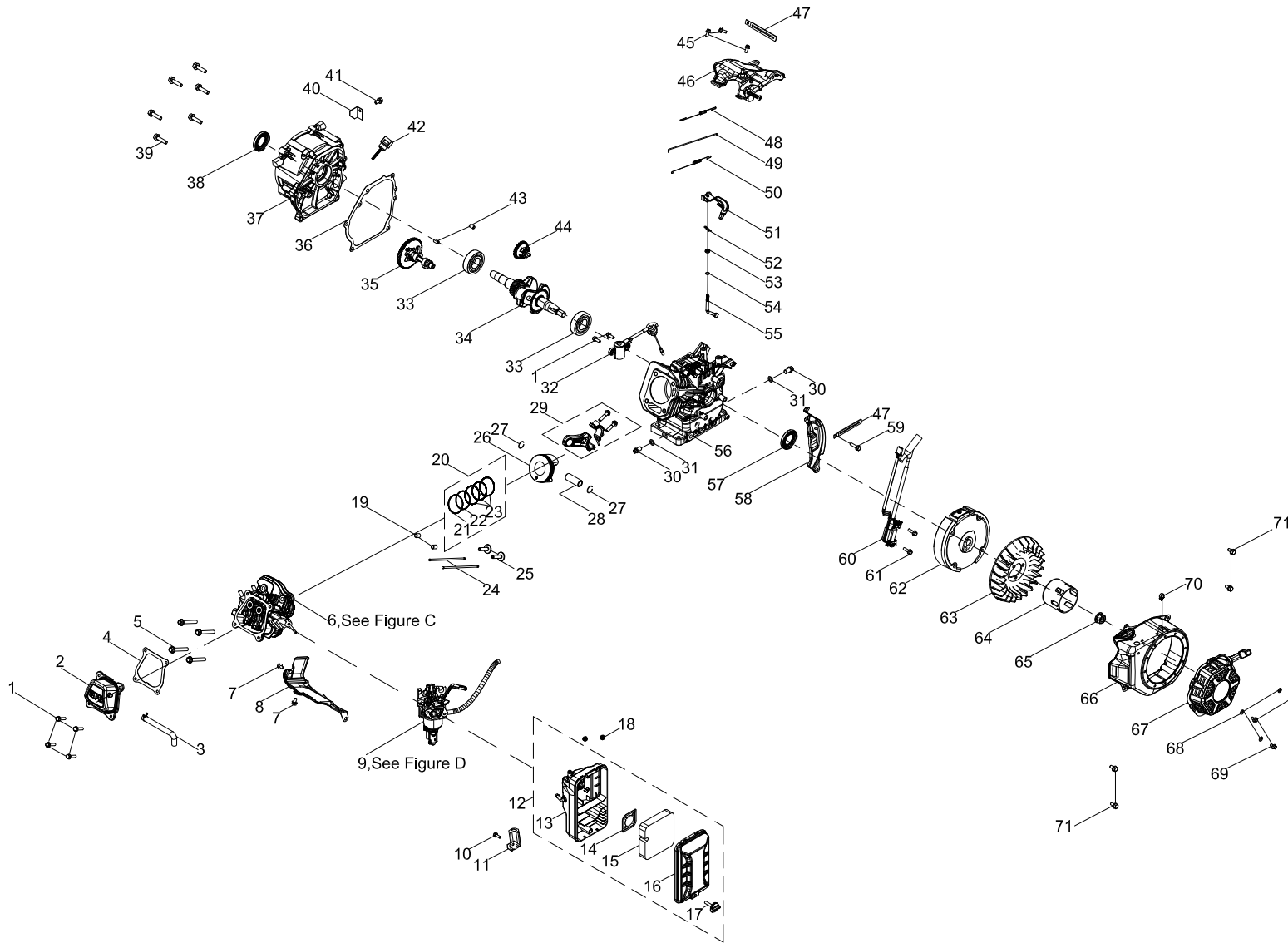


Figure B

ENGINE PARTS LIST

#	Part Number	Description	Qty.
1	100011264-0003	M6 x 16 Flange Bolt, GB5789	6
2	100002335	Cylinder Head Cover(Cpe)	1
3	100719261-0001	Breather Tube	1
4	100079562	Cylinder Head Cover Gasket	1
5	100002464-0001	M8 x 60 Flange Bolt	4
6	100800432	Cylinder Head Assembly - See Figure C	1
7	100011260-0005	M6 x 10 Flange Bolt, GB5789	2
8	100774802	Lower Air Guide	1
9	100800431	Carburetor Assembly - See Figure D	1
10	100011570-0001	M6 x 12 Flange Bolt,GB16674	1
11	100021030	Air Cleaner Support Bracket	1
12	100731202	Air Filter Assembly	1
13	100731587	Air Filter Base	1
14	100005078	Air Filter Baffle	1
15	100004771	Air Filter Element	1
16	100717012	Air Filter Cover	1
17	100004949	Air Filter Bolt	1
18	100011463-0002	M6 Flange Nut	2
19	100010558	Dowel Pin Ø10 x 16	2
20	100148348	Piston Ring Set	1
21	100148347	1st Piston Ring	1
22	100072135	2nd Piston Ring	1
23	100148346	Oil Ring	1
24	100149269	Push Rod	2
25	100004262	Valve Lifter	2
26	100003086	Piston	1
27	100003221	Circlip	2
28	100003123	Wrist Pin	1
29	100003446	Connecting Rod	1
30	100010272	Drain Bolt, M10 x 1.25 x 15	2

#	Part Number	Description	Qty.
31	100010459	Washer Ø10 x 1.5 x Ø16	2
32	100094034	Oil Level Sensor	1
33	100010761	Bearing, TM6205	2
34	100085214	Crankshaft	1
35	100775965	Camshaft	1
36	100075572	Crankcase Cover Gasket	1
37	100002961	Crankcase Cover	1
38	100017651	Oil Seal Ø25 x Ø41.25 x 6, Spiral Grain	1
39	100011319-0001	M8 x 32 Flange Bolt	6
40	100020165	End Cover Support	1
41	100011261-0004	M6 x 12 Flange Bolt	1
42	100004105-0006	Oil Dipstick Assembly	1
43	100010550	Dowel Pin Ø8 x 14	2
44	100129155	Governor Gear	1
45	100011215-0001	M6 x 12 Flange Bolt	3
46	100774801	Engine Fan Air Guide	1
47	100000655	Wire Clip B	2
48	100007840	Governor Spring	1
49	100007947	Governor Rod	1
50	100007920	Throttle Return Spring	1
51	100008417	Governor Arm	1
52	100007986	Governor Shaft Cotter	1
53	100017630	Oil Seal Ø6 x Ø11 x 4	1
54	100010113	Sealing Ring, Ø5.2 x 1.9	1
55	100007976	Governor Shaft	1
56	100775967-0001	Crankcase	1
57	100017644	Oil Seal Ø25 x Ø41.25 x 6	1
58	100150077	Lower Guard	1
59	100011266-0004	M6 x 20 Flange Bolt	1
60	100161478	Ignition Module	1

#	Part Number	Description	Qty.
61	100011268-0003	M6 x 25 Flange Bolt	2
62	100009503	Flywheel	1
63	100718227	Engine Cooling Fan	1
64	100007550	Starter Pulley	1
65	100011459-0003	M14 x 1.5 Flange Nut	1
66	100774950-0001	Fan Cover, Yellow	1
67	100156547-0002	Recoil Starter, Black	1
68	100010894-0002	Washer Ø6	3
69	100011528-0002	M6 x 10 Flange Bolt	3
70	100000671	Clamp Ø13	1
71	100011262-0003	M6 x 14 Flange Bolt, GB5789	4

CYLINDER HEAD PARTS DIAGRAM

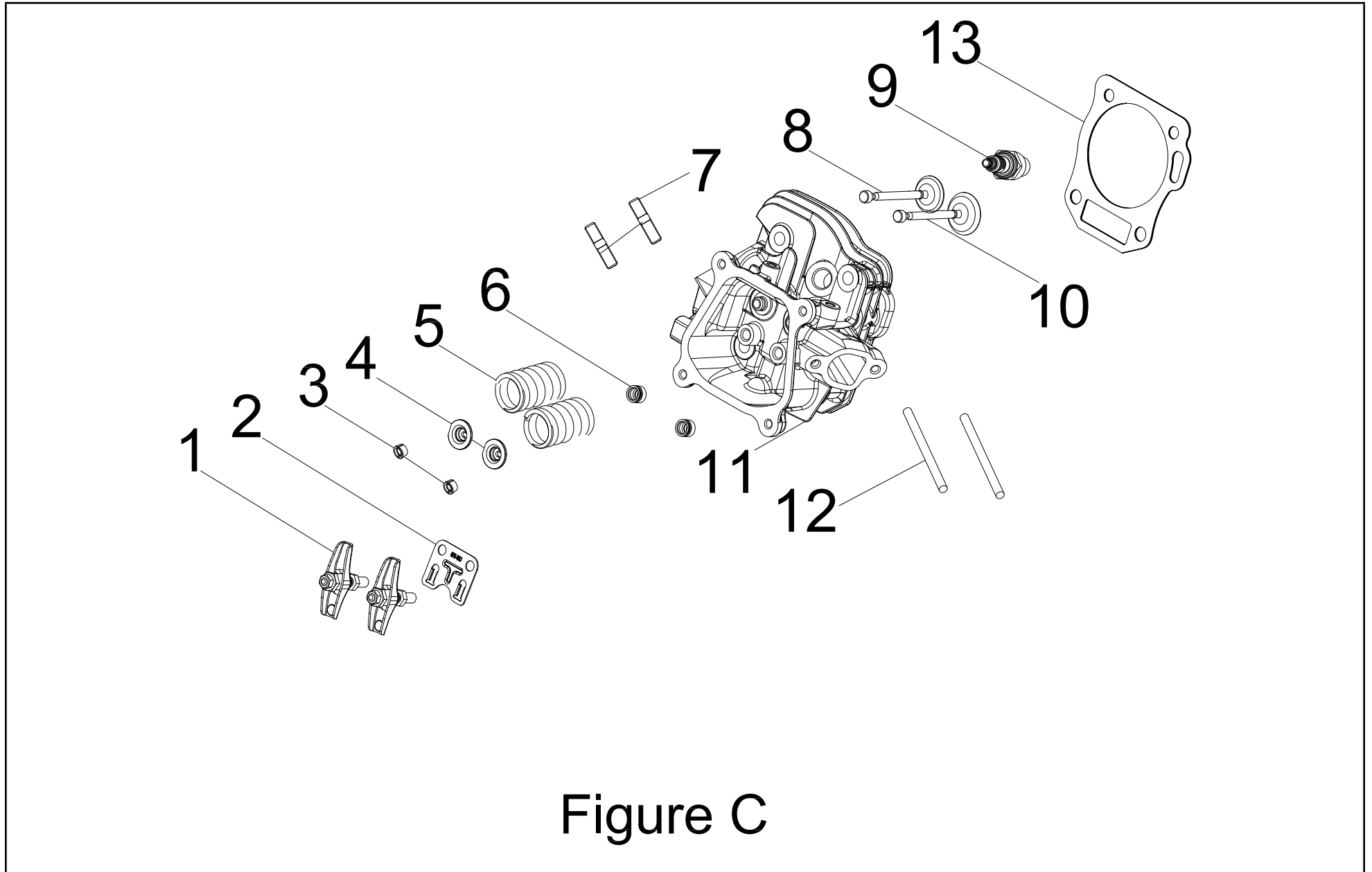


Figure C

CYLINDER HEAD PARTS LIST

#	Part Number	Description	Qty.
1	100149239	Rocker Arm Assembly	2
2	100764541	Push Rod Guide Plate	1
3	100050896	Valve Collet	4
4	100073758	Upper Valve Spring Seat	2
5	100713979	Spring Valve	2
6	100004599	Intake Valve Oil Seal	2
7	100010389	M8 x 35 Stud Bolt	2
8	100713981	Exhaust Valve	1
9	100009378	Spark Plug F6RTC	1
10	100713980	Intake Valve	1
11	100775964	Cylinder Head	1
12	100010354	M6 x 96 Stud Bolt	2
13	100155656	Cylinder Head Gasket	1

CARBURETOR PARTS DIAGRAM

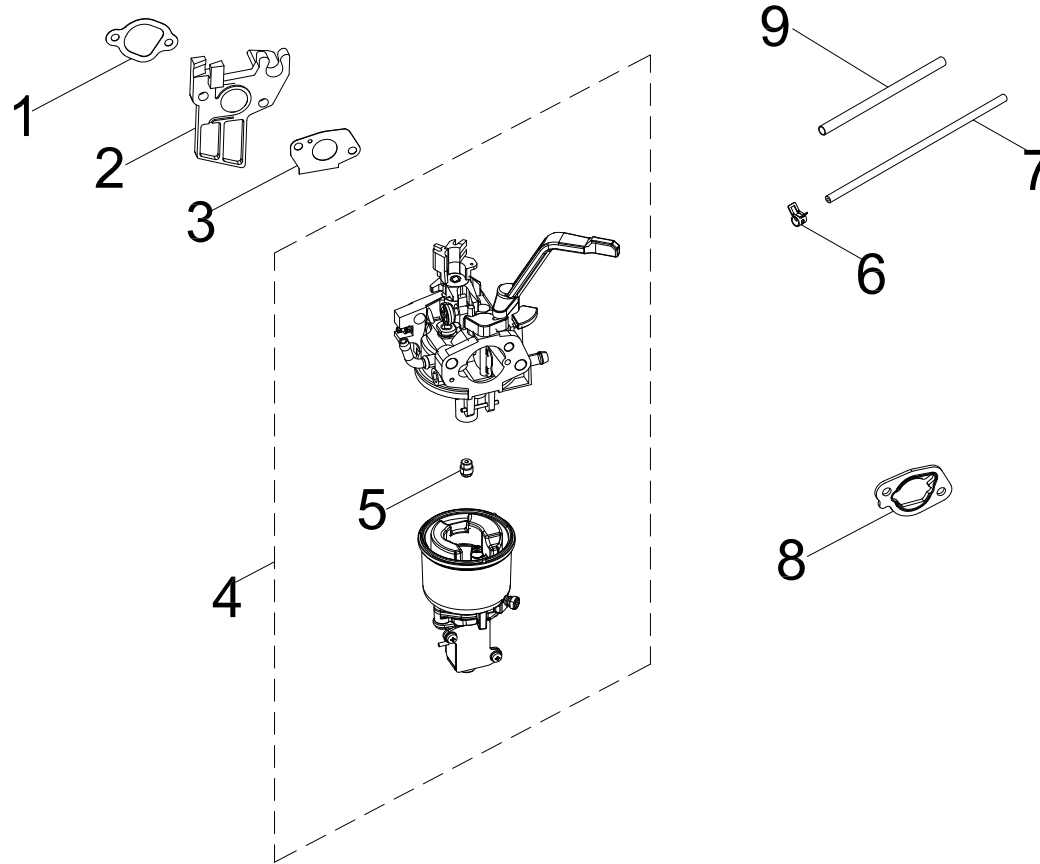


Figure D

CARBURETOR PARTS LIST

#	Part Number	Description	Qty.
1	100078607	Insulator Gasket	1
2	100005599	Carburetor Insulator	1
3	100078606	Carburetor Gasket 1	1
4	100775938	Carburetor	1
5	100053239	Main Jet Standard	1
	100005767	Main Jet Altitude 1000-3000m	/
6	100005130	Clamp	1
7	100777351	Fuel Tube, Ø4 x Ø10 x 340	1
8	100005629-0001	Carburetor Gasket 2	1
9	100764299	Fuel Hose Jacket	1

ALTERNATOR PARTS DIAGRAM

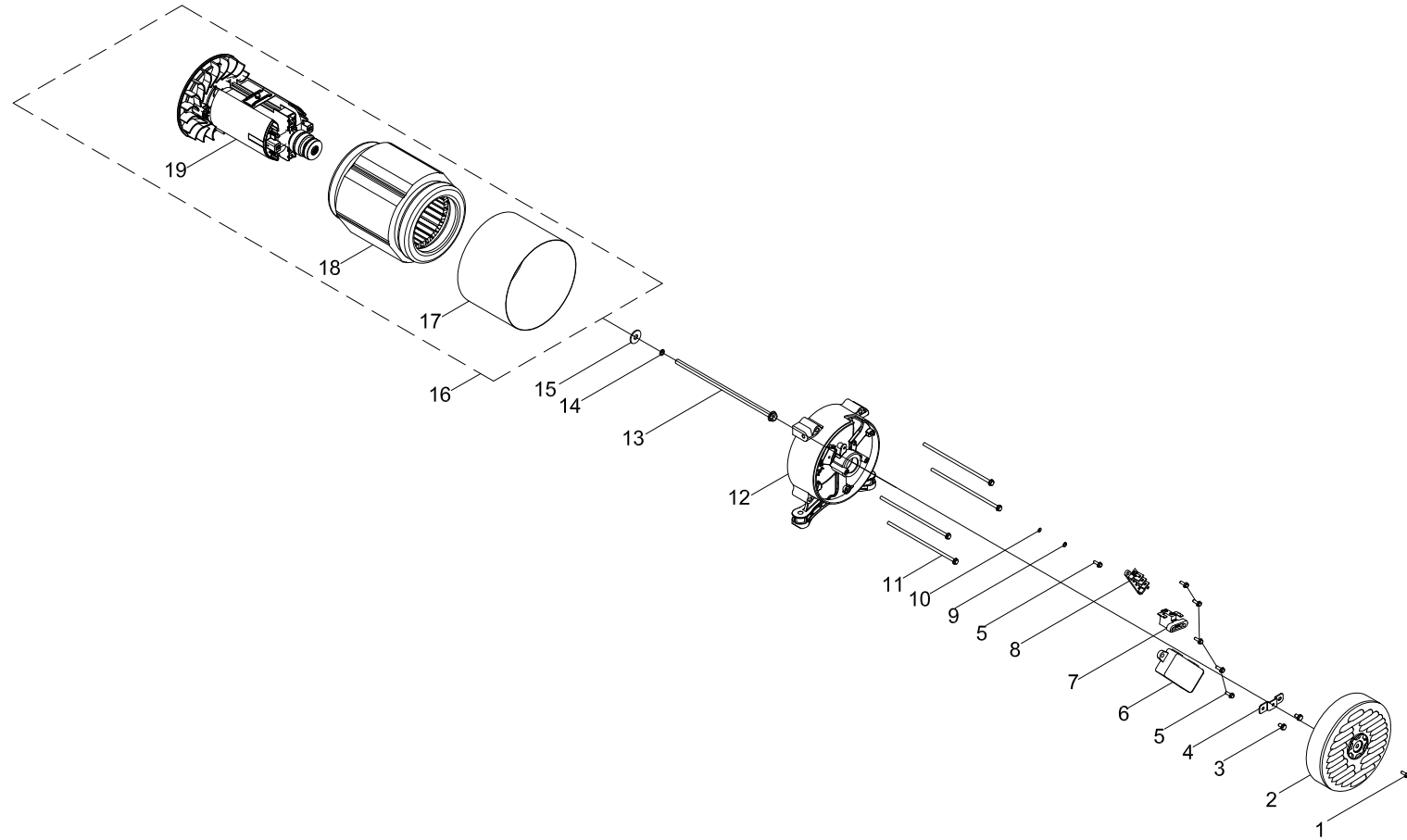


Figure E

ALTERNATOR PARTS LIST

#	Part Number	Description	Qty.
1	100011527-0004	M6 x 8 Flange Bolt	1
2	100717500-0001	Generator End Cover	1
3	100011250-0002	M5 x 14 Flange Bolt	2
4	100722067	Support Block	1
5	100011252-0001	M5 x 18 Flange Bolt	6
6	100750028	AVR	1
7	100018592	Carbon Brush Assembly	1
8	100018701	Terminal Block	1
9	100010885-0004	Spring Washer Ø5	1
10	100010919-0002	Flat Washer Ø5	1
11	100011299-0001	M6 x 175 Flange Bolt	4
12	100018567	End Housing	1
13	100148753-0001	M8 x 1 x 230 Flange Bolt	1
14	100010887-0004	Spring Washer Ø8	1
15	100010899-0002	Washer Ø8	1
16	100781457	Alternator Assembly, AI	1
17	100799962	Stator Cover	1
18	100794161	Stator Assembly, AI	1
19	100794162	Rotor Assembly, AI	1

FUEL TANK PARTS DIAGRAM

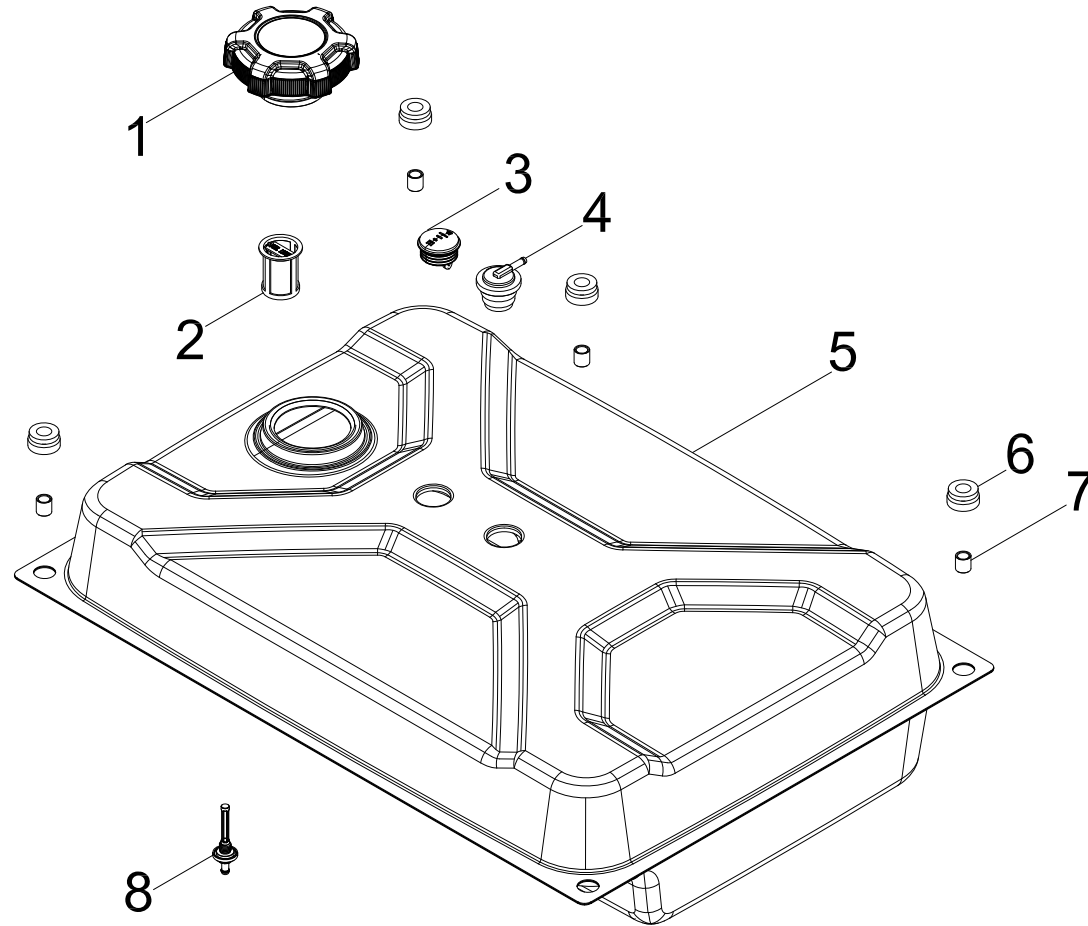


Figure F

FUEL TANK PARTS LIST

#	Part Number	Description	Qty.
1	100142004	Fuel Tank Cap	1
2	100775824	Fuel Filter Assembly	1
3	100712045	Fuel Gauge	1
4	100099571	Reversal Valve	1
5	100799672	Fuel Tank	1
6	100032369	Vibration Mounting, Fuel Tank	4
7	100021118	Bushing, Ø12 x Ø9 x 13	4
8	100714546	Fuel Tank Nipple	1

CONTROL PANEL PARTS DIAGRAM

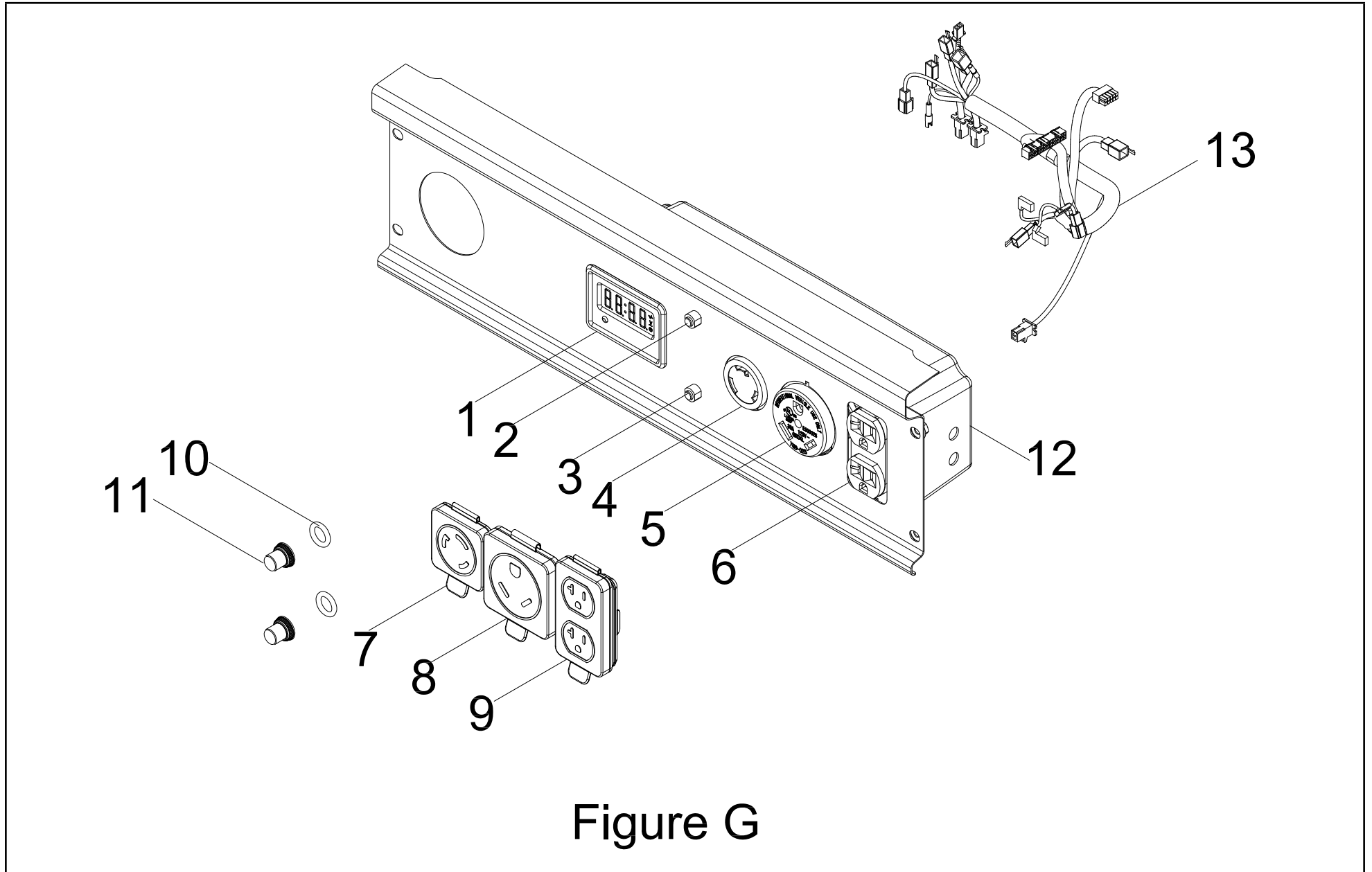


Figure G

CONTROL PANEL PARTS LIST

#	Part Number	Description	Qty.
1	100727009	Intelligauge, INTAOF	1
2	100019754	20Amp Circuit Breaker, Push Button	1
3	100019751	30Amp Circuit Breaker, Push Button	1
4	100020005	Receptacle L5-30R	1
5	100020008	Receptacle TT-30R	1
6	100020029	Receptacle 5-20R, Duplex	1
7	100731573	Receptacle Cover L5-30R	1
8	100731572	Receptacle Cover TT-30R	1
9	100731575	Receptacle Cover 5-20R, Duplex	1
10	100031552	O-Ring	2
11	100120180	Breaker Cover, Switch	2
12	100746656-0001	Control Panel Rear Cover	1
13	100794157	Wire Harness Assembly	1

FRAME ASSEMBLY PARTS DIAGRAM

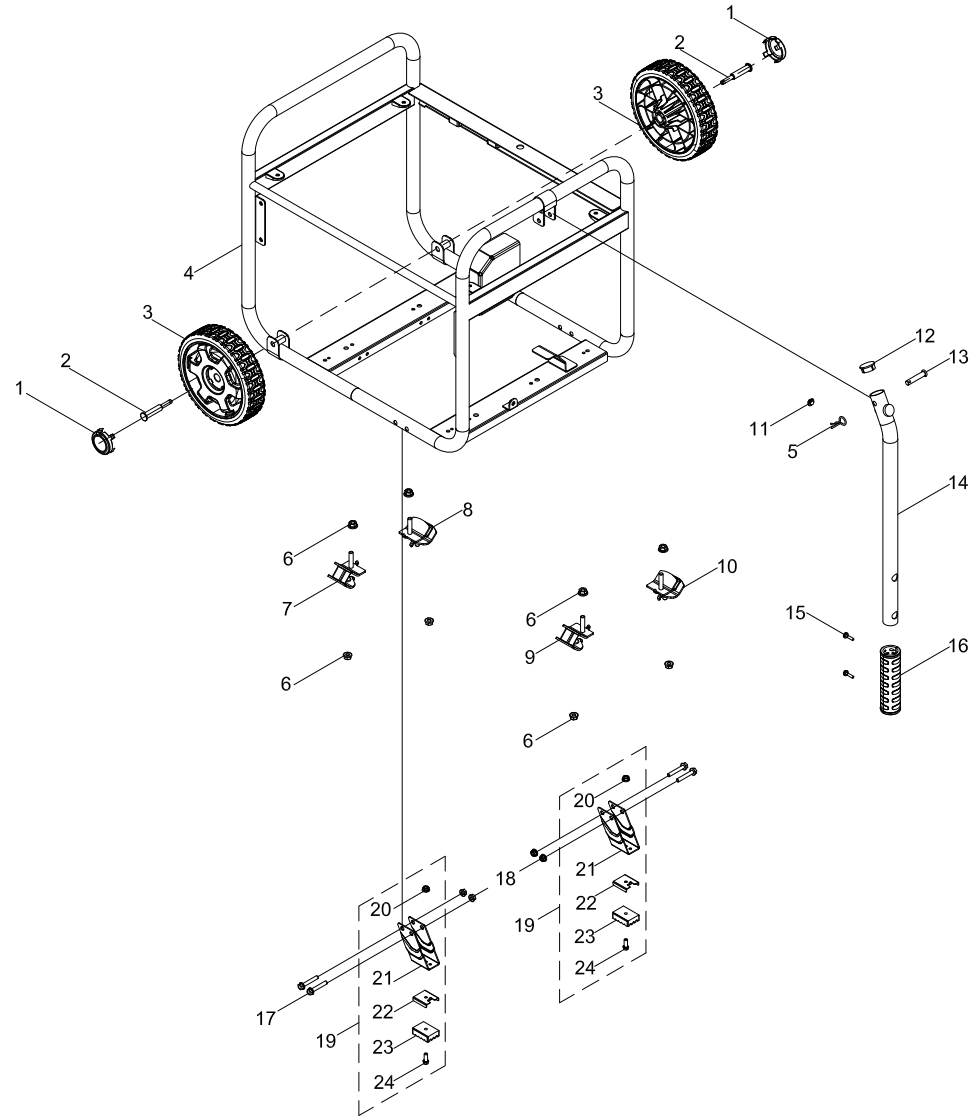


Figure H

FRAME ASSEMBLY PARTS LIST

#	Part Number	Description	Qty.
1	100712243-0001	Yellow Tire Cover	2
2	100714025	Roll Pin Ø10	2
3	100714023-0001	8 In. Wheel, Yellow	2
4	100775829-0001	Frame	1
5	100714685-0001	R-pin, R5	3
6	100011453-0003	M8 Flange Lock Nut	8
7	100020986-0001	Vibration Mount 3	1
8	100775843	Vibration Mount 4	1
9	100021000-0001	Vibration Mount 1	1
10	100793533	Vibration Mount 2	1
11	100078853-0001	Cushion Pad	1
12	100078743	Handle Plug	1
13	100011047-0003	Roll Pin Ø8 x 40	1
14	100734628-0001	Handle	1
15	100095857-0005	M4 x 18 Flange Bolt	2
16	100716888-0001	Sheath	1
17	100011325-0004	M8 x 40 Flange Bolt	4
18	100011453-0002	M8 Flange Nut, GB6177.1	4
19	100716098-0001	Support Leg Assembly	2
20	100011452-0002	M6 Flange Lock Nut	2
21	100724735-0001	Support Leg	2
22	100068623-0001	Stop Block	2
23	100058956	Vibration Mount	2
24	100011266-0004	M6 x 20 Flange Bolt	2

WIRING DIAGRAM

