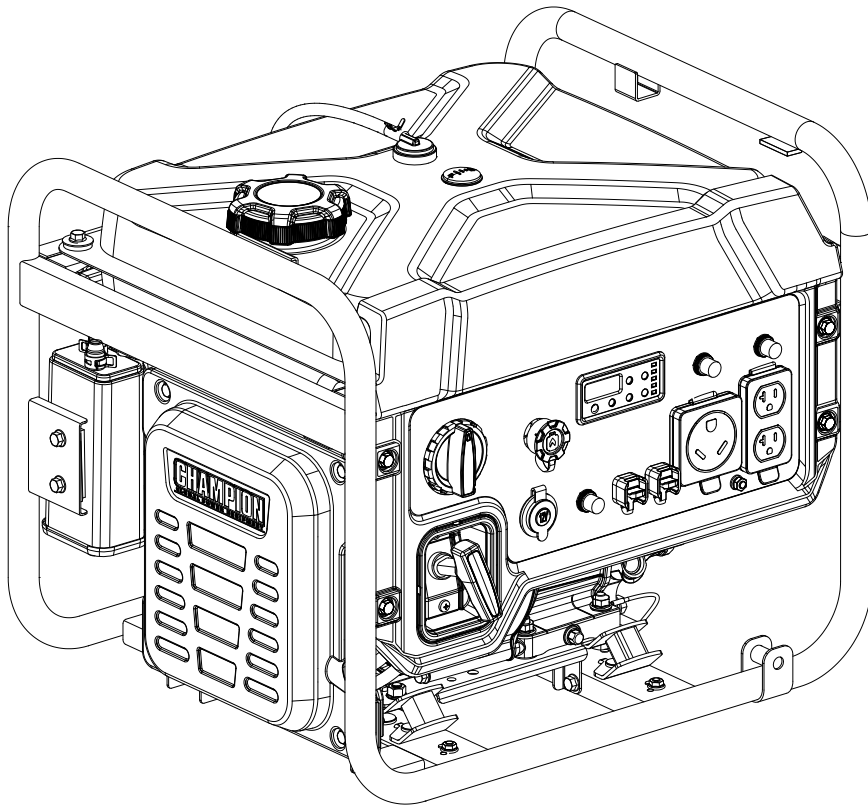




Champion Power Equipment, Inc.

MODEL #201254



PARTS INFORMATION

5500W DUAL FUEL OPEN FRAME INVERTER

SERIAL NUMBER RANGE: ALL



To order replacement parts please visit:
shop.championpowerequipment.com
or call **1-877-338-0999**.

TABLE OF CONTENTS

| | |
|---|-----------|
| Inverter Parts Diagram | 3 |
| Inverter Parts List | 4 |
| Engine Parts Diagram | 6 |
| Engine Parts List | 7 |
| Cylinder Head Parts Diagram | 9 |
| Cylinder Head Parts List | 10 |
| Carburetor Parts Diagram | 11 |
| Carburetor Parts List | 12 |
| Fuel Tank Parts Diagram | 13 |
| Fuel Tank Parts List | 14 |
| Control Panel Parts Diagram | 15 |
| Control Panel Parts List | 16 |
| Frame Assembly Parts Diagram | 17 |
| Frame Assembly Parts List | 18 |
| Wiring Diagram | 19 |

INVERTER PARTS DIAGRAM

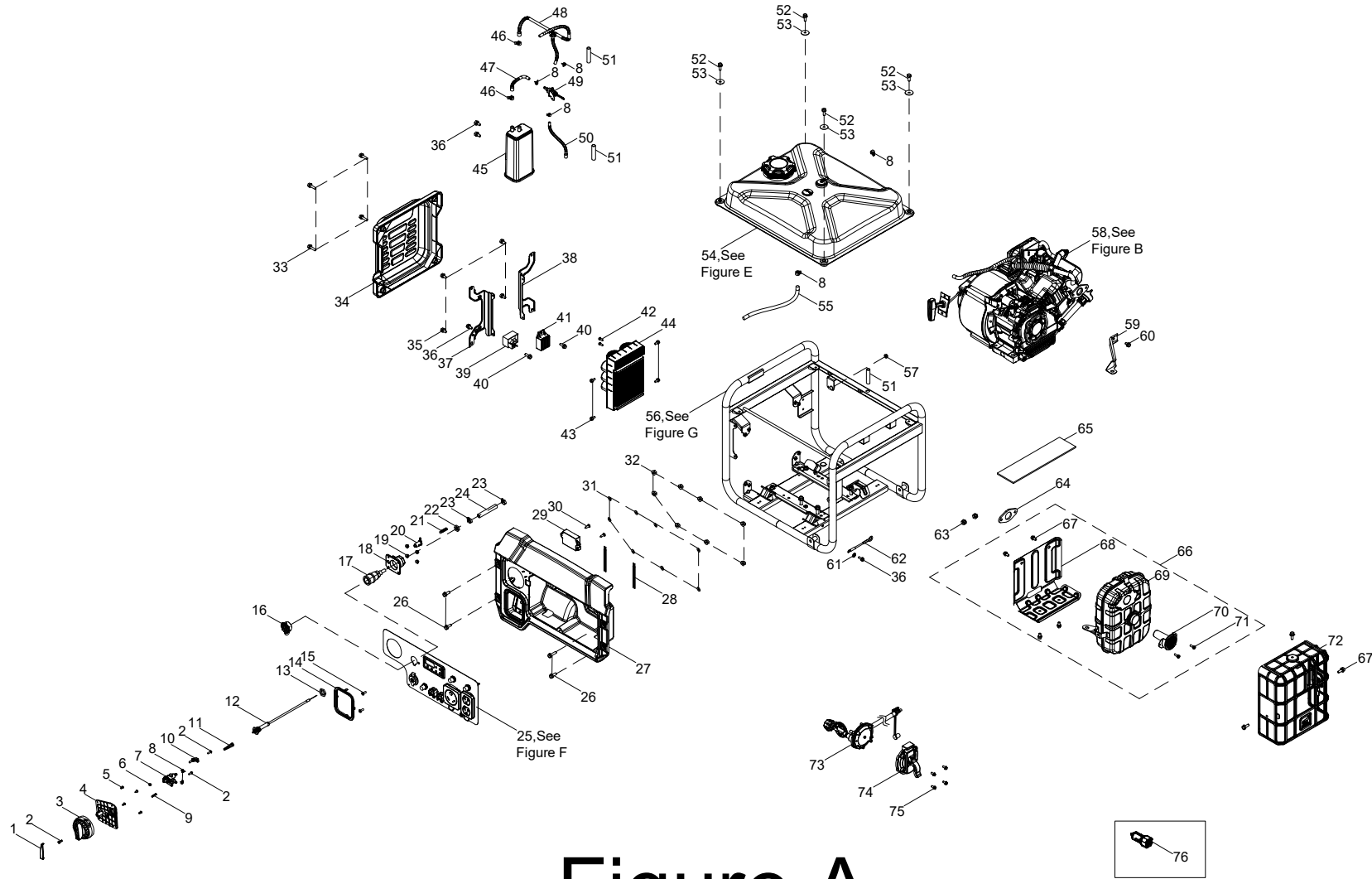


Figure A

INVERTER PARTS LIST

| # | Part Number | Description | Qty. |
|----|----------------|---|------|
| 1 | 100712234 | Cover, Dial Knob | 1 |
| 2 | 100031845-0002 | Screw M4 x 12, GB823 | 3 |
| 3 | 100725108 | Fuel Dial | 1 |
| 4 | 100725109 | Mounting Seat, Fuel Dial | 1 |
| 5 | 100032963-0003 | Self-tapping Screw ST3.5 x 13 | 4 |
| 6 | 100725112 | Slide Block, Fuel Switch | 1 |
| 7 | 100728457 | Fuel Valve | 1 |
| 8 | 100005138 | Clamp Ø9.5 x 8 | 7 |
| 9 | 100725111 | Fuel Dial Spring | 1 |
| 10 | 100725113 | Stopper, Fuel Dial | 1 |
| 11 | 100779920 | Spring, Choke Lever | 1 |
| 12 | 100726676 | Choke Lever Rack | 1 |
| 13 | 100729582 | Nut M16 x 1.5 | 1 |
| 14 | 100725010 | Deco Trim, Recoil | 1 |
| 15 | 100010954-0001 | Screw M5 x 12, GB818 | 2 |
| 16 | 100158478 | Protector Cover, Quick Connector | 1 |
| 17 | 100715707 | Self-locking Quick Connector, Female | 1 |
| 18 | 100157218 | Mounting Seat, Self-locking Quick Connector | 1 |
| 19 | 100011065-0002 | Flange Nut M4 | 4 |
| 20 | 100157217 | Sliding Block, Mounting Seat | 1 |
| 21 | 100157221 | Spring, Mounting Seat | 1 |
| 22 | 100160807 | Nut M10 | 1 |
| 23 | 100159468-0001 | Clamp, Fuel Hose | 2 |
| 24 | 100729983 | Gas Hose | 1 |
| 25 | 100804343-0001 | Panel Assembly, See Figure F | 1 |
| 26 | 100011264-0002 | Flange Bolt M6 x 16, GB5789 | 4 |
| 27 | 100809257-0001 | Control Panel Housing | 1 |
| 28 | 100062546 | Wire Clip B | 2 |
| 29 | 5.1830.022 | CO Shutdown Module | 1 |
| 30 | 100011002-0003 | Self-tapping Screw ST4.2 x 19, GB845 | 2 |

| # | Part Number | Description | Qty. |
|----|----------------|-----------------------------------|------|
| 31 | 100010909-0003 | Washer Ø5 | 8 |
| 32 | 100011450-0001 | Flange Nut M4, GB6177.1 | 8 |
| 33 | 100011266-0003 | Flange Bolt M6 x 20, GB5789 | 4 |
| 34 | 100725013-0001 | Protective Cover, Inverter Module | 1 |
| 35 | 100011261-0004 | Flange Bolt M6 x 12, GB5789 | 4 |
| 36 | 100011260-0005 | Flange Bolt M6 x 10, GB5789 | 4 |
| 37 | 100725872 | Bracket, Inverter Module, Right | 1 |
| 38 | 100725861 | Bracket, Inverter Module, Left | 1 |
| 39 | 100715460 | Fuel Solenoid Valve Controller | 1 |
| 40 | 100011264-0003 | Flange Bolt M6 x 16 | 2 |
| 41 | 100800261 | Rectifier Bridge, Capacitance | 1 |
| 42 | 100143032-0001 | Flange Bolt M4 x 10, GB9074.8 | 2 |
| 43 | 100011250-0002 | Flange Bolt M5 x 14, GB5789 | 4 |
| 44 | 100777916 | Inverter Module, 120V 60Hz | 1 |
| 45 | 100094372 | Carbon Canister, 380 cc | 1 |
| 46 | 100805819 | Clamp Ø13 x 10 | 2 |
| 47 | 100789780 | Fuel Hose, Ø4 x Ø10 x 90 | 1 |
| 48 | 100789776 | Fuel Hose | 1 |
| 49 | 100804035 | Solenoid Valve | 1 |
| 50 | 100789781 | Fuel Hose | 1 |
| 51 | 100795975 | Tube Sheath, Silicon Resin | 3 |
| 52 | 100011267-0002 | Flange Bolt M6 x 22, GB5789 | 4 |
| 53 | 100010437-0001 | Washer Ø6.5 x 1.5 x Ø18.2 | 4 |
| 54 | 100794714 | Fuel Tank Assembly, See Figure E | 1 |
| 55 | 100792439 | Fuel Tube, Ø4 x Ø10 x 255 | 1 |
| 56 | 100794715 | Frame Assembly - See Figure C | 1 |
| 57 | 100011463-0002 | Flange Nut M6, GB6177.1 | 1 |
| 58 | 1ZC7DC037 | Engine, See Figure B | 1 |
| 59 | 100158476 | Holder, Air Cleaner | 1 |
| 60 | 100011570-0001 | Flange Bolt M6 x 12, GB16674 | 1 |

| # | Part Number | Description | Qty. |
|----|----------------|------------------------------------|------|
| 61 | 100128826-0001 | Lock Washer Ø6, Toothed | 1 |
| 62 | 100729994 | Grounding Wire | 1 |
| 63 | 100011422-0004 | Flange Nut M8, GB6170 | 2 |
| 64 | 100058175 | Gasket, Muffler, Graphite | 1 |
| 65 | 100726331 | Insulation Foam | 1 |
| 66 | 100791185 | Muffler Subassembly | 1 |
| 67 | 100097575-0002 | Flange Bolt M6 x 10, QC340 | 7 |
| 68 | 100791248 | Heat Insulation Board | 1 |
| 69 | 100151976 | Muffler | 1 |
| 70 | 100154368 | Spark Arrester Assembly | 1 |
| 71 | 100718327 | Mounting Bolt, Spark Arrester | 2 |
| 72 | 100142015-0002 | Muffler Cover | 1 |
| 73 | 100715708-0001 | LPG Hose with Regulator | 1 |
| 74 | 100715007 | Mounting Cover, Gas Pressure Valve | 1 |
| 75 | 100011570-0007 | Flange Bolt M6 x 12 | 4 |
| 76 | 100155005 | 5VDC USB Adapter | 1 |

ENGINE PARTS DIAGRAM

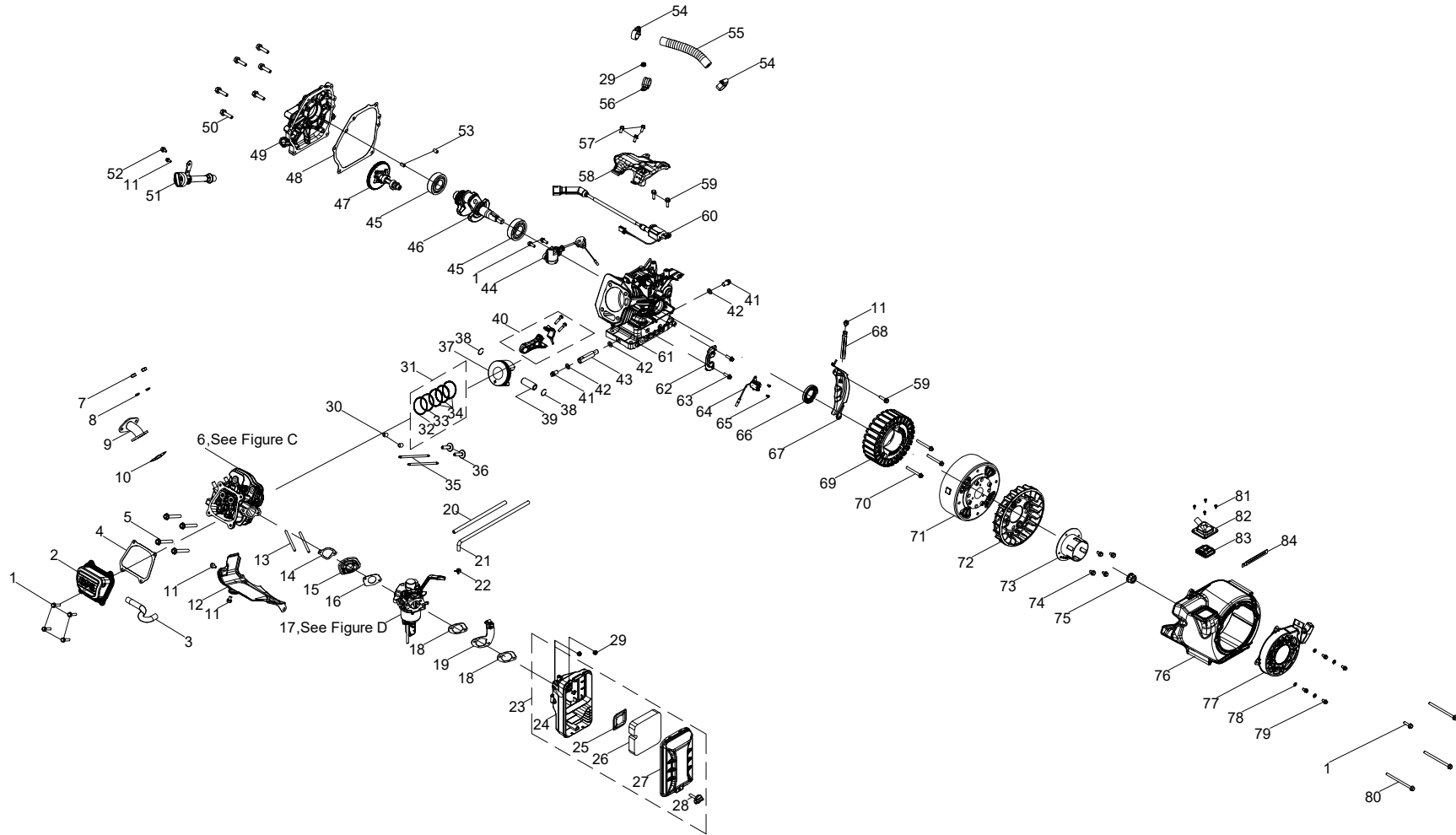


Figure B

ENGINE PARTS LIST

| # | Part Number | Description | Qty. |
|----|----------------|--------------------------------------|------|
| 1 | 100011264-0003 | Flange Bolt M6 x 16, GB5789 | 7 |
| 2 | 100786831 | Cylinder Head Cover(Cpe) | 1 |
| 3 | 100791921 | Breather Tube | 1 |
| 4 | 100772600 | Gasket, Cylinder Head Cover | 1 |
| 5 | 100002464-0001 | Flange Bolt M8 x 60 | 4 |
| 6 | 100795130 | Cylinder Head Assembly, See Figure C | 1 |
| 7 | 100011422-0004 | Flange Nut M8, GB6170 | 2 |
| 8 | 100010887-0004 | Spring Washer Ø8 | 2 |
| 9 | 100790960 | Exhaust Pipe | 1 |
| 10 | 100006526 | Gasket, Muffler | 1 |
| 11 | 100011260-0005 | Flange Bolt M6 x 10, GB5789 | 4 |
| 12 | 100774802 | Air Guide, Lower | 1 |
| 13 | 100061091 | Stud Bolt M6 x 98 | 2 |
| 14 | 100772601 | Gasket, Insulator | 1 |
| 15 | 100774618 | Insulator, Carburetor | 1 |
| 16 | 100060759 | Gasket, Carburetor | 1 |
| 17 | 100809301 | Carburetor Assembly, See Figure D | 1 |
| 18 | 100067685 | Gasket, Carburetor | 2 |
| 19 | 100773402 | Choke Lever Rack | 1 |
| 20 | 100792441 | Fuel Hose Jacket | 1 |
| 21 | 100792440 | Fuel Pipe, Ø4 x Ø10 x 320 | 1 |
| 22 | 100005138 | Clamp, Ø9.5 x 8 | 1 |
| 23 | 100791920 | Air Cleaner Assembly | 1 |
| 24 | 100793801 | Air Cleaner Base | 1 |
| 25 | 100005078 | Air Cleaner Baffle | 1 |
| 26 | 100004771 | Air Cleaner Element | 1 |
| 27 | 100717012 | Air Cleaner Cover | 1 |
| 28 | 100004949 | Air Cleaner Bolt | 1 |
| 29 | 100011463-0002 | Flange Nut M6, GB16677.1 | 3 |
| 30 | 100010558 | Dowel Pin Ø10 x 16 | 2 |

| # | Part Number | Description | Qty. |
|----|----------------|-----------------------------|------|
| 31 | 100148348 | Piston Ring Set | 1 |
| 32 | 100072134 | 1st Piston Ring | 1 |
| 33 | 100072135 | 2nd Piston Ring | 1 |
| 34 | 100072136 | Oil Ring | 1 |
| 35 | 100772596 | Push Rod | 2 |
| 36 | 100149234 | Lifter, Valve | 2 |
| 37 | 100003086 | Piston | 1 |
| 38 | 100003221 | Circlip, Wrist Pin | 2 |
| 39 | 100003123 | Wrist Pin | 1 |
| 40 | 100788758 | Connecting Rod | 1 |
| 41 | 100010272 | Drain Bolt, M10 x 1.25 x 15 | 2 |
| 42 | 100010459 | Washer Ø10 x 1.5 x Ø16 | 3 |
| 43 | 100002910-0001 | Oil Drain Pipe | 1 |
| 44 | 100731194 | Oil Level Sensor | 1 |
| 45 | 100072204 | Bearing, TM6205E | 2 |
| 46 | 100788756 | Crankshaft | 1 |
| 47 | 100784691 | Camshaft | 1 |
| 48 | 100772116 | Gasket, Crankcase Cover | 1 |
| 49 | 100128008 | Cover, Crankcase | 1 |
| 50 | 100775432-0001 | Flange Bolt M8 x 32, GB5789 | 6 |
| 51 | 100152738-0001 | Oil Dipstick Assembly | 1 |
| 52 | 100011263-0002 | Flange Bolt M6 x 15, GB5789 | 1 |
| 53 | 100010550 | Dowel Pin Ø8 x 14 | 2 |
| 54 | 100030231 | Clamp d25, Fuel Hose | 2 |
| 55 | 100790966 | Fuel Hose | 1 |
| 56 | 100730123 | Clamp Ø25 | 1 |
| 57 | 100011215-0001 | Flange Bolt M6 x 12 | 3 |
| 58 | 100781115 | Control Assembly | 1 |
| 59 | 100011266-0004 | Flange Bolt M6 x 20, GB5789 | 3 |
| 60 | 100727607 | Ignition Coil | 1 |

| # | Part Number | Description | Qty. |
|----|----------------|-----------------------------------|------|
| 61 | 100784687 | Crankcase | 1 |
| 62 | 100122099 | Bracket, Trigger | 1 |
| 63 | 100055591-0007 | Flange Bolt M6 x 12, GB16674 | 2 |
| 64 | 100727615 | Trigger | 1 |
| 65 | 100051029-0004 | Screw M4 x 6, GB818-76 | 2 |
| 66 | 100017644 | Oil Seal Ø25 x Ø41.25 x 6 | 1 |
| 67 | 100130948 | Lower Guard | 1 |
| 68 | 100062546 | Wire Clip B 1 | 1 |
| 69 | 100786520 | Stator Assembly, Ø156 x40 mm | 1 |
| 70 | 100011540-0007 | Flange Bolt M6 x 50 , GB16674 | 3 |
| 71 | 100775603 | Rotor Assembly, Permanent Magneto | 1 |
| 72 | 100087582 | Fan, Engine Cooling | 1 |
| 73 | 100724985 | Pulley, Starter | 1 |
| 74 | 100011581-0001 | Flange Bolt M6 x 14 | 4 |
| 75 | 100011459-0003 | Flange Nut M14 x 1.5, GB6177 | 1 |
| 76 | 100794699-0001 | Fan Cover | 1 |
| 77 | 100730958-0001 | Recoil Starter | 1 |
| 78 | 100010894 | Washer Ø6 | 4 |
| 79 | 100011565 | Flange Bolt M6 x 10, GB16674.1 | 4 |
| 80 | 100011284-0003 | Flange Bolt M6 x 100, GB5789 | 3 |
| 81 | 100032962-0004 | Self-tappling Screw, ST3.5×10 | 4 |
| 82 | 100795974 | Air Valve | 1 |
| 83 | 100794787 | Air Valve | 1 |
| 84 | 100000655 | Wire Clip B | 1 |

CYLINDER HEAD PARTS DIAGRAM

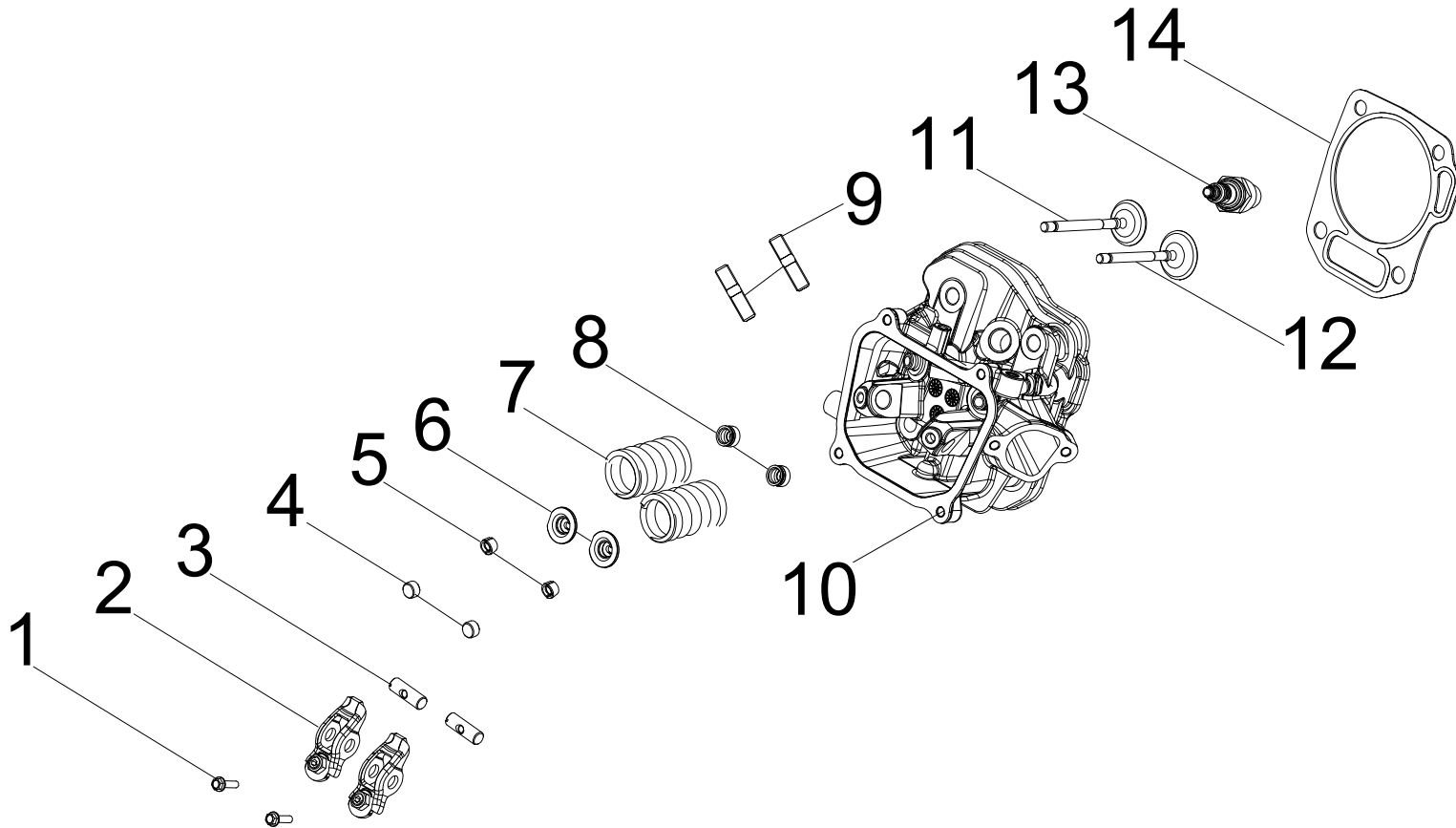


Figure C

CYLINDER HEAD PARTS LIST

| # | Part Number | Description | Qty. |
|----|----------------|---------------------------|------|
| 1 | 100011518-0001 | Flange Bolt M5 x 12 | 2 |
| 2 | 100772595 | Rocker Arm Assembly | 2 |
| 3 | 100765720 | Guide Plate, Push Rod | 2 |
| 4 | 100004588 | Valve Adjust Cap, Exhaust | 2 |
| 5 | 100050896 | Valve Collet | 4 |
| 6 | 100073758 | Valve Spring Seat, Upper | 2 |
| 7 | 100713979 | Spring, Valve | 2 |
| 8 | 100004599 | Oil Seal, Intake Valve | 2 |
| 9 | 100010387 | Stud Bolt M8 x 34 | 2 |
| 10 | 100772594 | Cylinder Head | 1 |
| 11 | 100772598 | Exhaust Valve | 1 |
| 12 | 100772597 | Intake Valve | 1 |
| 13 | 100009378 | Spark Plug F6RTC | 1 |
| 14 | 100775176 | Gasket, Cylinder Head | 1 |

CARBURETOR PARTS DIAGRAM

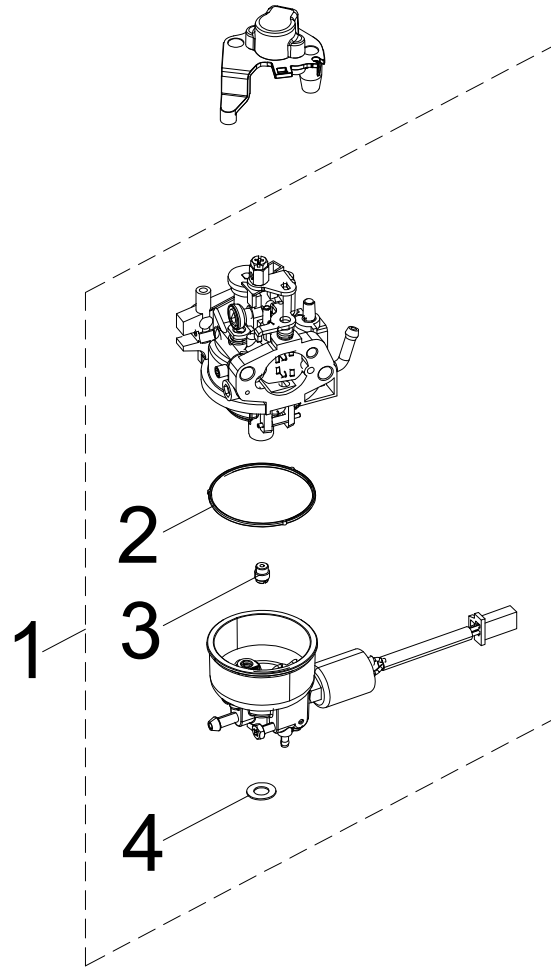


Figure D

CARBURETOR PARTS LIST

| # | Part Number | Description | Qty. |
|---|-------------|-----------------------------------|------|
| 1 | 100796506 | Carburetor | 1 |
| 2 | 100005717 | O-Ring, Fuel Bowl | 1 |
| 3 | 100776965 | Main Jet Standard (78) | 1 |
| | 100005760 | Main Jet Altitude 1000-3000m (76) | / |
| 4 | 100130186 | Gasket, Fuel Bowl Mounting Bolt | 1 |

FUEL TANK PARTS DIAGRAM

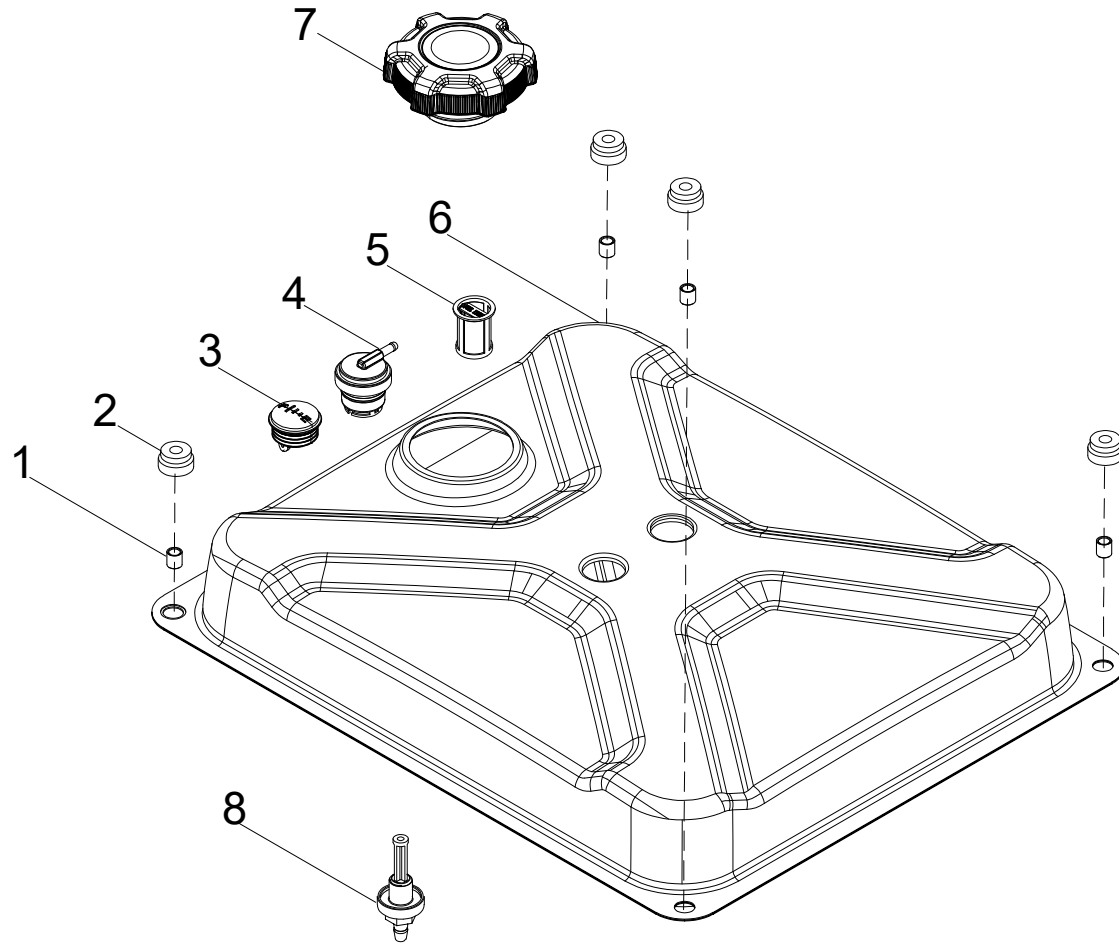


Figure E

FUEL TANK PARTS LIST

| # | Part Number | Description | Qty. |
|---|----------------|-------------------------------|------|
| 1 | 100715500 | Bushing, Ø9 x Ø6.6 x 10 | 4 |
| 2 | 100711813 | Vibration Mounting, Fuel Tank | 4 |
| 3 | 100727794 | Fuel Gauge | 1 |
| 4 | 100099571 | Reversal Valve | 1 |
| 5 | 100775824 | Fuel Filter Assembly | 1 |
| 6 | 100727618-0001 | Fuel Tank, 11L | 1 |
| 7 | 100142004 | Fuel Tank Cap | 1 |
| 8 | 100714546 | Fitting, Fuel Tank | 1 |

CONTROL PANEL PARTS DIAGRAM

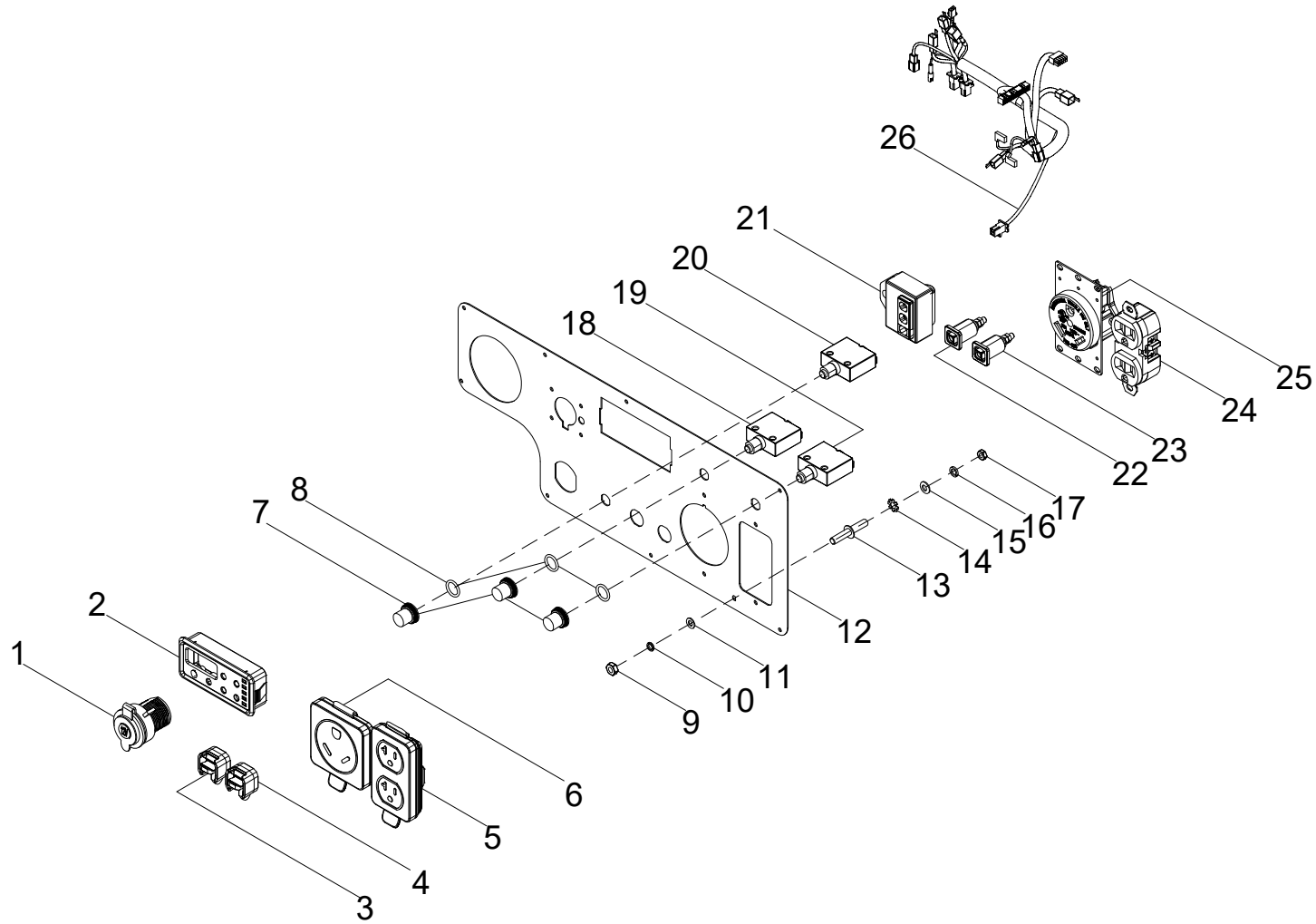


Figure F

CONTROL PANEL PARTS LIST

| # | Part Number | Description | Qty. |
|----|----------------|--------------------------------------|------|
| 1 | 100019782 | Receptacle, 12 VDC | 1 |
| 2 | 100786760 | Intelligauge, INT5CINV | 1 |
| 3 | 100735685-0001 | Cover, Parallel Outlet Socket, Red | 1 |
| 4 | 100735685-0002 | Cover, Parallel Outlet Socket, Black | 1 |
| 5 | 100731575 | Receptacle Cover, 5-20R, Duplex | 1 |
| 6 | 100731572 | Receptacle Cover, TT-30R | 1 |
| 7 | 100120180 | Cover, Circuit Breaker | 3 |
| 8 | 100031552 | O-Ring, Ø7 x 2 | 3 |
| 9 | 100011421-0002 | Flange Nut M6, GB6170 | 1 |
| 10 | 100010886-0002 | Spring Washer Ø6 | 1 |
| 11 | 100010910-0002 | Washer Ø6 | 1 |
| 12 | 100725009 | Panel Base | 1 |
| 13 | 100092320-0002 | Grounding Stud | 1 |
| 14 | 100011025-0001 | Lock Washer Ø6, Toothed | 1 |
| 15 | 100010919-0001 | Washer Ø5 | 1 |
| 16 | 100010885-0003 | Spring Washer Ø5 | 1 |
| 17 | 100011419-0003 | Flange Nut M5, GB6170 | 1 |
| 18 | 100019756 | 30Amp Circuit Breaker, Push Button | 1 |
| 19 | 100019747 | 20Amp Circuit Breaker, Push Button | 1 |
| 20 | 100057719 | 8Amp Circuit Breaker, Push Button | 1 |
| 21 | 100137347-0001 | Ignition Module | 1 |
| 22 | 100746006-0001 | Parallel Outlet Socket, Red | 1 |
| 23 | 100746006-0002 | Parallel Outlet Socket, Black | 1 |
| 24 | 100020029 | Receptacle 5-20R, Duplex | 1 |
| 25 | 100020008 | Receptacle TT-30R | 1 |
| 26 | 100800120 | Wire Harness Assembly | 1 |

FRAME ASSEMBLY PARTS DIAGRAM

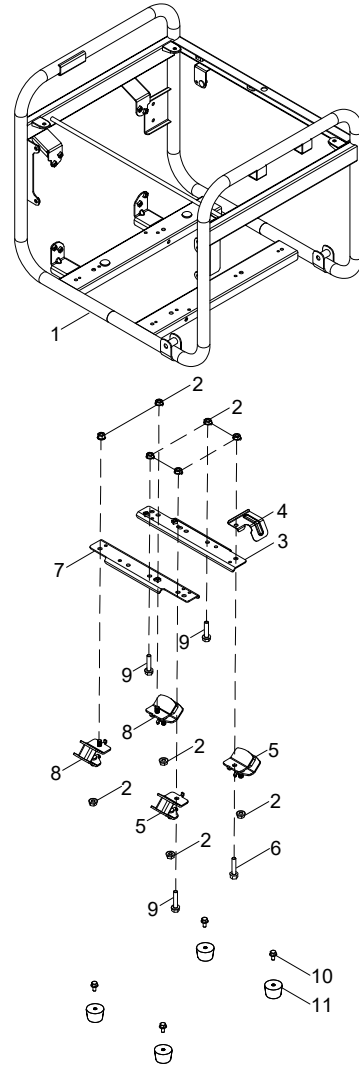


Figure G

FRAME ASSEMBLY PARTS LIST

| # | Part Number | Description | Qty. |
|----|----------------|--------------------------------|------|
| 1 | 100792011-0001 | Frame | 1 |
| 2 | 100079483-0001 | Flange Nut M8, GB6177.1 | 10 |
| 3 | 100731886 | Front Mounting Bracket, Engine | 1 |
| 4 | 100162980 | Insulator shield | 1 |
| 5 | 100796178 | Vibration Mount 2, Support | 2 |
| 6 | 100011327-0001 | Flange Bolt M8 x 43, GB5789 | 1 |
| 7 | 100162854 | Rear Mounting Bracket, Engine | 1 |
| 8 | 100796177 | Vibration Mount 1, Support | 2 |
| 9 | 100011320-0002 | Flange Bolt M8 x 35, GB5789 | 3 |
| 10 | 100011261-0004 | Flange Bolt M6 x 12, GB5789 | 4 |
| 11 | 100022336 | Damping Pad | 4 |

WIRING DIAGRAM

