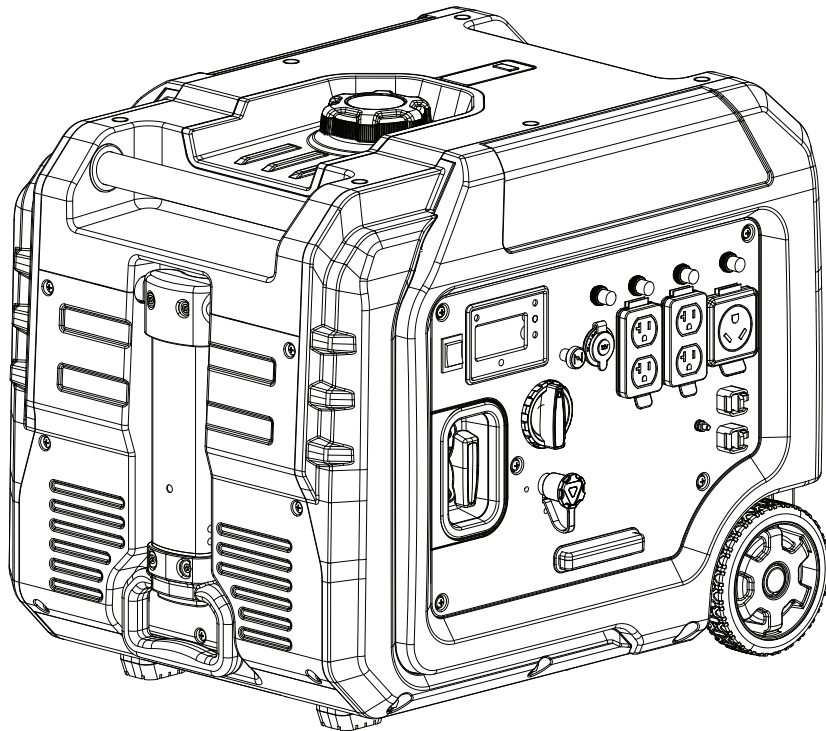




Champion Power Equipment, Inc.

MODEL #201534



PARTS INFORMATION

5500W TRI-FUEL ELECTRIC START INVERTER GENERATOR

SERIAL NUMBER RANGE: ALL



To order replacement parts please visit:
shop.championpowerequipment.com
or call **1-877-338-0999**.

TABLE OF CONTENTS

Inverter Generator Parts Diagram	3
Inverter Generator Parts List	4
Engine Parts Diagram	6
Engine Parts List	7
Cylinder Head Parts Diagram	9
Cylinder Head Parts List	10
Carburetor Parts Diagram	11
Carburetor Parts List	12
Fuel Tank Parts Diagram	13
Fuel Tank Parts List	14
Control Panel Parts Diagram	15
Control Panel Parts List	16
Base Parts Diagram	17
Base Parts List	18
Wiring Diagram	19

INVERTER GENERATOR PARTS DIAGRAM

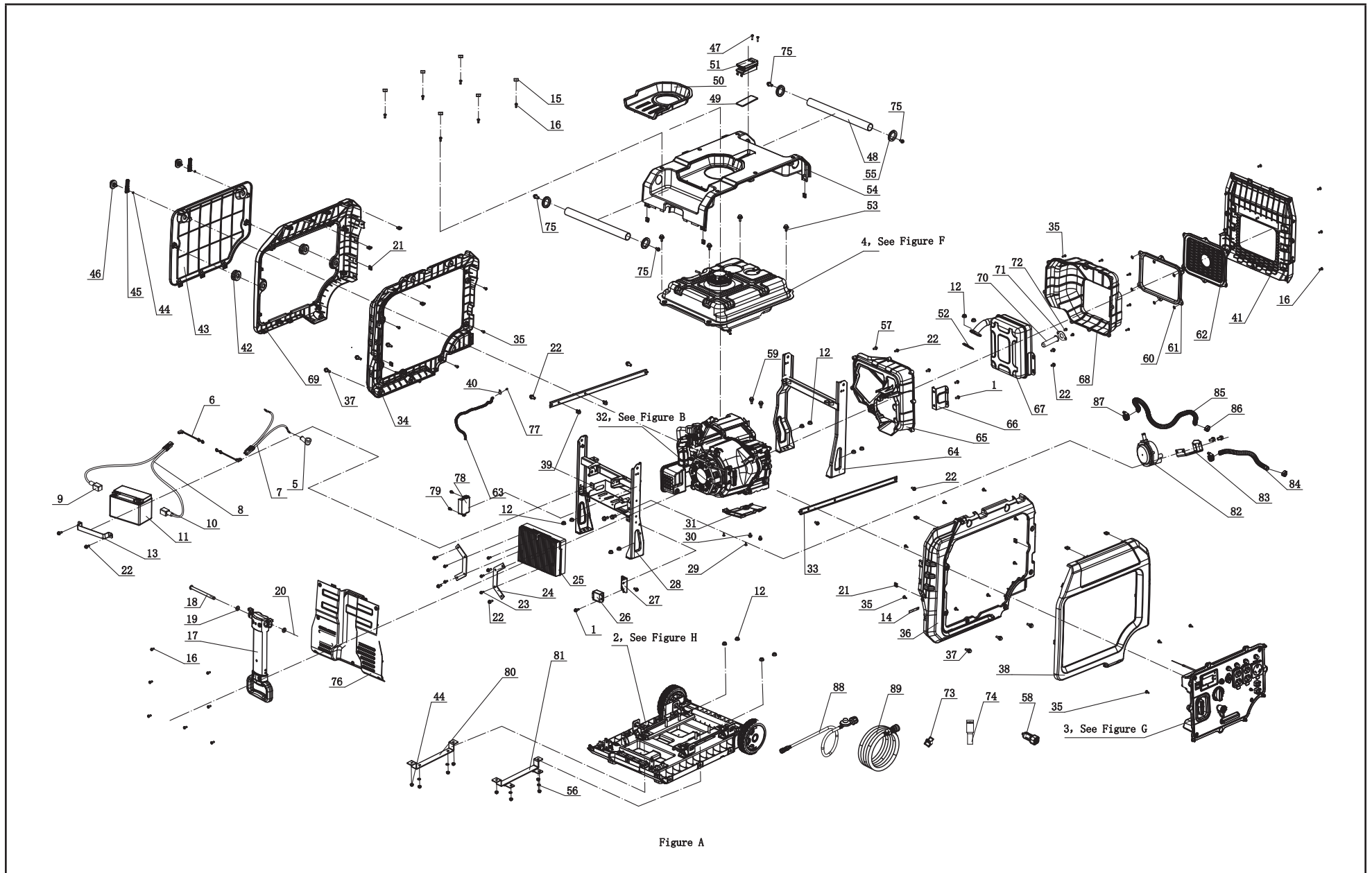


Figure A

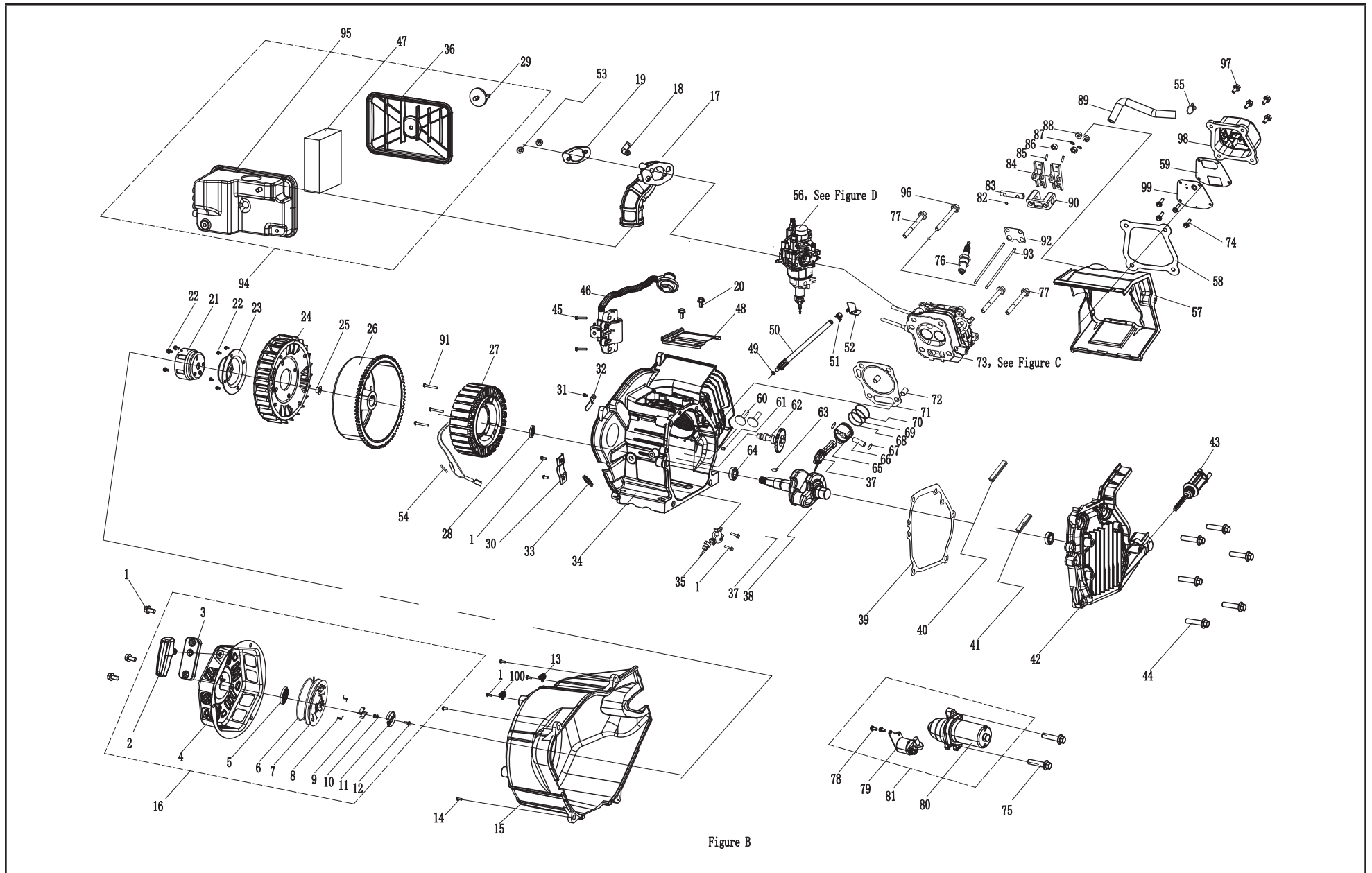
INVERTER GENERATOR PARTS LIST

#	Part Number	Description	Qty.
1	1.5789.0615	Flange Bolt M6 x 15	3
2	63.200600.01	Base Setting Component Assembly, See Figure H	1
3	63.210000.15	Control Panel Assembly, See Figure G	1
4	63.070000.01	Fuel Tank Assembly, See Figure F	1
5	152.200013.02.3	Sheath, Rubber, Red	1
6	152.200013.03	Sleeve, Connector	2
7	5.1900.139	Motor SAE Wire	1
8	5.1900.137	Battery SAE Wire	1
9	122.200013.04.3	Sheath, Rubber, Red	1
10	122.200013.04	Sheath, Rubber, Black	1
11	9.1000.090	Battery, 9AH	1
12	1.6177.1.08	Lock Nut M8, Flange	14
13	63.200902.00	Pinch	1
14	2.05.050	Clamp, Wire, 100	3
15	63.200503.00	Cover, Connect Port	6
16	1.818.0514.1	Screw M5x14	22
17	63.200700.00	Handle Assembly	1
18	63.200509.00	Handle, Pin	1
19	2.03.073	Bushing	2
20	2.16.006	Cotter Pin (Ø2x20)	1
21	2.02.010	Cage Nut M5	20
22	1.5789.0612	Flange Bolt M6 x 12	20
23	1.5789.0512	Flange Bolt M5 x 12	5
24	63.220004.00	Holder, Control Unit	2
25	63.221000.06	Control Unit, 4.0KW, 120V/60Hz, Wireless Parallel	1
26	5.1800.011	Rectifier	1
27	63.200018.01	Support Arm	1
28	63.201100.04	Supporter, Left	1

#	Part Number	Description	Qty.
29	1.845.3595	Screw, ST3.5 x 9.5	2
30	1.5789.0610	Flange Bolt M6 x 10	2
31	63.080600.01	Protector Assembly, Lower	1
32	63.692	Engine, 224 cc, See Figure B	1
33	63.201600.03	Supporter, Fuel Tank	2
34	63.200401.03	Supporter, Rear Cover, CSA, Black	1
35	1.845.4216	Screw, ST4.2 x 16	29
36	63.200101.03	Supporter, Front Cover, CSA, Black	1
37	2.08.075.1	Bolt M6 x 20	6
38	63.200101.02	Front Cover, CSA	1
39	2.05.001	Clamp, Ø8 x 6.5	2
40	2.06.006	Clamp, Ø7 x Ø1	1
41	63.200302.01	Cover, Right Side, CSA, Black	1
42	63.200103.00	Rubber Sleeve	2
43	63.200402.05	Protector, Rear Cover	1
44	1.6177.1.06	Lock Nut M6, Flange	10
45	63.200410.01	Cover, Rotary Knob	2
46	63.200410.00	Rotary Knob, Protector, Rear Cover	2
47	1.823.0325	Screw M3x25	2
48	63.200700.02	Handle	2
49	63.213004.02	Rubber Pad	1
50	63.200502.00	Spillway, Fuel Tank	1
51	63.214000.00	Indicator Light Assembly, Fuel Tank	1
52	26.100001.00	Gasket, Exhaust	1
53	2.08.179.1	Flange Bolt M6 x 25	4
54	63.200500.01	Cover, Top, CSA, Black	1
55	63.200102.00	Rubber Sleeve	4
56	1.97.1.06	Washer Ø6	4
57	2.08.102	Screw M6x13	1
58	9.1700.014	Plug, USB 5V/2.4A CPEUSB02	1

#	Part Number	Description	Qty.
59	2.08.168	Bolt	2
60	2.03.069	Retaining Ring, M5	6
61	63.200304.00	Rubber Seal, Muffler Cover	1
62	63.200303.01	Muffler Cover,CSA	1
63	63.070014.02	Pipe, Fuel Tank To Air Cleaner	1
64	63.201100.02	Supporter, Right	1
65	63.081100.00	Muffler Protector Assembly, Front	1
66	63.101005.00	Supporter, Muffler Assembly	1
67	63.101000.00.2	Muffler Assembly	1
68	63.081200.00	Muffler Protector Assembly, Rear	1
69	63.200401.02	Supporter, Rear Cover,CSA,Black	1
70	46.101300.08	Spark Arrester Assembly	1
71	46.101503.08	Plate, Spark Arrester	1
72	1.9074.13.0514	Screw/Washer Assembly M5 x 10	2
73	152.250501.00	Connect, NG Hose	1
74	9.1130.000.1	Wrench,10,Black	1
75	1.16674.0812	Flange Bolt M8 x 12	4
76	63.200200.01	Cover, Left,CSA	1
77	24.070030.00	Hole, Breather Tube	1
78	5.1830.022	Module,CO Shutdown	1
79	1.16674.0516	Bolt M5 x 16	2
80	63.202400.01	Transportation Support 2	1
81	63.202400.00	Transportation Support 1	1
82	63.136000.00	Regulator	1
83	63.200018.02	Supporter,Regulator	1
84	63.070012.02	Pipe,3/8,360	1
85	63.070012.03	Pipe,3/8,350	1
86	2.06.032	Clamp, Oil Hose	2
87	2.06.023	Hose Clamp Ø20	2
88	122.070012.20	LPG Hose With Regulator 6.56 ft.	1
89	152.070012.23	NG Hose 25 ft.	1

ENGINE PARTS DIAGRAM



ENGINE PARTS LIST

#	Part Number	Description	Qty.
1	1.5789.0612	Flange Bolt M6 x 12	9
2	62.061300.00	Handle, Recoil, Soft	1
3	63.061200.00	Handle guide plate	1
4	83.061100.01.1	Cover, Recoil Starter, Black	1
5	21.061005.00	Spring, Recoil Starter	1
6	2.10.001.1	Rope Ø4x1570, Black	1
7	21.061001.01	Reel, Recoil Starter	1
8	45.060003.00	Spring, Ratchet	2
9	45.060002.00	Starter Ratchet, Steel	2
10	45.060009.00	Spring Guide, Ratchet	1
11	45.060007.00	Ratchet Guide	1
12	45.060008.00	Screw, Ratchet Guide	1
13	2.05.050	Clamp, Wire, 100	1
14	1.5789.0620	Flange Bolt M6 x 20	4
15	63.080100.01	Fan Cover	1
16	63.061000.00	Recoil Assembly	1
17	63.090004.02	Air Cleaner Tube	1
18	63.090003.00	Joint, Breather Pipe	1
19	63.090005.00	Pinch, Air Cleaner Tube	1
20	1.5789.0610	Flange Bolt M6 x 10	2
21	63.060001.00	Pulley, Starter	1
22	1.16674.0616	Flange Bolt M6 x 16	7
23	182.060002.00	Connecting Base	1
24	63.080001.00	Cooling Fan	1
25	2.02.006	Nut M14 x 1.5	1
26	63.191100.00	Rotor	1
27	63.191200.05	Stator Component	1
28	2.11.001	Oil Seal Ø25 x Ø41.3 x 6	1
29	62.200410.00	Rotary Knob, Protector, Rear Cover	1
30	182.030006.00	Pinch	1

#	Part Number	Description	Qty.
31	1.5789.0608	Flange Bolt M6 x 08	1
32	63.030006.01	Pinch	1
33	63.030032.00	Sheath, Wire	1
34	63.030100.00.1	Crankcase	1
35	21.127000.02	Oil Level Sensor	1
36	63.091200.00	Cover, Air Cleaner	1
37	27.050200.00	Connecting Rod	1
38	27.050100.04	Crankshaft	1
39	24.030008.00	Gasket, Crankcase Cover	1
40	27.030013.00	Seal Strip, Crankcase Cover, Long	1
41	27.030013.01	Seal Strip, Crankcase Cover, Short	1
42	63.030007.00	Cover, Crankcase	1
43	63.031000.00.2	Oil Dipstick Assembly	1
44	1.5789.0832	Flange Bolt M8 x 32	6
45	2.08.182	Flange Bolt M6 x 20	2
46	63.123000.01	Ignition Coil, Silicon Rubber	1
47	63.091003.00	Element, Air Cleaner	1
48	63.080300.00	Air Guide	1
49	2.03.016	Washer Ø10 x Ø16 x 1.5, Drain Bolt	1
50	83.032000.00	Hose, Oil Drain	1
51	2.06.013	Clamp	1
52	45.030200.00	Support	1
53	1.6177.06	Flange Nut M6	2
54	5.1280.011	Fuse, 15A	1
55	2.06.065	Clamp, Ø13.5 x Ø1	1
56	63.130000.04	Carburetor Assembly, See Figure D	1
57	63.080200.00	Air Shroud, Cylinder	1
58	85.020002.00	Gasket, Cylinder Head Cover	1
59	85.030022.00	Gasket, Ventilation Chamber Cover	1
60	25.040013.00	Lifter, Valve	2

#	Part Number	Description	Qty.
61	2.04.001	Dowel Pin Ø9 x 14	2
62	27.041000.01	Camshaft	1
63	2.14.012	Woodruff Key 4 x 7.5 x 19	1
64	1.276.6205.9	Bearing 6205	2
65	27.050005.00	Piston	1
66	23.050003.00	Pin, Piston	1
67	2.09.001	Circlip Ø18 x Ø1	2
68	27.050303.00	Ring, Oil	1
69	27.050302.00	Ring, Second Piston	1
70	27.050301.00	Ring, First Piston	1
71	27.030009.01	Gasket, Cylinder Head	1
72	2.04.003	Dowel Pin Ø10 x 14	2
73	63.010000.01	Cylinder Head Assembly, See Figure C	1
74	1.16674.0512.2	Flange Bolt M5 x 12	4
75	1.5789.0625	Flange Bolt M6 x 25	2
76	2.15.008(F7RTC)	Spark Plug F7RTC	1
77	1.5789.0865	Flange Bolt M8 x 65	3
78	1.823.0512	Screw M5 x 12	2
79	63.125200.01	Relay, Starter	1
80	63.125100.00	Starter Motor	1
81	63.125000.01	Starter Motor Assembly	1
82	21.040008.00	Rotator, Exhaust Valve	1
83	24.040202.00	Shaft, Rocker Arm	1
84	22.040009.00	Rocker Arm	2
85	22.040012.00	Screw, Valve Adjustment	2
86	21.040021.00	Nut M6 x 0.5, Lock	2
87	1.97.1.06	Washer Ø6	2
88	1.6177.1.06	Lock Nut M6, Flange	2
89	23.020001.03	Breather Tube	1
90	24.040201.00	Retainer, Rocker Arm	1
91	1.5789.0655	Flange Bolt M6 x 55	3
92	24.040004.00	Guide Plate, Push Rod	1

#	Part Number	Description	Qty.
93	27.040005.00	Push Rod	2
94	63.091000.00	Air Cleaner Assembly	1
95	63.091100.00	Base, Air Cleaner	1
96	2.08.121	Flange Bolt M10 x 65	1
97	1.5789.0615	Flange Bolt M6 x 15	4
98	85.021101.00	Cover, Cylinder Head	1
99	85.030300.00	Ventilation Chamber Cover Assembly	1
100	2.05.049	Clamp, Wire, 200	1

CYLINDER HEAD PARTS DIAGRAM

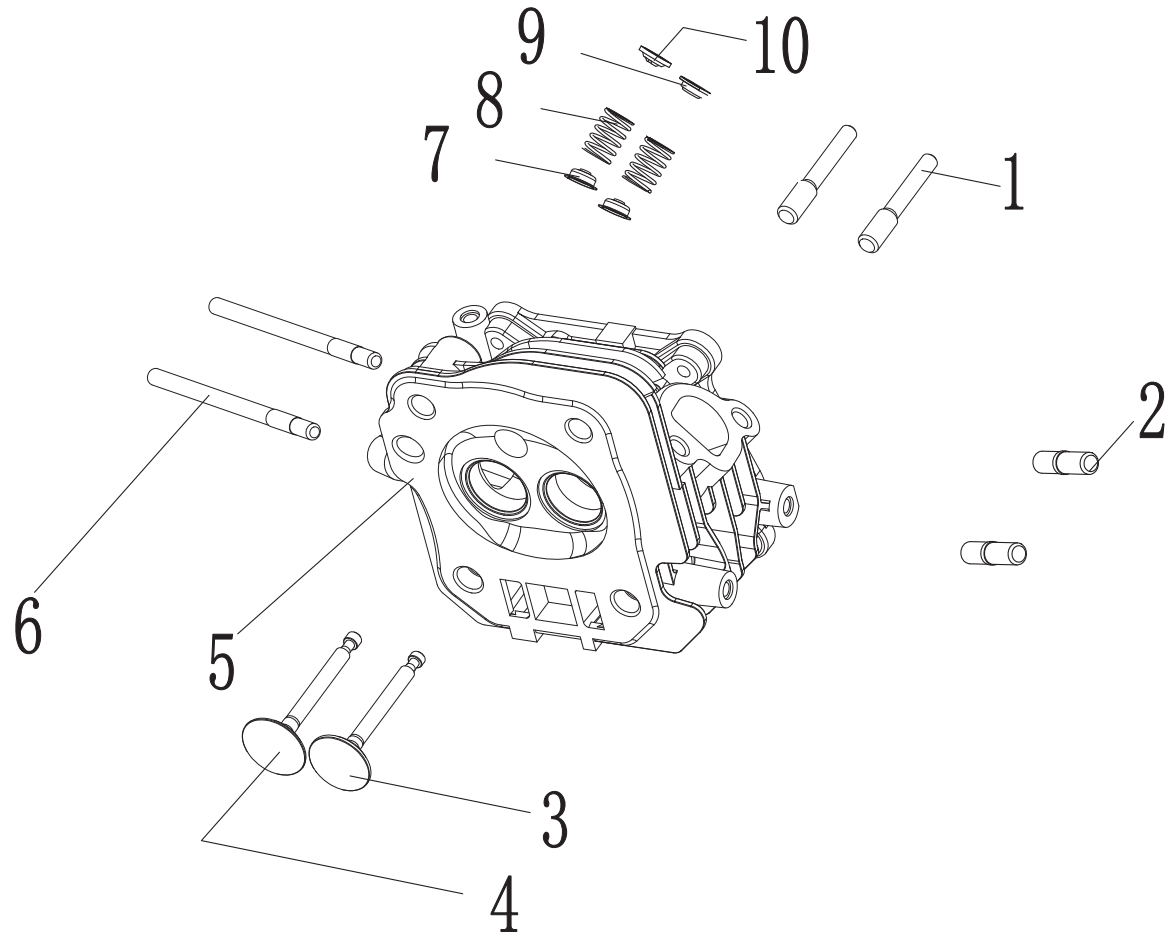


Figure C

CYLINDER HEAD PARTS LIST

#	Part Number	Description	Qty.
1	23.040010.00	Rocker Arm Bolt	2
2	2.01.010	Stud Bolt M8 x 35	2
3	27.040006.00	Exhaust Valve	1
4	23.040002.02	Intake Valve	1
5	26.010100.02	Cylinder Head, 224cc	1
6	2.01.049	Stud Bolt M6 x 99	2
7	23.040017.00	Oil Seal, Valve, Steel	2
8	21.040003.00	Valve Spring	2
9	21.040007.00	Retainer, Exhaust Valve Spring	1
10	21.040001.00	Retainer, Intake Valve Spring	1

CARBURETOR PARTS DIAGRAM

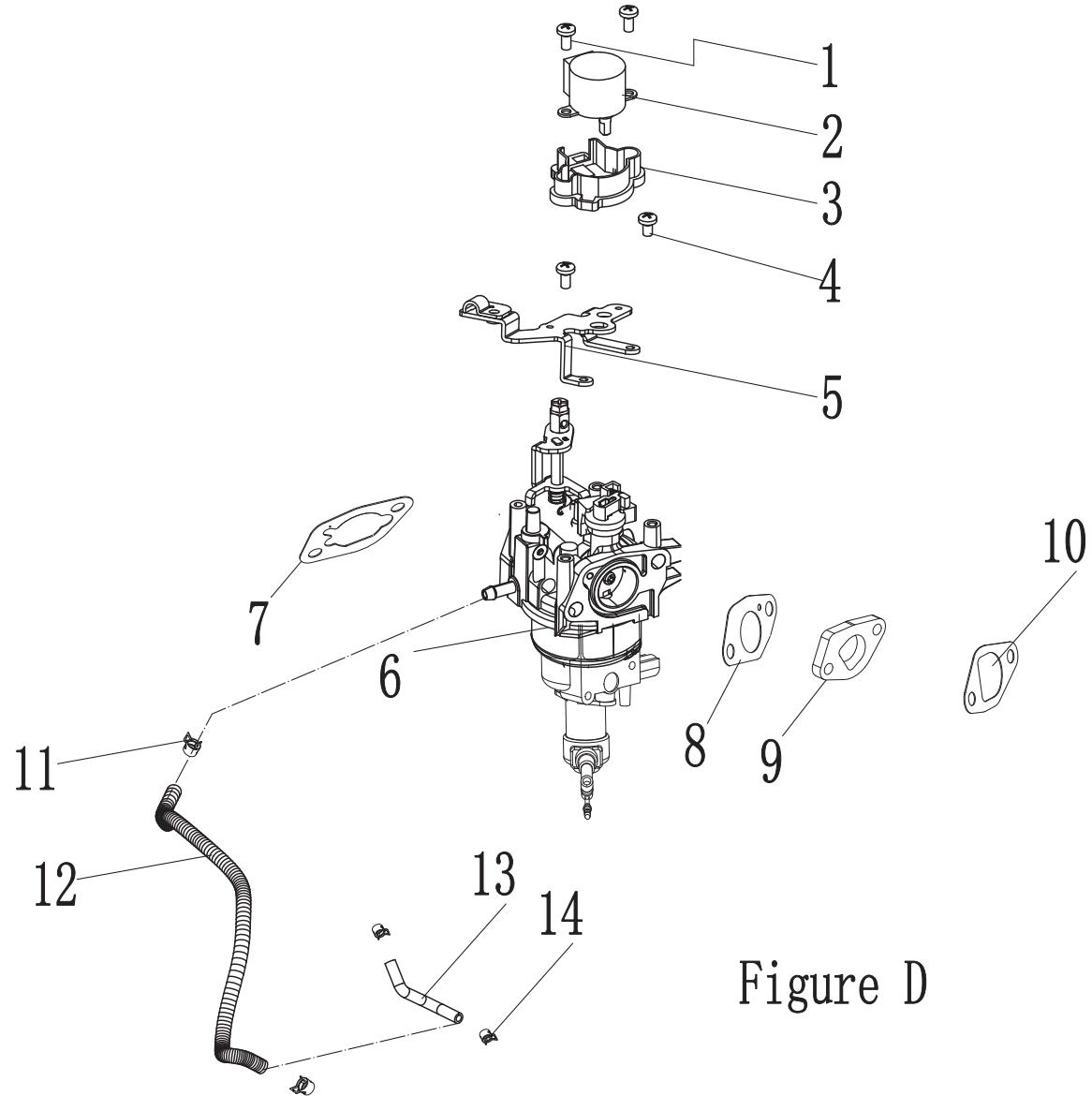


Figure D

CARBURETOR PARTS LIST

#	Part Number	Description	Qty.
1	1.823.0408.1	Screw M4 x 8	2
2	62.132200.00	Stepper Motor	1
3	85.132100.04	Support, Stepper Motor	1
4	1.9074.3.0408	Screw M4 x 8	4
5	63.130005.00	Support, Stepper Motor	1
6	63.131000.04	Carburetor	1
7	24.130004.20	Gasket, Air Cleaner	1
8	22.130003.00	Gasket, Carburetor	1
9	63.130001.00	Insulator, Carburetor	1
10	24.130002.00	Gasket, Insulator	1
11	2.06.007	Clamp, Ø8.2 x b8	3
12	63.070011.03	Fuel Pipe, Fuel Valve To Carburetor	1
13	63.070011.02	Fuel Pipe, Fuel Tank To Fuel Valve	1
14	2.06.016	Clamp, Ø8.8 x b8	1

FUEL TANK PARTS DIAGRAM

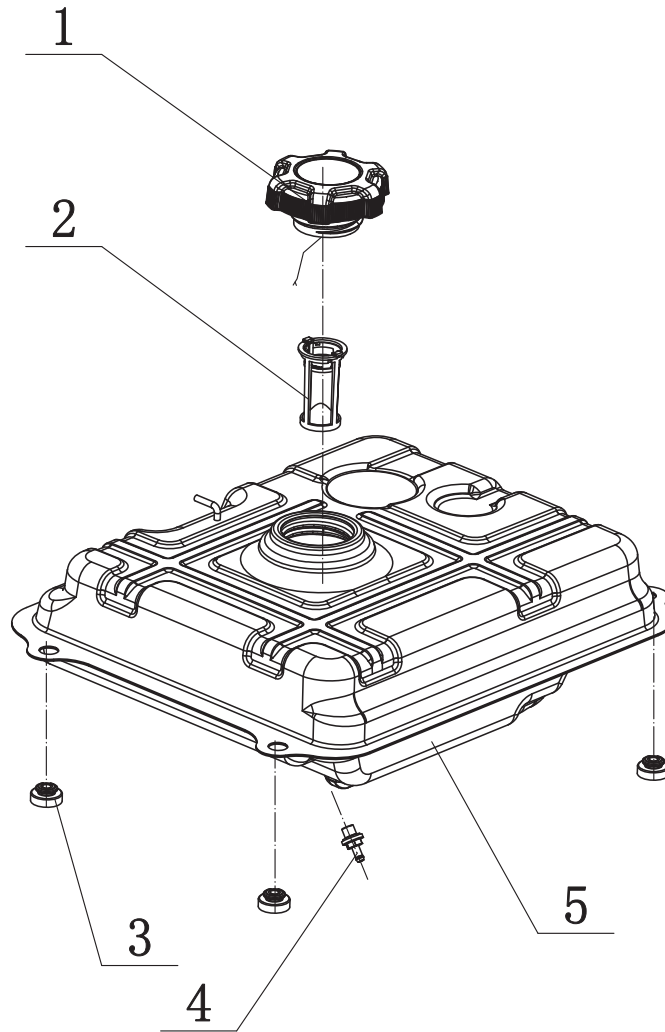


Figure F

FUEL TANK PARTS LIST

#	Part Number	Description	Qty.
1	122.070100.09	Fuel Tank Cap	1
2	63.070300.00	Fuel Filter	1
3	63.070015.00	Mount Vibration, Fuel Tank	4
4	21.070600.03	Fuel Tank Drain Fitting	1
5	63.071000.01.1	Fuel Tank	1

CONTROL PANEL PARTS DIAGRAM

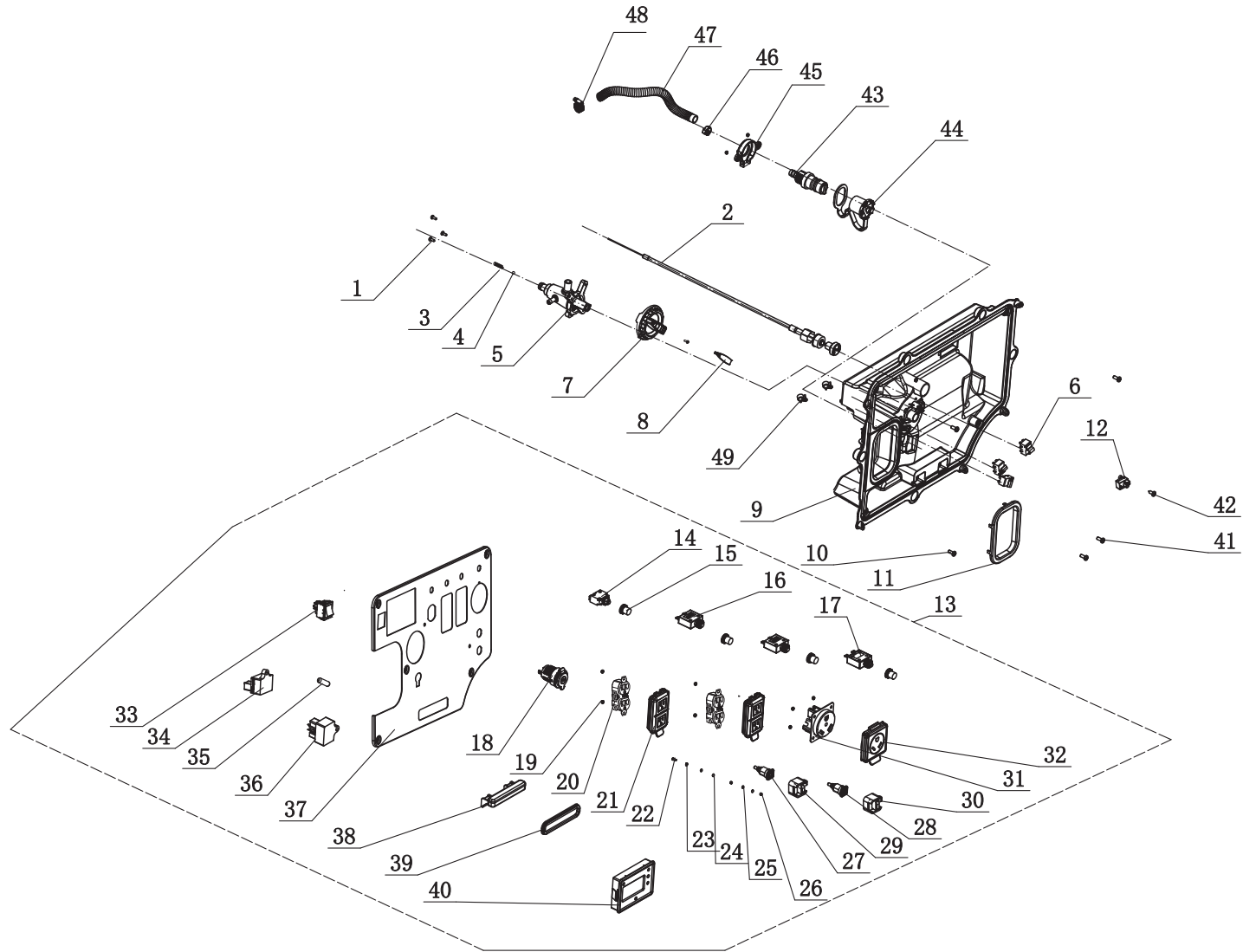


Figure G

CONTROL PANEL PARTS LIST

#	Part Number	Description	Qty.
1	1.823.0412.1	Screw M4×12	5
2	63.130200.01	Pull Choke Assembly	1
3	62.139007.00	Spring, Steel Ball	1
4	1.308.7	Ball Bearing, Rotary Knob	1
5	122.070400.10	Fuel Valve	1
6	5.1050.006	Microswitch	3
7	63.139001.01	Rotary Knob	1
8	62.139002.00.48	Cover, Rotary Knob	1
9	63.210002.04	Control Box, CSA	1
10	1.9074.4.0512.1	Screw/Washer Assembly M5 x 12, Black	5
11	63.200106.00	Protector, Front Cover	1
12	5.1820.012	Charger	1
13	201534.21	Control Panel Assembly	1
14	5.1200.908	8 Amp Circuit Breaker, Push Button	1
15	5.1870.014	Circuit Breaker Cover, Push Button	4
16	5.1210.920	20 Amp Circuit Breaker, Push Button	2
17	5.1210.930	30 Amp Circuit Breaker, Push Button	1
18	5.1110.005	Receptacle, DC.12V	1
19	1.6177.1.04.1	Lock Nut M4, Flange	12
20	5.1120.027	Receptacle 5-20R, Duplex, CSA	2
21	5.1870.025	Receptacle Cover, Receptacle 5-20R, Duplex	2
22	1.5783.0520.1	Bolt M5 x 20, Black	1
23	1.862.05	Lock Washer Ø5, Toothed	1
24	1.93.05.1	Lock Washer Ø5, Black	2
25	1.97.1.05.1	Washer Ø5, Black	2
26	1.6170.05.1	Nut M5	2
27	83.210001.01.1	Connect Port, Black	1
28	83.210001.01.3	Connect Port, Red	1
29	5.1870.032	Cover, Connect Port, 125V/25A, Black	1
30	5.1870.032.3	Cover, Connect Port, 125V/25A, Red	1

#	Part Number	Description	Qty.
31	5.1120.036	Receptacle TT-30	1
32	5.1870.021	Receptacle Cover, Receptacle 14-50R	1
33	5.1000.005.3	Switch	1
34	5.1820.022	Charger	1
35	5.1280.009	Fuse, 10A	1
36	5.1830.027	Module, Indicator Light	1
37	63.019.15.45	Control Panel	1
38	63.214000.01	Indicator Light Assembly, Control Panel	1
39	63.213004.00	Indicator Light Assembly Cover	1
40	63.210017.04	Multifunction Display(2N)	1
41	1.818.0514.1	Screw M5×14	2
42	1.845.4216	Screw, ST4.2 x 16	1
43	63.136010.01	Inlet Connection 1-2	1
44	63.200102.02	Circular Rubber Sheath	1
45	63.070037.01	Support, Inlet Connection	1
46	2.06.032	Clamp, Oil Hose	1
47	63.070012.01	Pipe, 3/8, 220	1
48	2.06.023	Hose Clamp Ø20	1
49	2.05.009	Clamp, Ø12.5 x 7	2

BASE PARTS DIAGRAM

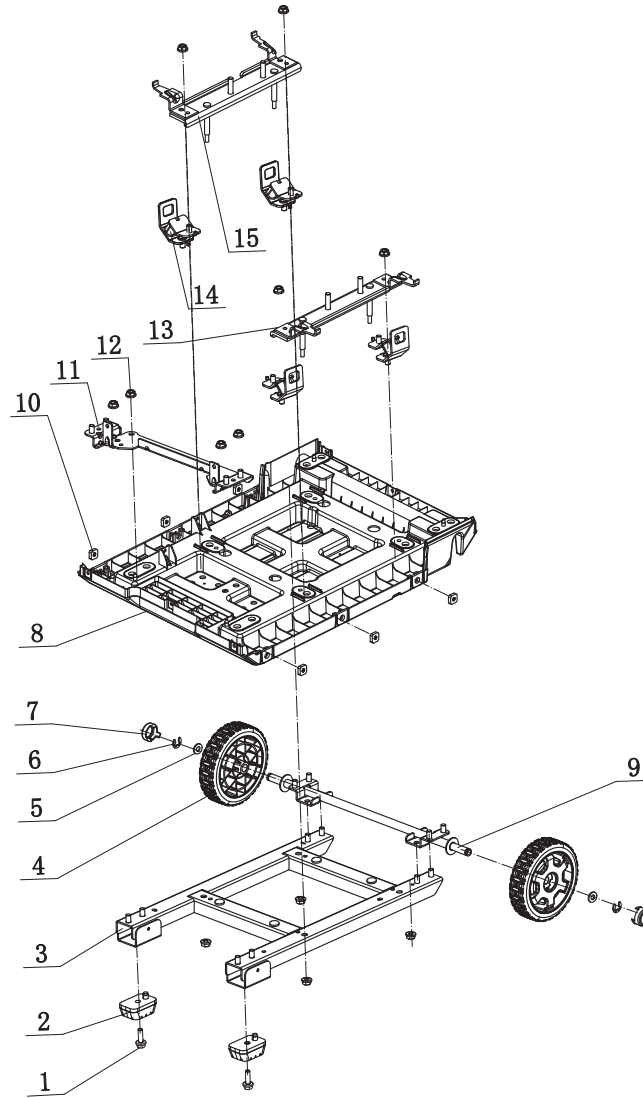


Figure H

BASE PARTS LIST

#	Part Number	Description	Qty.
1	1.5789.0615	Flange Bolt M6 x 15	2
2	63.201400.00	Rubber Pad	2
3	63.201100.00	Base Setting Component	1
4	83.201701.03.48	5.5 in. Wheel, Yellow	2
5	1.848.12	Washer Ø12	2
6	1.894.1.12	Retaining Ring, Ø12	2
7	83.201702.03.48	Plug, Wheel, Yellow	2
8	63.200601.01	Base Setting, CSA	1
9	63.201500.00	Axle	1
10	2.02.014	Nut M6, Square	6
11	63.201600.02	Supporter	1
12	1.6177.1.08	Lock Nut M8, Flange	12
13	63.201600.00	Supporter, Right	1
14	63.201200.00	Motor Mount	4
15	63.201600.01	Supporter, Left	1

