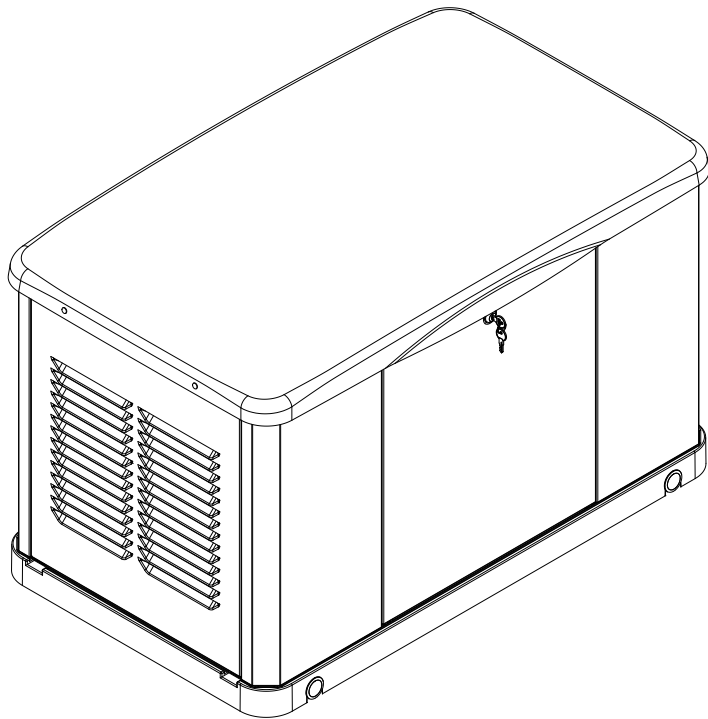


Champion Power Equipment, Inc.

MODEL #201391



PARTS INFORMATION

10-kW HOME STANDBY GENERATOR WITH fleX CONTROLLER™

SERIAL NUMBER RANGE: ALL



To order replacement parts please visit:
shop.championpowerequipment.com
or call **1-877-338-0999**.

TABLE OF CONTENTS

Generator Parts Diagram	3
Generator Parts List	4
Engine Parts Diagram	5
Engine Parts List	6
Cylinder Head Parts Diagram	8
Cylinder Head Parts List	9
Muffler Parts Diagram	10
Muffler Parts List	11
Alternator Parts Diagram	12
Alternator Parts List	13
Mounting Plate Assembly Parts Diagram	14
Mounting Plate Assembly Parts List	15
Frame Assembly Parts Diagram	16
Frame Assembly Parts List	17
Outlet Panel Parts Diagram	18
Outlet Panel Parts List	19
Appearance Component Parts Diagram	20
Appearance Component Parts List	21
Wiring Diagram	22

GENERATOR PARTS DIAGRAM

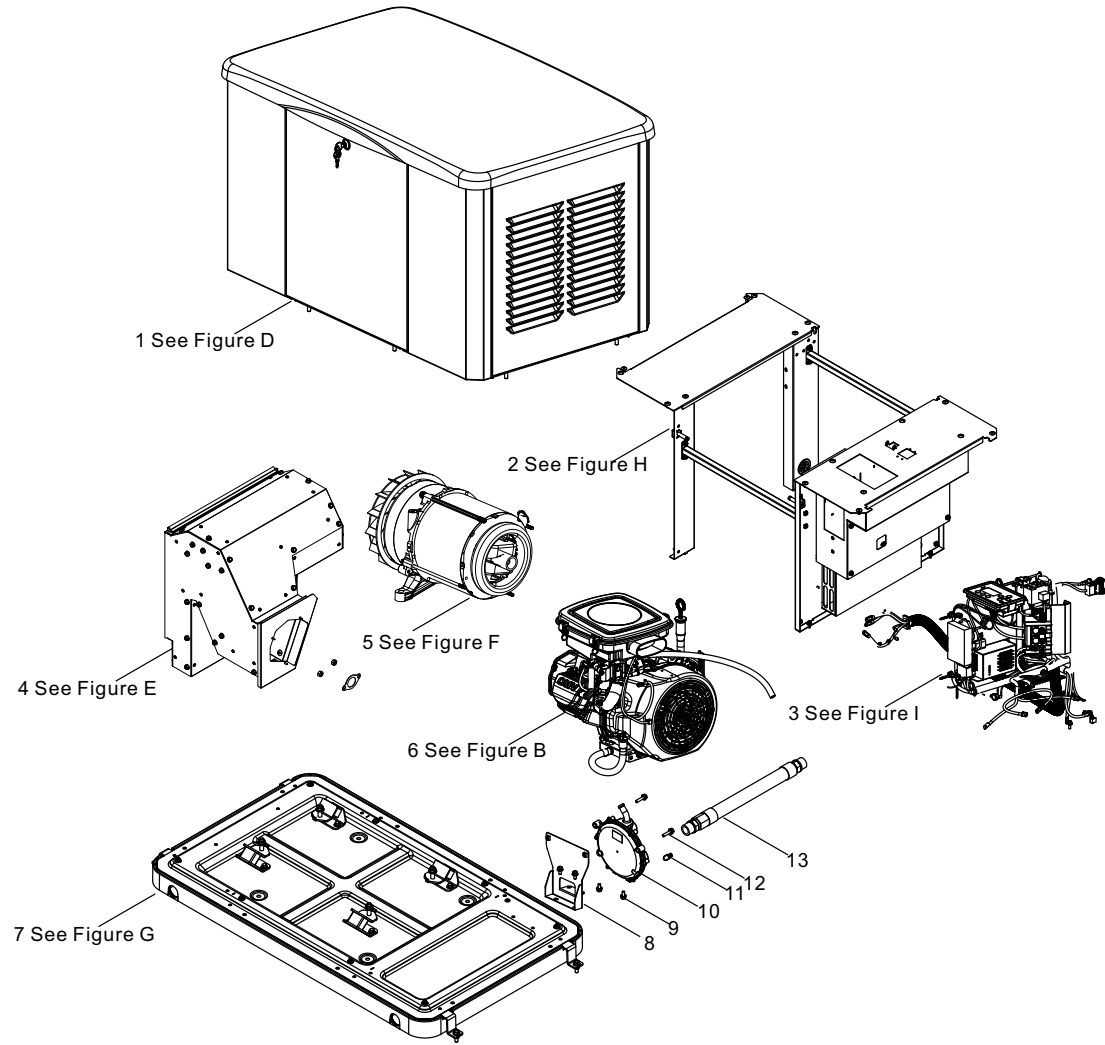


Figure A

GENERATOR PARTS LIST

#	Part Number	Description	Qty.
1	96132-Y80094-0002	Appearance Component - See Figure D	1
2	96103-Y51100-0045	Frame Assembly - See Figure H	1
3	96119-Y35610-0006	Panel Assembly - See Figure I	1
4	96117-Y18100-0006	Muffler Assembly - See Figure E	1
5	96114-Y31300-0029	Alternator Assembly - See Figure F	1
6	96100-500DV3FH-02	Engine Assembly 500cc - See Figure B	1
7	96103-Y51100-0046	Base plate Assembly - See Figure G	1
8	77002-000003	Gas Pressure Regulator Mounting Bracket	1
9	90022-000002	Hex Flange Button Head Bolt, M6 x 12, Dacromet	4
10	77100-000018	Gas Pressure Regulator	1
11	90748-000003	Clamp, Ø12 - 22	1
12	90022-000003	Hex Flange Button Head Bolt, M6 x 25, Dacromet	2
13	90729-000019	Gas Inlet Flex Hose	1

ENGINE PARTS DIAGRAM

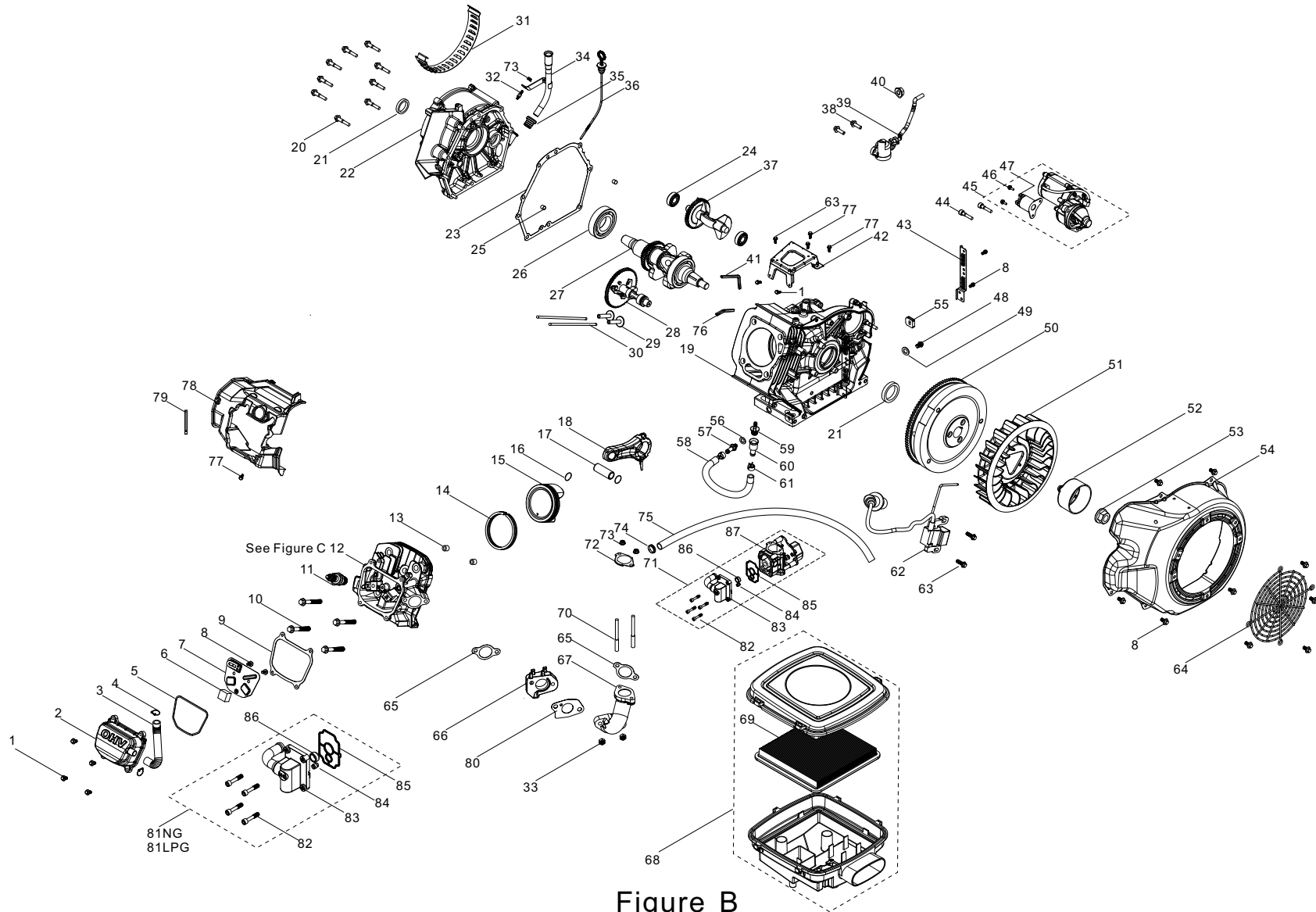


Figure B

ENGINE PARTS LIST

#	Part Number	Description	Qty.
1	90007-000045	Hex Flange Bolt, M6 x 25, Dacromet	6
2	12410-000003	Cylinder Head Cover	1
3	17004-000030	Breather Tube, Ø11 x Ø15	1
4	90685-000022	Clamp, Ø21 x 1.3 x 12	2
5	11332-000002	Valve Cover Gasket	1
6	11331-000002	Breather Oil Strainer	1
7	11320-000001	Breather Plate	1
8	90007-000007	Hex Flange Bolt, M6 x 12, Dacromet	13
9	12004-000020	Cylinder Head Cover Gasket	1
10	12003-000011	Cylinder Head Bolt, M12 x 1.5 x 90, Dacromet	4
11	30010-000008	Spark Plug, RC12YC, M14 x 1.25 x75	1
12	96101-Z120410-0037	Cylinder Head Assembly - See Figure C	1
13	90502-000009	Pin, 12.5 x 14 x 15	2
14	13200-000019	Piston Ring Assembly, Ø94, 1.2 x 1.2 x 2.5	1
15	13111-000024	Piston, Ø94	1
16	13122-000002	Piston Pin Clip, Ø20.5 x Ø1	2
17	13121-000003	Piston Pin, Ø20 x Ø13 x 55.1	1
18	13010-000002	Connecting Rod, Ø38.5 x Ø20 x 113.3	1
19	11310-000042	Crankcase Assembly	1
20	90007-000022	Hex Flange Bolt, M8 x 40, Dacromet	9
21	90682-000014	Oil Seal, Ø40 x Ø52 x 9	2
22	11411-000030	Crankcase Cover	1
23	11001-000016	Crankcase Gasket	1
24	90547-000019	Bearing, 6202	2
25	90502-000002	Pin, 8 x 12	2
26	90547-000013	Bearing, 6208	1
27	13300-000046	Crankshaft Assembly	1
28	14200-000033	Camshaft Components	1
29	14081-000003	Valve Tappet, Ø26 x Ø9 x 40.5 x SR3	2

#	Part Number	Description	Qty.
30	14070-000007	Push Rod, Ø3 x Ø7 x 191	2
31	30024-000003	Vent, Engine Fan	1
32	37057-000002	Stud, Oil Sensor	1
33	90305-000012	Type 1 Hex Nut, M8, Dacromet	2
34	15020-000002	Oil Filler Pipe	1
35	15014-000003	Oil Dipstick Seal Plug, Ø20 x Ø36	1
36	15010-000030	Oil Dipstick Assembly	1
37	13400-000002	Balancing Shaft	1
38	90007-000011	Hex Flange Bolt, M6 x 16, Dacromet	2
39	37060-000018	Engine oil Sensor	1
40	90305-000014	Hex Flange Nut, M6, White Zn	1
41	51198-000019	Sealing Strip, L=108	1
42	17003-000016	Air Cleaner Support	1
43	31303-000011	Terminal Block, Dacromet	1
44	90102-000013	Inside Hex Bolt, M8 x 35, Dacromet	2
45	09100-000007	Starter Motor	1
46	90001-000006	Hex Flange Bolt, M5 x 14, White Zn	2
47	30500-000008	Starter Relay	1
48	11007-000003	Drain Plug Bolt, M12 x 1.5 x 18, Dacromet	1
49	90412-000003	Washer, Ø12 x Ø21 x 2	1
50	13510-000029	Flywheel Assembly	1
51	19352-000023	Cooling Fan, Engine	1
52	28002-000019	Starter Pulley, Ø66 x 30	1
53	13501-000004	Flywheel Nut, M16 x 1.5, White Zn	1
54	28110-000052	Cover, Cooling Fan	1
55	28101-000004	Plug, Rubber	1
56	90412-000007	Washer, Ø14.2 x Ø22.2 x 1.5	1
57	90689-000004	Fuel Tube Connector, M14 x 2	1
58	11011-000012	Oil Drain Hose Assembly, Ø13 x Ø21 x 400	1
59	15030-000001	Oil Plug Assembly, M18 x 2.5-7h	1

#	Part Number	Description	Qty.	
60	90689-000005	Fuel Tube Connector, M18 x 2.5	1	
61	90685-000018	Clamp, Ø21 x 1.3 x 12	2	
62	30400-000055	Ignition Coil	1	
63	90007-000044	Hex Flange Bolt, M6 x 20, Dacromet	4	
64	30028-000003	Air Hood Guard Plate	1	
65	17002-000003	Air Intake Gasket	2	
66	16003-000004	Carburetor Insulator Plate	1	
67	12510-000009	Intake Pipe, Ø26 x Ø31.5	1	
68	17100-000038	Air Cleaner	1	
69	17151-000018	Element, Air Cleaner	1	
70	90204-000023	Stud, M6/8 x 98, Blk Zn	2	
71	NG 16B00-000004	Mixer Assembly	1	
NG	82	90014-000002	Screw, Fuel Inlet Body Set	4
	83	16146-000001	Body Assembly, Fuel Inlet	1
	84	16165-000004	Slow Jet, #170, NG	1
	85	30214-000003	Seal Ring, NG	1
	86	16161-000115	Main Jet , #650, NG	1
	87	16141-000002	Mixer Body	1
72	17001-000017	Air Cleaner Gasket	1	
73	90305-000007	Hex Flange Nut, M6, Dacromet	3	
74	90748-000003	Clamp, Ø12 x 22	1	
75	90729-000022	Vent Hose, Ø12.7 x Ø21.7 x 600	1	
76	51198-000020	Sealing Strip, L=62	1	
77	90007-000046	Hex Flange Bolt, M6 x 14, Dacromet	3	
78	19304-000014	Cylinder Body Shroud	1	
79	90684-000001	Clip, Ø6 x 10.6 x 130	1	
80	16001-000003	Mixer Gasket	1	

#	Part Number	Description	Qty.	
81	NG 96105-Z16100-0046	Jet Block Assembly, NG	1	
NG	82	90014-000002	Screw, Fuel Inlet Body Set	4
	83	16146-000001	Body Assembly, Fuel Inlet	1
	84	16165-000004	Slow Jet, #170, NG	1
	85	30214-000003	Seal Ring, NG	1
	86	16161-000115	Main Jet , #650, NG	1
	81	LPG 96105-Z16100-0047	Jet Block Assembly, LPG	1
LPG	82	90014-000002	Screw, Fuel Inlet Body Set	4
	83	16146-000001	Body Assembly, Fuel Inlet	1
	84	16165-000005	Slow Jet, #140, LPG	1
	85	30214-000003	Seal Ring, LPG	1
	86	16161-000116	Main Jet, #430, LPG	1

CYLINDER HEAD PARTS DIAGRAM

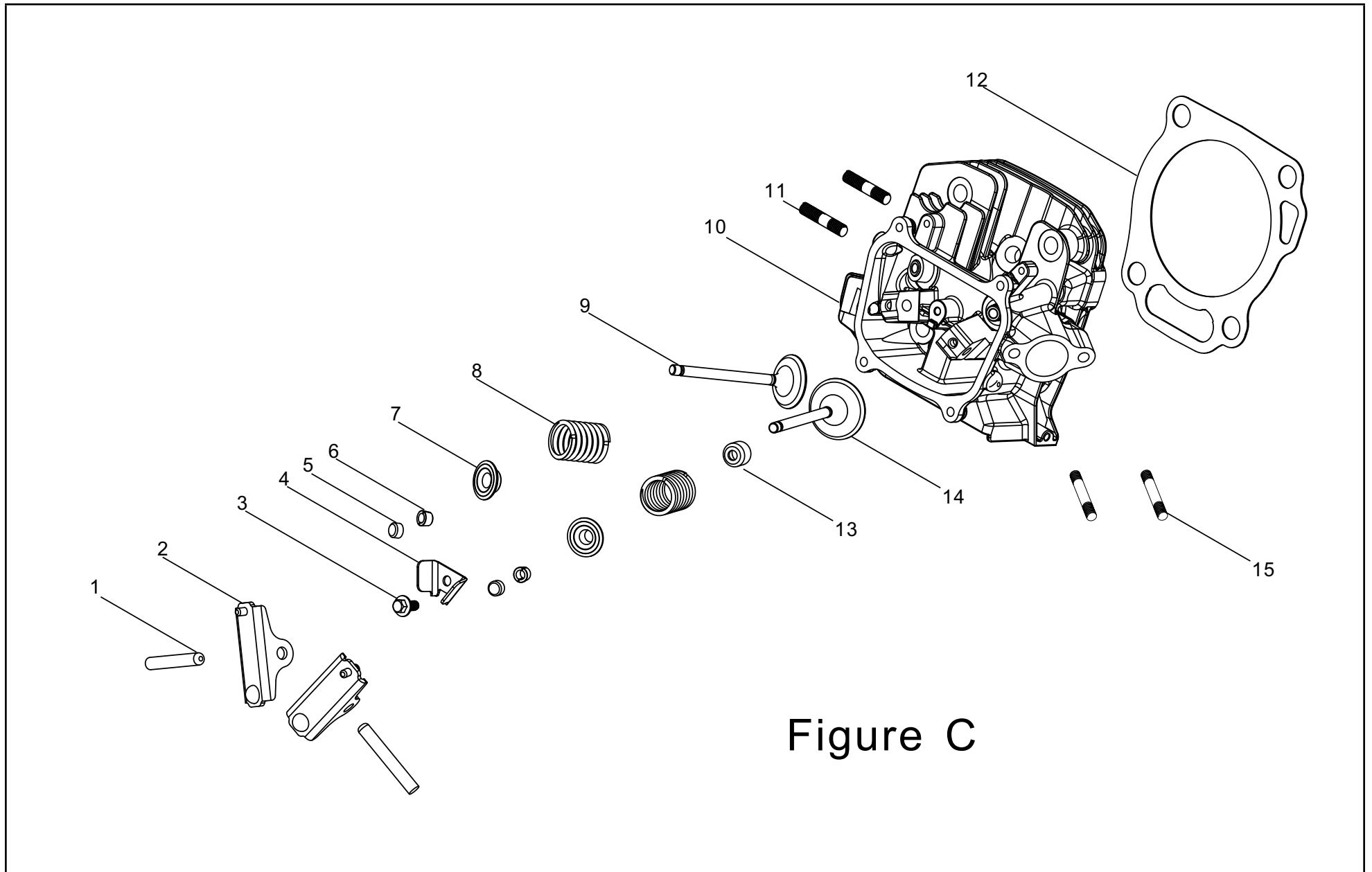


Figure C

CYLINDER HEAD PARTS LIST

#	Part Number	Description	Qty.
1	14318-000001	Rocker Arm Shaft Assembly	2
2	14310-000013	Valve Rocker Arm	2
3	90007-000007	Hex Flange Bolt, M6 x 12, Dacromet	1
4	12419-000002	Pin Limit Plate, Cylinder Head	1
5	12104-000002	Lash Cap, Valve, Ø6.7 × Ø9.5 × 6	2
6	12109-000005	Valve Lock Clamp, Ø6.6 x Ø9.6	4
7	12112-000005	Valve Spring Retainer	2
8	12103-000011	Valve Spring, Ø22.9 x Ø2.9 x 44	2
9	12121-000019	Exhaust Valve	1
10	12410-000021	Cylinder Head	1
11	90203-000001	Stud, M8 x 34, Blk Zn	2
12	12131-000020	Cylinder Head Gasket	1
13	12101-000002	Seal Guide	1
14	12111-000021	Intake Valve	1
15	90203-000006	Stud, M8 x 59, Blk Zn	2

MUFFLER PARTS DIAGRAM

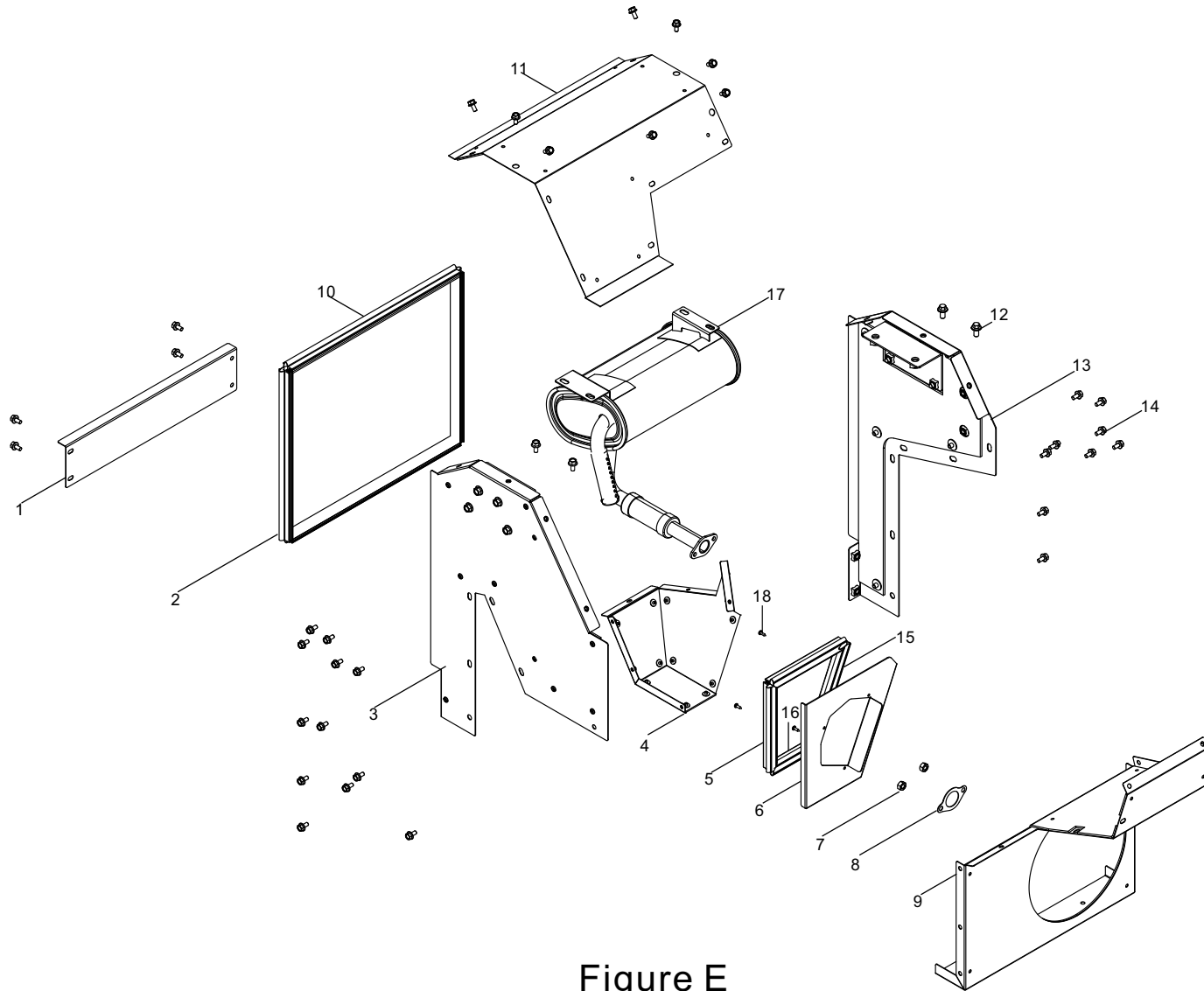


Figure E

MUFFLER PARTS LIST

#	Part Number	Description	Qty.
1	18109-000016	Muffler fairing, Side	1
2	51198-000016	Sealing Strip 1	2
3	18109-000018	Muffler fairing, Right	1
4	18109-000021	Muffler Deflector	1
5	51198-000018	Sealing Strip 2	2
6	80019-000003	Deflector	1
7	90303-000007	Type 1 Hex Nut, M8, Dacromet	2
8	18101-000003	Muffler Seal Pad	1
9	18109-000020	Muffler fairing, Bottom	1
10	51198-000017	Sealing Strip 3	2
11	18109-000017	Muffler fairing, Top	1
12	90001-000040	Hex Flange Bolt, M8 x 16, Dacromet	4
13	18109-000019	Muffler fairing, Left	1
14	90022-000002	Hex Flange Bolt with Tooth, M6 x 12, Dacromet	34
15	51198-000014	Sealing Strip 4	1
16	51198-000015	Sealing Strip 5	1
17	18100-000059	Muffler	1
18	90124-000006	Tapping Screw, PT4 x 13, Dacromet	3

ALTERNATOR PARTS DIAGRAM

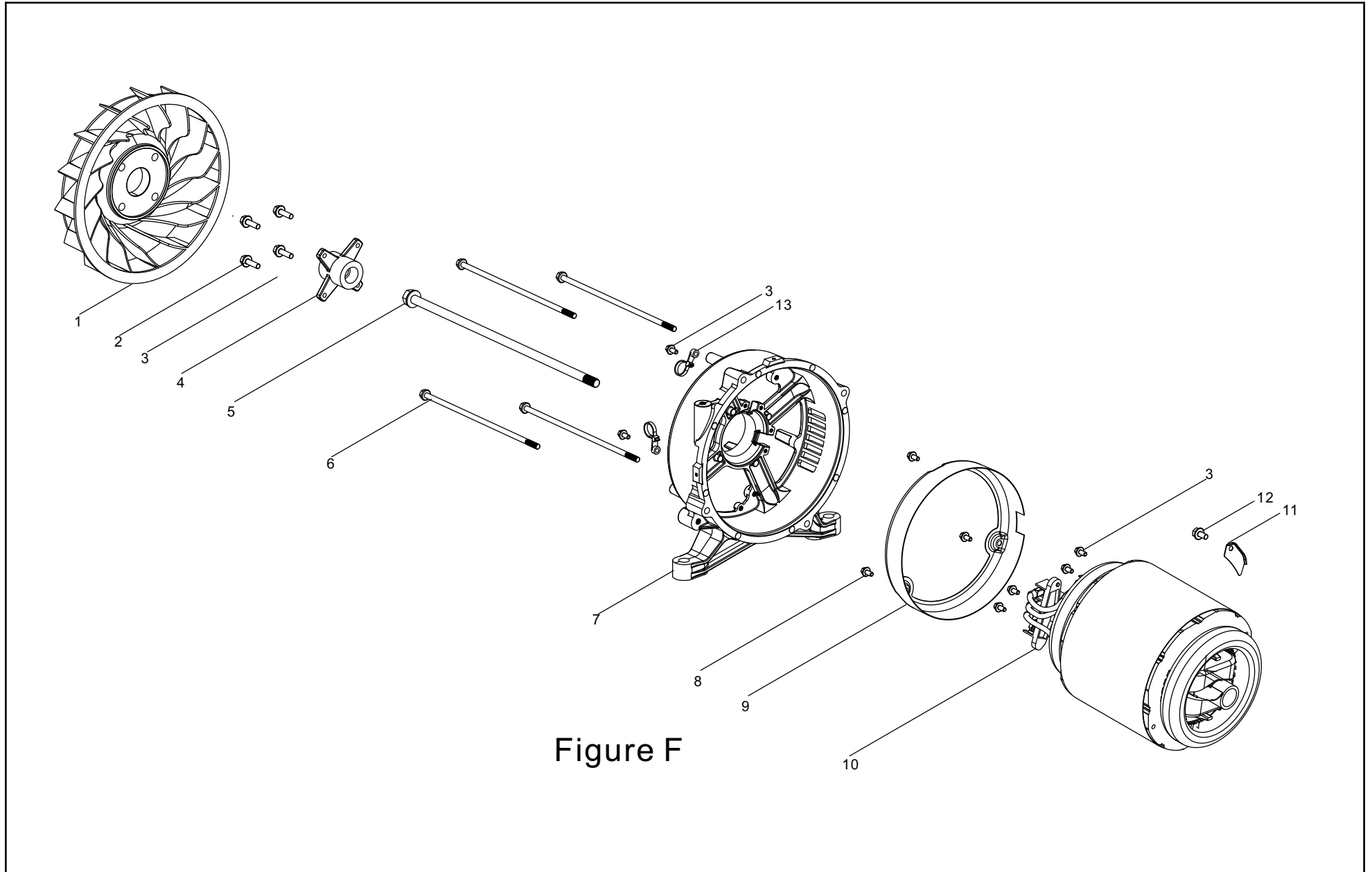


Figure F

ALTERNATOR PARTS LIST

#	Part Number	Description	Qty.
1	19352-000025	Cooling Fan, Alternator	1
2	90007-000044	Hex Flange Bolt, M6 x 20, Dacromet	4
3	90007-000043	Hex Flange Bolt, M5 x 16, Dacromet	6
4	51179-000001	Fan Hub	1
5	30049-000011	Stator Bolt, M10 x 1.25 x 335, Dacromet	1
6	30048-000010	Rotor Bolt, M6 x 199, Dacromet	4
7	30021-000009	End Housing, Ø204	1
8	90001-000075	Hex Flange Bolt, M5 x 12, Dacromet	3
9	30022-000015	Cover, End Housing	1
10	31300-000044	Alternator Assembly, Ø204 x 165	1
11	30023-000010	Stopper, Motor Right Cover, White Zn	1
12	90022-000002	Hex Flange Bolt with Tooth, M6 x 30, Dacromet	1
13	90727-000001	Band, 4 x 200	2

MOUNTING PLATE ASSEMBLY PARTS DIAGRAM

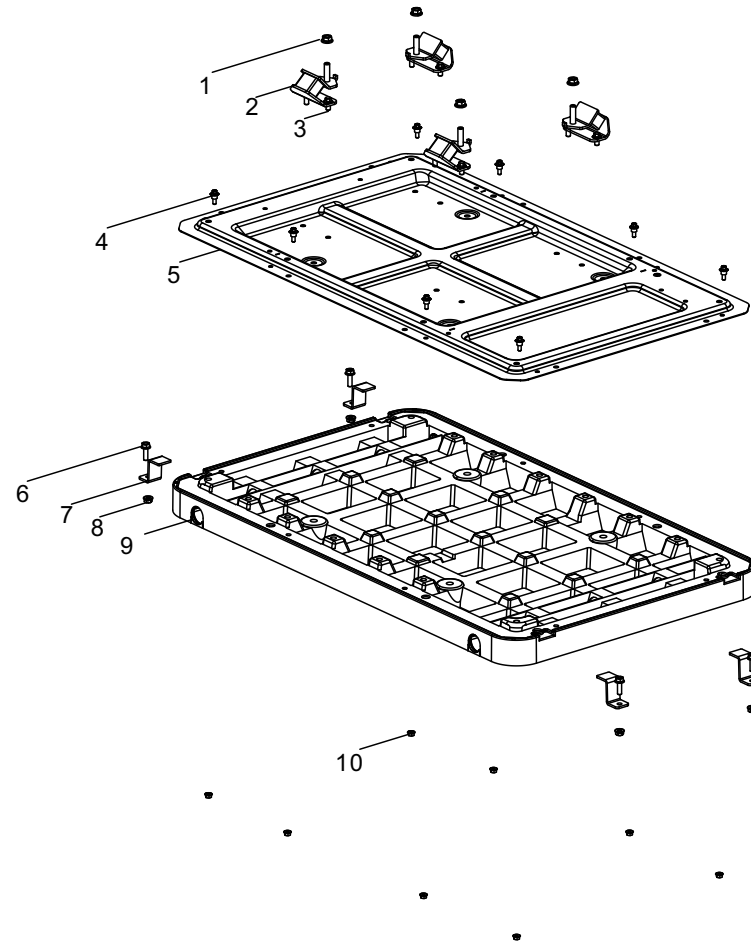


Figure G

MOUNTING PLATE ASSEMBLY PARTS LIST

#	Part Number	Description	Qty.
1	90306-000006	Hex Flange Nut, M10, Dacromet	4
2	51005-000018	Vibration Mount, Frame	4
3	90001-000040	Hex Flange Bolt, M8 x 16, Dacromet	8
4	90208-000009	Hex step bolt, M6 x 20, Dacromet	8
5	51140-000002	Base Plate, Steel	1
6	90039-000001	Hex Flange Bolt, M8 x 25, Dacromet	4
7	51124-000028	Mounting Bracket 1	4
8	90305-000012	Hex Flange Nut, M8, Dacromet	4
9	78100-000002	Base Composite	1
10	90305-000007	Hex Flange Nut, M6, Dacromet	15

FRAME ASSEMBLY PARTS DIAGRAM

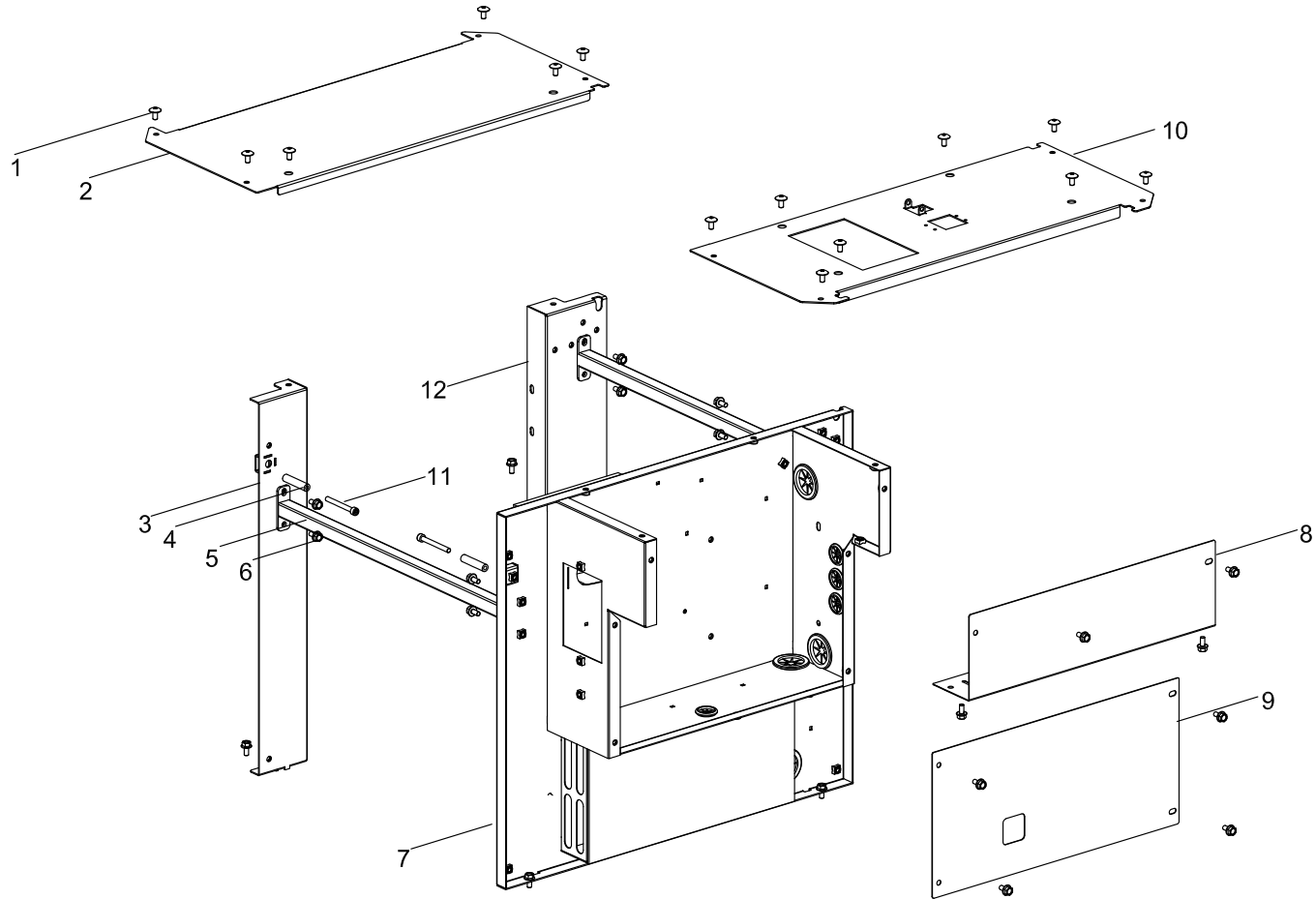


Figure H

FRAME ASSEMBLY PARTS LIST

#	Part Number	Description	Qty.
1	90111-000002	Inside Hex Bolt, M6 x 12, Dacromet	14
2	80093-000003	Cover Plate, Muffler Side	1
3	51035-000008	Support 1	1
4	90683-000018	Bush, Ø7 x Ø9.8 x 45	2
5	51035-000010	Support 2	2
6	90022-000002	Hex Flange Bolt with Tooth, M6 x 12, Dacromet	20
7	76021-000011	Mounting Plate	1
8	76021-000012	Electrical Cover Plate Upper	1
9	76021-000013	Electrical Cover Plate Lower	1
10	80097-000003	Electrical Panel	1
11	90102-000012	Inside Hex Bolt, M6 x 55, Dacromet	2
12	51035-000009	Support 3	1

OUTLET PANEL PARTS DIAGRAM

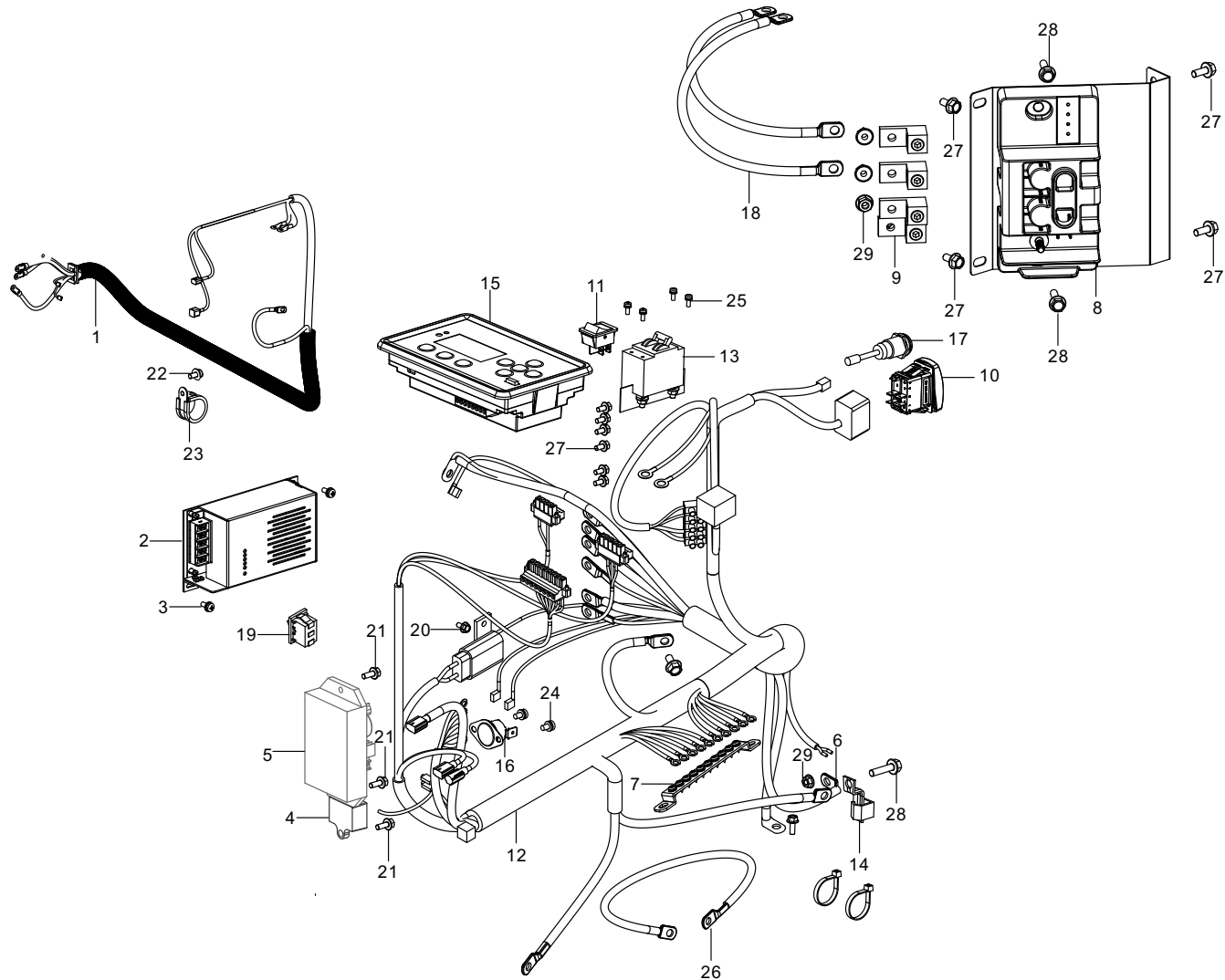


Figure I

OUTLET PANEL PARTS LIST

#	Part Number	Description	Qty.
1	90805-000006	Connecting Wires	1
2	31155-000002	Battery Charger	1
3	90254-000003	Screw & Washer Assembly, M4 x 10, Dacromet	2
4	30008-000007	Control Module	1
5	30060-000030	AVR	1
6	30009-000032	Ground Wire	1
7	31303-000007	Terminal Block 1	1
8	31303-000006	Terminal Block 2	1
9	31306-000001	Lug	4
10	5.1040.015	Emergency Switch, Exterior	1
11	5.1050.016	Emergency Switch, Interior	1
12	35542-000003	Wiring Harness	1
13	35627-000015	DPDT Flip Circuit Breaker, 240V, 45A, 2P, UL	1
14	35629-000003	Ground Terminal Assembly	1
15	35650-000076	Control Module	1
16	37009-000001	Temperature Sensor	1
17	90803-000002	Indicator Light	1
18	90805-000005	Connecting Wires, 320mm	1
19	35160-000025	Switch Assembly	1
20	90001-000001	Hex Flange Bolt, M5 x 10, Dacromet	1
21	90007-000011	Hex Flange Bolt, M6 x 16, Dacromet	3
22	90102-000008	Inside Hex Bolt, M6 x 12, Dacromet	1
23	90740-000013	Clamp	1
24	90103-000016	Screw, M3 x 6, Dacromet	2
25	90254-000003	Screw & Washer Assembly, M3 x 8, Dacromet	4
26	90805-000007	Connecting Wires, 150mm	1
27	90022-000002	Hex Flange Bolt with Tooth, M6 x 12, Dacromet	10

#	Part Number	Description	Qty.
28	90022-000003	Hex Flange Bolt with Tooth, M6 x 25, Dacromet	3
29	90305-000007	Hex Flange Nut, M6, Dacromet	4

APPEARANCE COMPONENT PARTS DIAGRAM

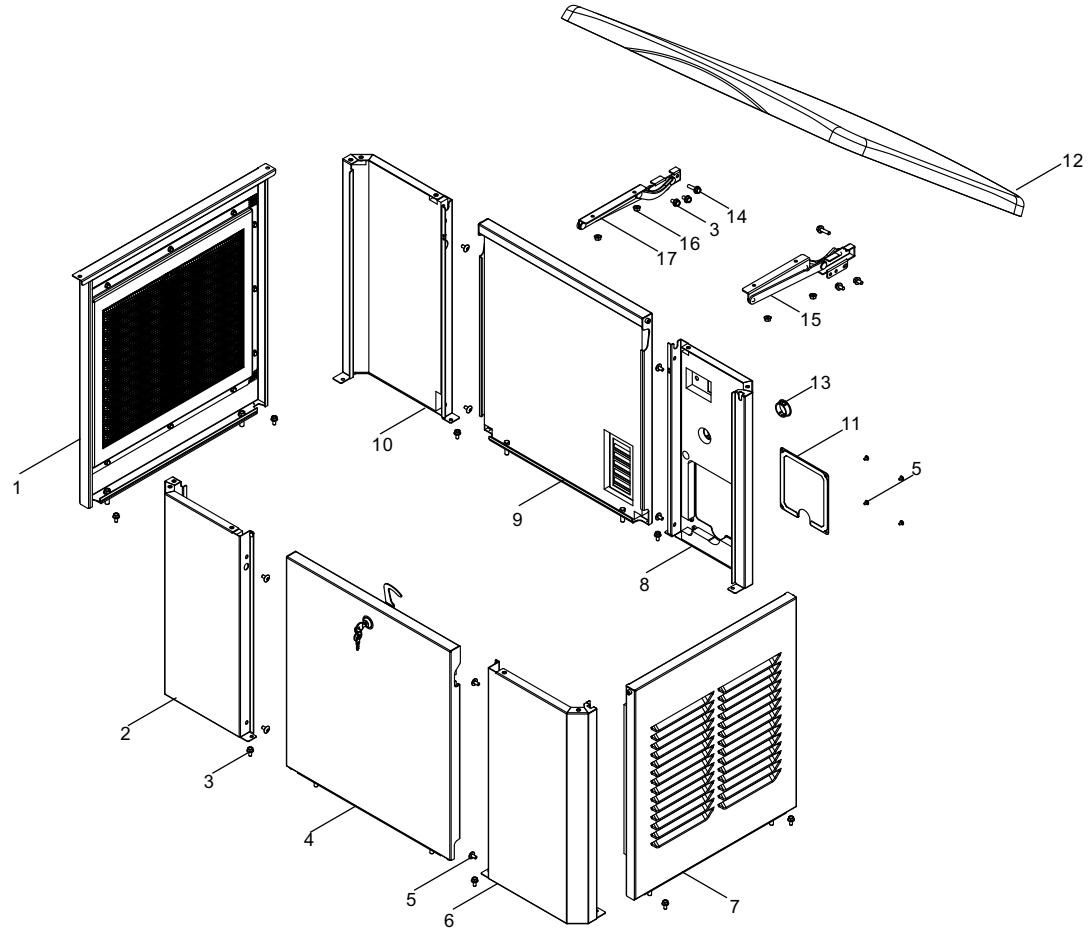


Figure J

APPEARANCE COMPONENT PARTS LIST

#	Part Number	Description	Qty.
1	80092-000045	Side Panel, Muffler	1
2	51116-000009	Side Panel 1	1
3	90022-000002	Hex Flange Bolts with Teeth, M6 x 12, Dacromet	12
4	80094-000004	Front Panel	1
5	90111-000002	Inside Hex Bolt, M6 x 12, Dacromet	12
6	51116-000010	Side Panel 3	1
7	80096-000044	Side Panel, Electrical Components	1
8	51116-000012	Side Panel 4	1
9	80103-000003	Rear Panel	1
10	51116-000011	Side Panel 2	1
11	76021-000010	Air Guide Panel	1
12	77001-000002	Top Cover	1
13	90722-000024	Plug	1
14	90022-000004	Hex Flange Bolts with Teeth, M6 x 30, Dacromet	2
15	51041-000006	Hinge 2, Top Cover	1
16	90305-000007	Hex Flange Nut, M6, Dacromet	4
17	51041-000005	Hinge 1, Top Cover	1

WIRING DIAGRAM

