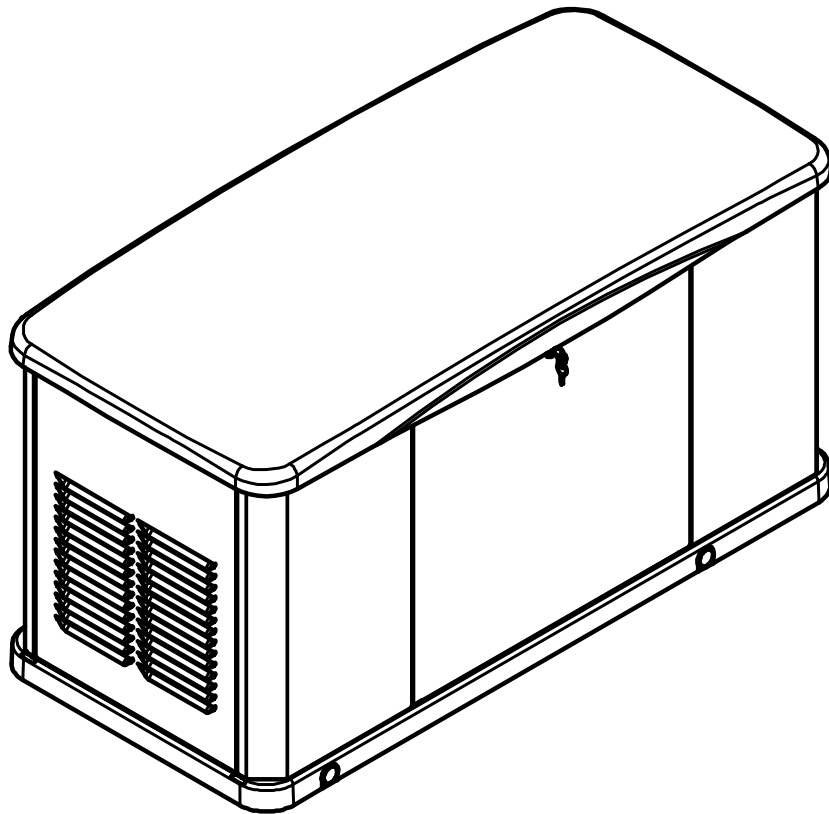


Champion Power Equipment, Inc.

**MODEL #201244**



## **PARTS INFORMATION**

**26-KW HOME STANDBY GENERATOR WITH FLEX CONTROLLER**

**SERIAL NUMBER RANGE: ALL**



To order replacement parts please visit:  
**[shop.championpowerequipment.com](http://shop.championpowerequipment.com)**  
or call **1-877-338-0999**.

## **TABLE OF CONTENTS**

<b>Generator Parts Diagram</b> .....	<b>3</b>
<b>Generator Parts List</b> .....	<b>4</b>
<b>Engine Parts Diagram</b> .....	<b>5</b>
<b>Engine Parts List</b> .....	<b>6</b>
<b>Cylinder Head Left Parts Diagram</b> .....	<b>9</b>
<b>Cylinder Head Left Parts List</b> .....	<b>10</b>
<b>Cylinder Head Right Parts Diagram</b> .....	<b>11</b>
<b>Cylinder Head Right Parts List</b> .....	<b>12</b>
<b>Appearance Component Parts Diagram</b> .....	<b>13</b>
<b>Appearance Component Parts List</b> .....	<b>14</b>
<b>Muffler Parts Diagram</b> .....	<b>15</b>
<b>Muffler Parts List</b> .....	<b>16</b>
<b>Alternator Parts Diagram</b> .....	<b>17</b>
<b>Alternator Parts List</b> .....	<b>18</b>
<b>Mounting Plate Assembly Parts Diagram</b> .....	<b>19</b>
<b>Mounting Plate Assembly Parts List</b> .....	<b>20</b>
<b>Frame Assembly Parts Diagram</b> .....	<b>21</b>
<b>Frame Assembly Parts List</b> .....	<b>22</b>
<b>Outlet Panel Parts Diagram</b> .....	<b>23</b>
<b>Outlet Panel Parts List</b> .....	<b>24</b>
<b>Wiring Diagram</b> .....	<b>25</b>

# GENERATOR PARTS DIAGRAM

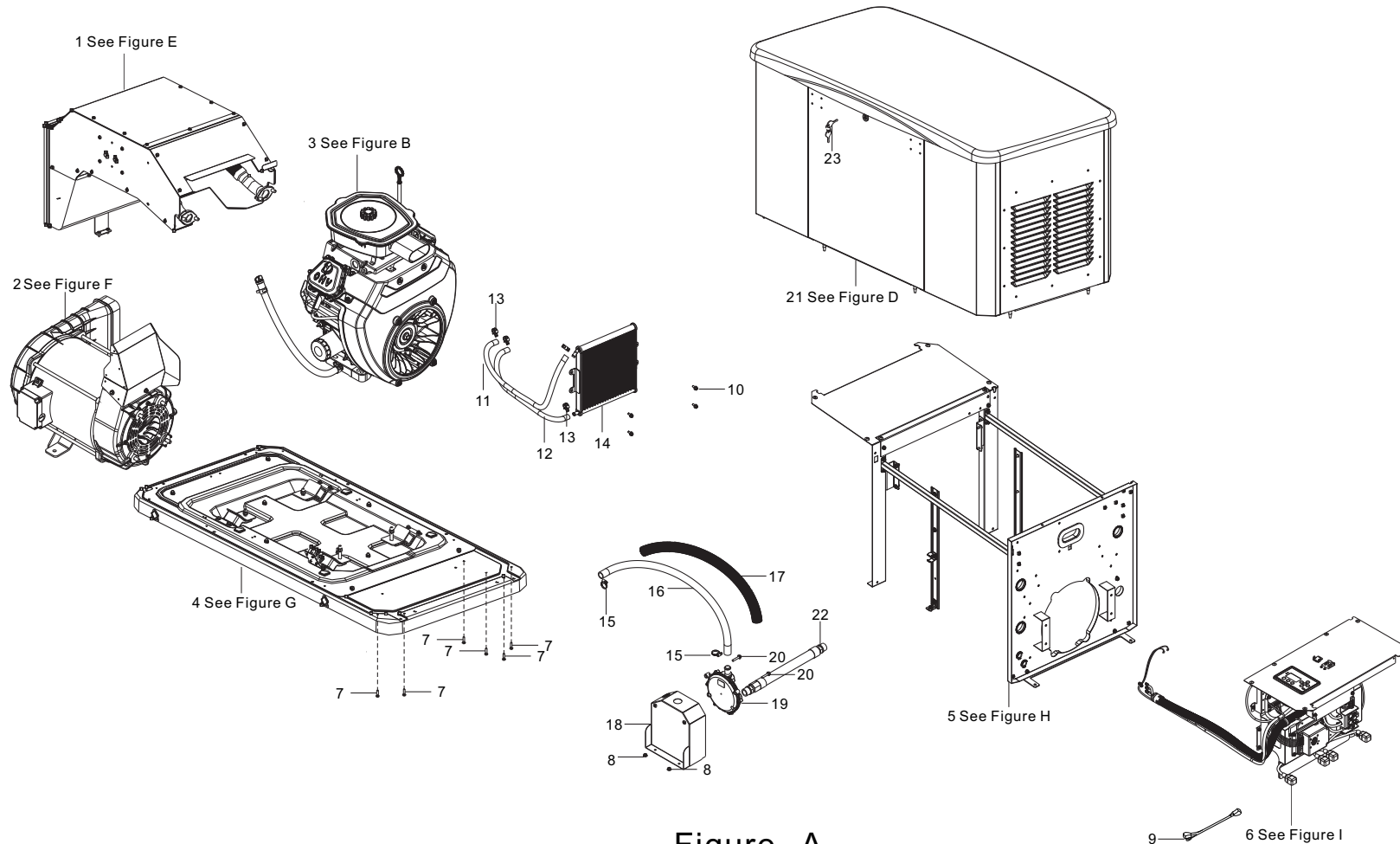
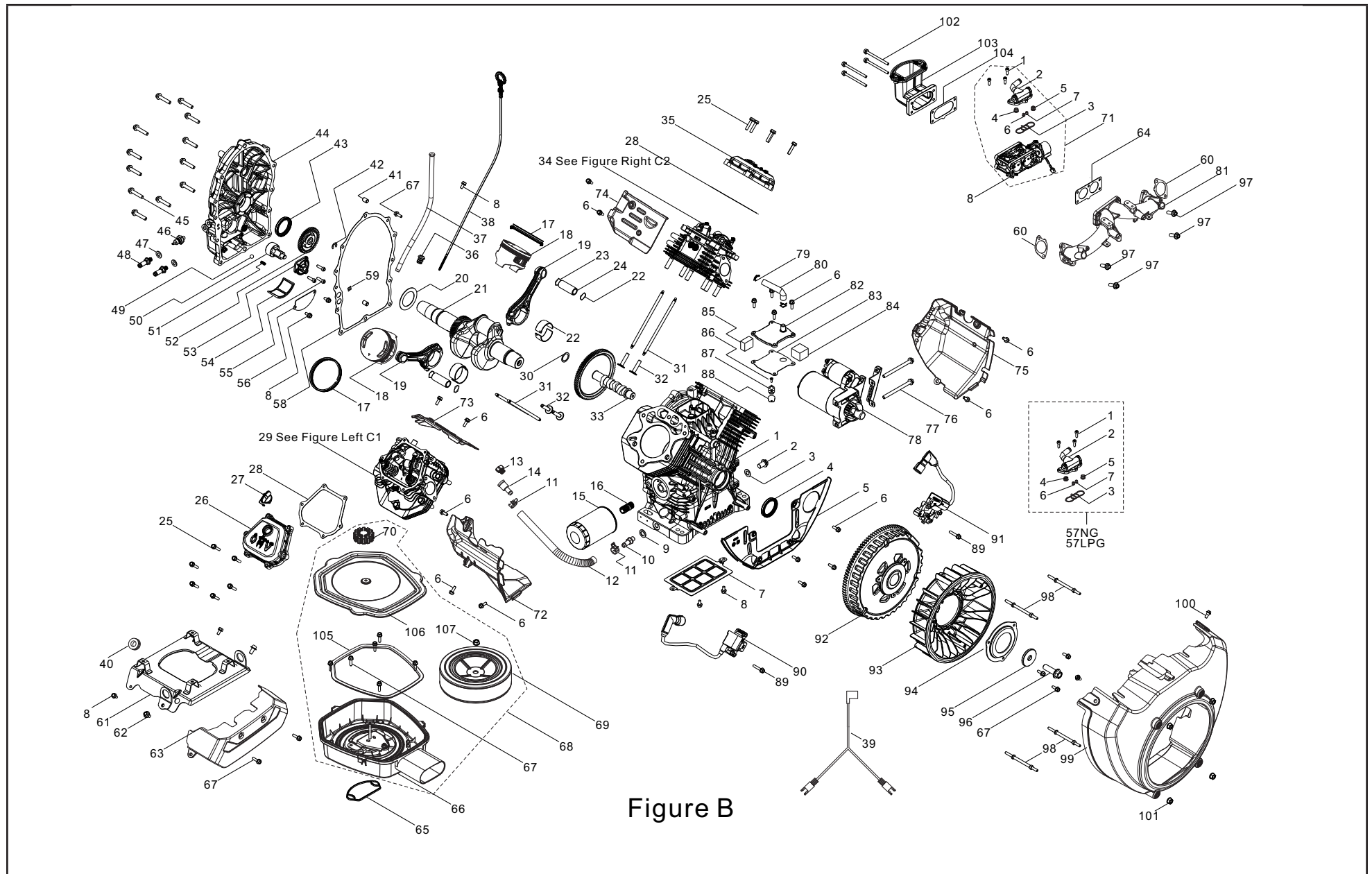


Figure A

## GENERATOR PARTS LIST

#	Part Number	Description	Qty.
1	96117-Y18100-0007	Muffler Assy - See Figure E	1
2	96114-Y31300-0031	Alternator Assy - See Figure F	1
3	96100-E2H999EC-01	Engine - See Figure B	1
4	96103-Y51100-0012	Base plate Assy - See Figure G	1
5	96103-Y51100-0046	Frame Assy - See Figure H	1
6	96119-Y35610-0007	Panel Assy - See Figure I	1
7	90005-000006	Hex Flange Bolt, M6 x 16, Dacromet	6
8	90305-000007	Hex Flange Nut, M6 x 8, Dacromet	2
9	90805-000003	Battery Jump Wire, L=200	1
10	90022-000002	Hex Flange Bolt with Tooth, M6 x 12, Dacromet	6
11	19111-000011	Cooling Tube, Ø9.5 x Ø17 x 665	1
12	19111-000010	Cooling Tube, Ø9.5 x Ø17 x 465	1
13	90685-000019	Clamp 1, Ø18 x 0.8 x 10, Dacromet	4
14	19100-000002	Oil Cooler	1
15	90748-000004	Clamp, Ø16 - 27	2
16	90729-000029	Hose, Ø16 x Ø25 x 650	1
17	90697-000006	Corrugated Pipe, Ø29 x Ø34.5 x 550	1
18	77002-000004	Mounting Support Plate, Gas Regulator	1
19	77100-000024	Regulator, Gas	1
20	90022-000003	Hex Flange Bolt with Tooth, M6 x 25, Dacromet	2
21	96132-Y80094-0005	Appearance component - See Figure D	1
22	90729-000019	Gas Inlet Flex Hose	1
23	161.200110.00.01	Keys, Door Lock	1

# ENGINE PARTS DIAGRAM



**ENGINE PARTS LIST**

#	Part Number	Description	Qty.
1	11310-000043	Crankcase Assy	1
2	11007-000003	Drain Plug Bolt, M12 x 1.5 x 18, Dacromet	1
3	90412-000003	Washer, Ø12 x Ø21 x 2	1
4	90682-000018	Oil Seal, Ø43 x Ø55 x 7	1
5	28118-000004	Crank Case Draught Block	1
6	90007-000011	Hex Flange Bolt, M6 x 16, Dacromet	17
7	22082-000001	Air Plate Base, White Zn	1
8	90007-000007	Hex Flange Bolt, M6 x 12, Dacromet	7
9	90412-000012	Washer, Ø16 x Ø22 x 2	1
10	90689-000007	Fuel Tube Connector, M16 x 2	1
11	90685-000024	Clamp, Ø23 x 1.5 x 12	2
12	11011-000013	Oil Drain Hose Assy	1
13	15030-000001	Oil Plug Assy, M8 x 2.5-7h	1
14	90689-000008	Fuel Tube Connector, M18 x 2.5	1
15	15220-000001	Oil Filter, L=120, Ø74.5	1
16	15208-000001	Oil Filter Mounting Pipe	1
17	13200-000015	Piston Ring Assy, Ø90, 1.2 x 1.2 x 2.5	2
18	13111-000025	Piston, Ø90, 1.2 x 1.2 x 2.5	2
19	13010-000016	Connecting Rod, Ø45 x Ø20 x 126.5	2
20	90408-000026	Flat Washer, Ø43.5 x Ø64 x 1	1
21	13300-000048	Crankshaft Assy	1
22	13005-000001	Bearing Bushing, Ø42 x 21 x 1.5	4
23	13122-000002	Piston Pin Clip, Ø20.5 x Ø1	4
24	13121-000014	Piston Pin, Ø20 x Ø13 x 62	2
25	90007-000031	Hex Flange Bolt, M6 x 28, Dacromet	12
26	12411-000004	Cylinder Head Cover	1
27	15031-000003	Oil Plug Assy, M20 x 2.5-6h	1
28	12004-000018	Cylinder Head Cover Gasket	2
29	96101-Z120410-0039	Left Cylinder Head Assy - See Figure C1	1
30	90408-000027	Flat Washer, Ø20.3 x Ø30 x 1	1

#	Part Number	Description	Qty.
31	14070-000010	Valve Lifter, SØ6 x Ø7 x 175.9	4
32	14081-000009	Valve Tappet, Ø26 x Ø8 x 34 x SR3	4
33	14200-000034	Camshaft Components	1
34	96101-Z120410-0040	Right Cylinder Head Assy - See Figure C2	1
35	12411-000005	Cylinder Head Cover Assy	1
36	15014-000002	Oil Dipstick Seal Plug	1
37	15020-000003	Oil Filler Pipe, Ø11 x 1	1
38	15010-000031	Oil Dipstick Assy	1
39	90805-000010	Connection Wires	1
40	16302-000001	Sleeve, Gasoline Pump Rubber	1
41	90502-000006	Pin, 10 x 14	2
42	90575-000004	Split Washer	1
43	90682-000017	Oil Seal, Ø43 x Ø55 x 7	1
44	11410-000003	Crankcase Cover	1
45	90007-000048	Hex Flange Bolt, M8 x 40, Dacromet	12
46	15202-000001	Pressure Sensor	1
47	90408-000019	Flat Washer, Ø10 x Ø15.8 x 1.5	2
48	90689-000006	Fuel Tube Connector, M10 x 1, White Zn	2
49	90543-000002	Steel Ball	1
50	15100-000002	Oil Pump Component, Ø34.9 x Ø18	1
51	15161-000001	Pressure Reducing Valve Spring, Ø9.5_Ø1.0	1
52	15105-000001	Oil Pump Driven Gear	1
53	15141-000001	Oil Pump Cover	1
54	15211-000001	Oil Screen	1
55	90102-000005	Inside Hex Bolt, M6 x 16, White Zn	3
56	15214-000001	Oil Filter Cover, White Zn	1
57	96105-Z16100-0046	Jet Block Assy, NG	1

#	Part Number	Description	Qty.	
<b>NG</b>	1	90102-000014	Screw, Fuel Inlet Body Set M5 x 14, White Zn	3
	2	94230-000007	Body Assembly, Fuel Inlet	1
	3	30214-000005	Gasket, Fuel Inlet Body	1
	4	16161-000121	Main Jet - Left, #750	1
	5	16161-000121	Main Jet - Right, #750	1
	6	16165-000008	Slow Jet - Left, #370	1
	7	16165-000008	Slow Jet - Right, #370	1
<b>57</b>	96105-Z16100-0047	Jet Block Assy, LPG	1	
<b>LPG</b>	1	90102-000014	Screw, Fuel Inlet Body Set M5 x 14, White Zn	3
	2	94230-000008	Body Assembly, Fuel Inlet	1
	3	30214-000005	Gasket, Fuel Inlet Body	1
	4	16161-000119	Main Jet - Left, #540	1
	5	16161-000120	Main Jet - Right, #450	1
	6	16165-000006	Slow Jet - Left, #190	1
	7	16165-000007	Slow Jet - Right, #230	1
<b>58</b>	11001-000019	Crankcase Gasket	1	
<b>59</b>	90692-000001	O-shaped Rubber Seal Ring, Ø10.2×2.65	1	
<b>60</b>	17002-000010	Air Intake Gasket	2	
<b>61</b>	17003-000014	Air Cleaner Support	1	
<b>62</b>	90001-000040	Hex Flange Bolt, M8 x 16, Dacromet	2	
<b>63</b>	30028-000004	Air Hood Guard Plate	1	
<b>64</b>	16001-000012	Mixer Gasket	1	
<b>65</b>	90681-000016	Seal Ring	1	
<b>66</b>	17140-000002	Seat, Air Cleaner	1	
<b>67</b>	90007-000044	Hex Flange Bolt, M6 x 20, Dacromet	12	
<b>68</b>	17100-000037	Air Cleaner	1	
<b>69</b>	17150-000006	Element, Air Cleaner, Ø194x 49.5	1	
<b>70</b>	35643-000021	Knob	1	

#	Part Number	Description	Qty.	
<b>71</b>	16B00-000005	Mixer Assy	1	
	1	90102-000014	Screw, Fuel Inlet Body Set M5 x 14, White Zn	3
	2	94230-000007	Body Assembly, Fuel Inlet	1
	3	30214-000005	Gasket, Fuel Inlet Body	1
	4	16161-000121	Main Jet - Left, #750	1
	5	16161-000121	Main Jet - Right, #750	1
	6	16165-000008	Slow Jet - Left, #370	1
	7	16165-000008	Slow Jet - Right, #370	1
	8	16141-000003	Mixer Body	1
<b>72</b>	19304-000015	Cylinder Body Shroud, Left	1	
<b>73</b>	28118-000009	Crank Case Draught Block	1	
<b>74</b>	28118-000010	Crank Case Draught Block 1	1	
<b>75</b>	19304-000016	Cylinder Body Shroud	1	
<b>76</b>	90001-000066	Hex Flange Bolt, M8 x 100, Dacromet	2	
<b>77</b>	31303-000004	Terminal Block	1	
<b>78</b>	30300-000009	Starter Motor	1	
<b>79</b>	90685-000015	Clamp, Ø14 x 1.6, White Zn	2	
<b>80</b>	17004-000029	Breather Tube, Ø11 x Ø15 x 85	1	
<b>81</b>	12510-000010	Intake Pipe, Ø35 x Ø41	1	
<b>82</b>	11333-000005	Breathing Tank Cover Plate	1	
<b>83</b>	11332-000008	Breathing Tank Gasket	1	
<b>84</b>	11331-000003	Breathing Tank Strainer, 47 x 40 x 6.5	1	
<b>85</b>	11331-000001	Breathing Tank Strainer, 29 x 17 x 16	1	
<b>86</b>	90103-000003	Screw, M4 x 10, White Zn	1	
<b>87</b>	12045-000002	Reed Valve Stop Plate	1	
<b>88</b>	11321-000002	Respiratory Tablet	1	
<b>89</b>	90007-000017	Hex Flange Bolt, M6 x 30, Dacromet	2	
<b>90</b>	30400-000056	Left Ignition Coil	1	
<b>91</b>	30400-000057	Right Ignition Coil	1	
<b>92</b>	13500-000001	Flywheel Assy	1	
<b>93</b>	19352-000022	Cooling Fan, Engine, D=264.5, H=75	1	
<b>94</b>	13515-000002	Fan Mounting Disc, Ø60 × Ø115 × 2.5	1	

#	Part Number	Description	Qty.
95	90407-000001	Washer, Ø14.5 × Ø50 × 5, White Zn	1
96	13502-000001	Flywheel Bolt, M14 x 1.5 x 40, Dacromet	1
97	90001-000044	Hex Flange Bolt, M8 x 25, Dacromet	4
98	28001-000004	Double-Headed Support Bolt, M6-6h, L=70.5, Dacromet	4
99	19330-000005	Engine Shroud	1
100	90208-000010	Hex Step Bolt, M6×20,Dacromet	2
101	90305-000007	Hex Flange Nut, M6, Dacromet	4
102	90007-000027	Hex Flange Bolt, M6 x 80, Dacromet	4
103	17112-000005	Air Cleaner Connection Pipe	1
104	17001-000018	Air Cleaner Gasket	1
105	90681-000017	Seal Ring	1
106	17104-000004	Cover, Air Cleaner Case	1
107	17156-000001	Washer, Air Cleaner Element	1

## CYLINDER HEAD LEFT PARTS DIAGRAM

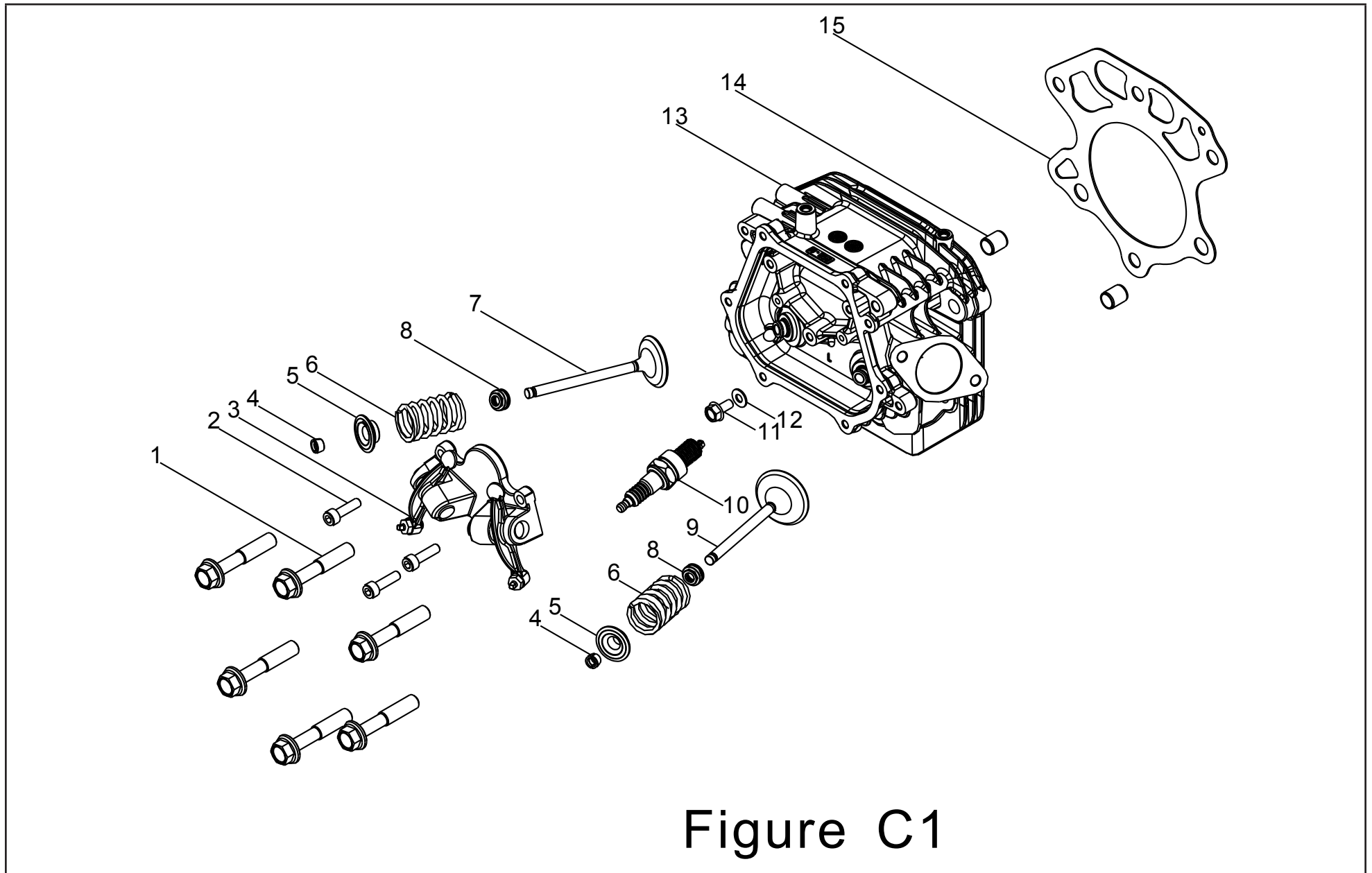


Figure C1

**CYLINDER HEAD LEFT PARTS LIST**

#	Part Number	Description	Qty.
1	12003-000010	Cylinder Head Bolt, M10 x 55, Dacromet	6
2	90102-000007	Inside Hex Bolt, M6 x 20, White Zn	3
3	14310-000015	Valve Rocker Arm	1
4	12109-000005	Valve Lock Clamp, Ø6.6 x Ø9.6	4
5	12112-000005	Valve Spring Retainer	2
6	12103-000004	Valve Spring, Ø23 x Ø3 x 44	2
7	12121-000016	Exhaust Valve	1
8	12101-000002	Seal Guide	2
9	12111-000014	Intake Valve	1
10	30010-000008	Spark Plug, RC12YC, M14 x 1.25 x75	1
11	90007-000007	Hexagon Flange Bolt, M6 x 12, Dacromet	1
12	90681-000019	Seal Ring	1
13	12140-000041	Cylinder Head	1
14	90502-000010	Pin, Ø12 x 16	2
15	12131-000022	Cylinder Head Gasket	1

## CYLINDER HEAD RIGHT PARTS DIAGRAM

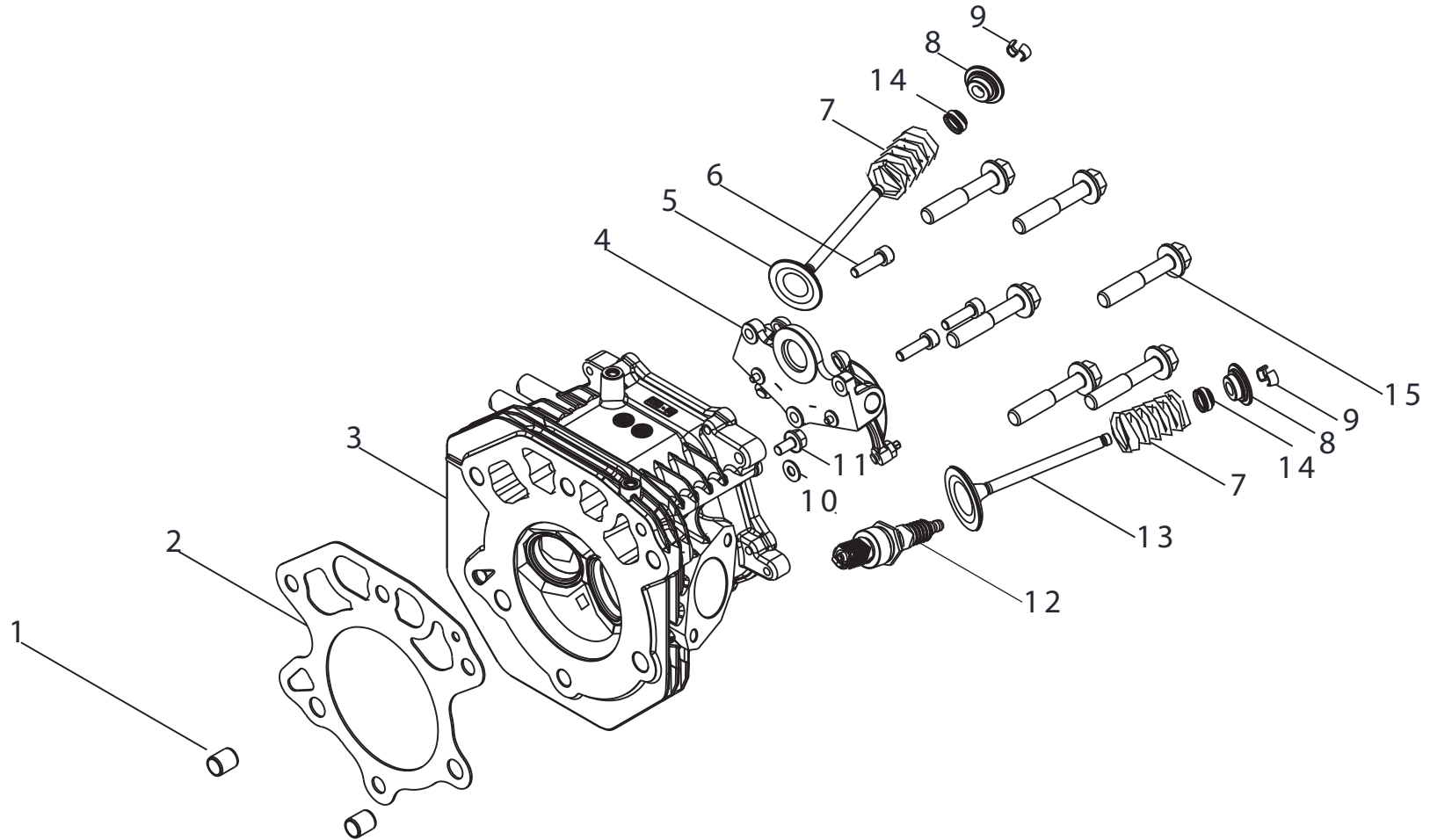


Figure C2

## CYLINDER HEAD RIGHT PARTS LIST

#	Part Number	Description	Qty.
1	90502-000010	Pin, Ø12 x 16	2
2	12131-000023	Cylinder Head Gasket	1
3	12140-000042	Cylinder Head	1
4	14310-000015	Valve Rocker Arm	1
5	12121-000016	Exhaust Valve	1
6	90102-000007	Inside Hex Bolt, M6 x 20, White Zn	3
7	12103-000004	Valve Spring, Ø23 x Ø3 x 44	2
8	12112-000005	Valve Spring Retainer	2
9	12109-000005	Valve Lock Clamp, Ø6.6 x Ø9.6	4
10	90681-000019	Seal Ring	1
11	90007-000007	Hex Flange Bolt, M6 x 12, Dacromet	1
12	30010-000008	Spark Plug, RC12YC, M14 x 1.25 x75	1
13	12111-000014	Intake Valve	1
14	12101-000002	Seal Guide	2
15	12003-000010	Cylinder Head Bolt, M10 x 55, Dacromet	6

# APPEARANCE COMPONENT PARTS DIAGRAM

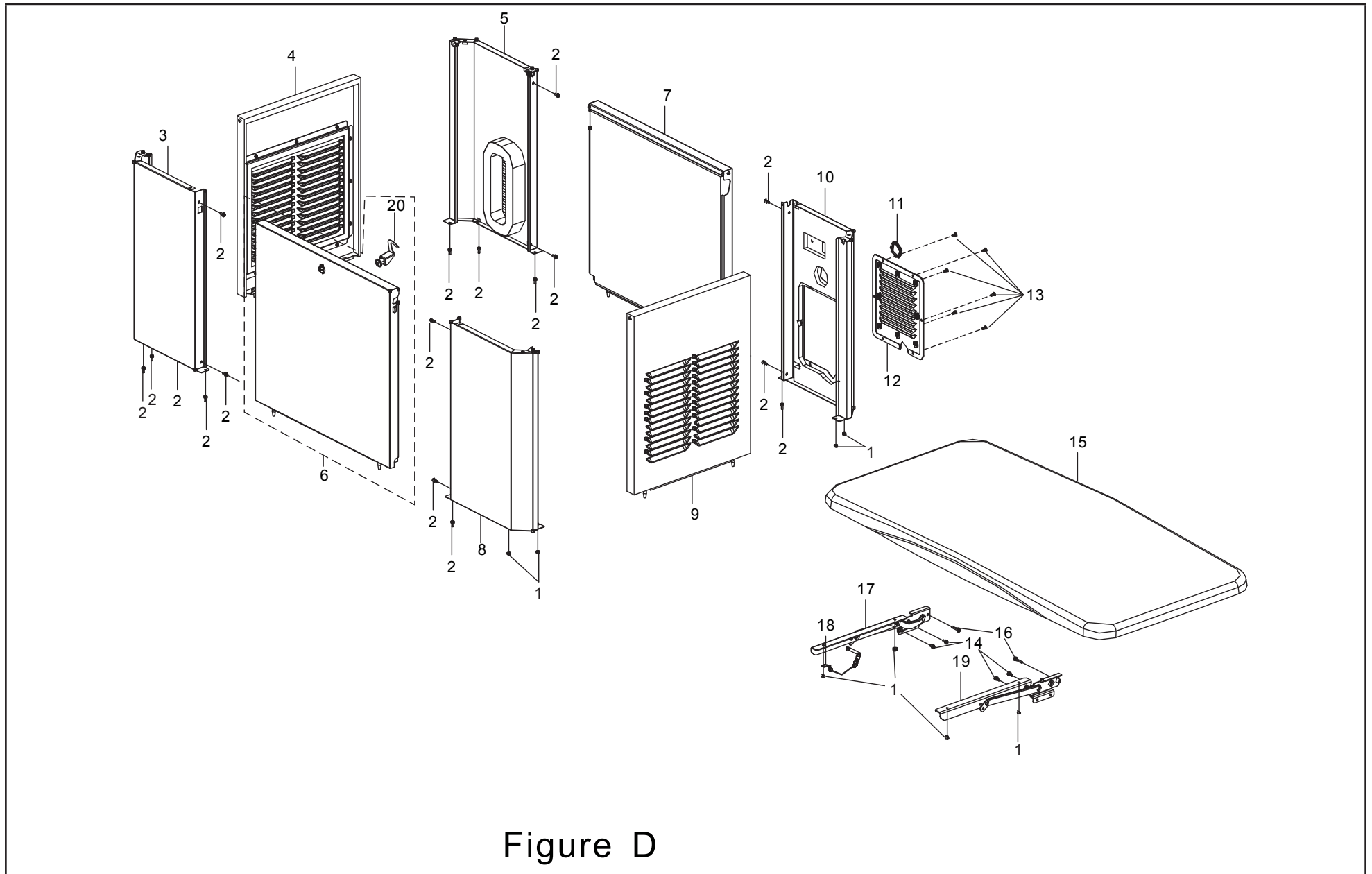


Figure D

**APPEARANCE COMPONENT PARTS LIST**

#	Part Number	Description	Qty.
1	90305-000007	Hex Flange Nut, M6, Dacromet	8
2	90007-000007	Hex Flange Bolt, M6 x 12, Dacromet	16
3	51116-000005	Side Panel 1	1
4	80092-000039	Side Panel, Muffler	1
5	51116-000006	Side Panel 2	1
6	80094-000003	Front Panel	1
7	80103-000002	Rear Panel	1
8	51116-000007	Side Panel 3	1
9	80096-000045	Side Panel, Electrical Components	1
10	51116-000008	Side Panel 4	1
11	90722-000024	End Cap	1
12	76021-000006	Air Guide Panel	1
13	90111-000002	Inside Hex Bolt, M6 x 12, Dacromet	6
14	90022-000002	Hex Flange Bolt with Tooth, M6 x 12, Dacromet	4
15	77001-000001	Top Cover	1
16	90022-000004	Hex Flange Bolt with Tooth, M6 x 30, Dacromet	2
17	51041-000003	Hinge 1, Top Cover	1
18	97003-000001	Pin Shaft & String	1
19	51041-000004	Hinge 2, Top Cover	1
20	93113-000001	Door Lock	1

# MUFFLER PARTS DIAGRAM

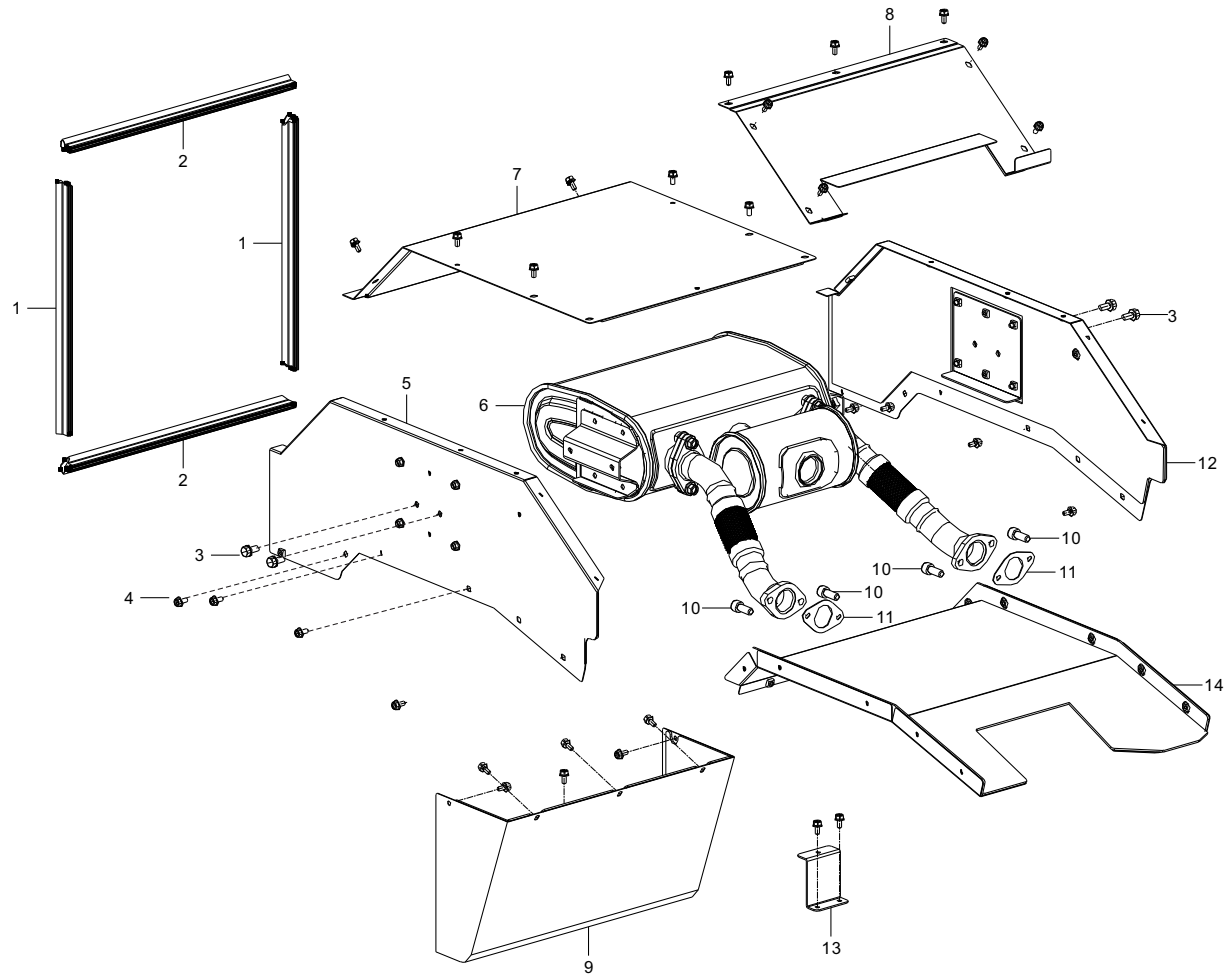


Figure E

**MUFFLER PARTS LIST**

#	Part Number	Description	Qty.
1	51198-000011	Sealing Strip 1	2
2	51198-000012	Sealing Strip 2	2
3	90001-000076	Hex Flange Bolt, M8 x 20, Dacromet	4
4	90022-000002	Hex Flange Bolt with Tooth, M6 x 12, Dacromet	29
5	18109-000011	Muffler fairing, Left	1
6	18100-000060	Muffler	1
7	18109-000009	Muffler fairing, Top	1
8	18109-000014	Muffler fairing, Rear	1
9	18109-000006	Muffler fairing, Side	1
10	90102-000006	Inside Hex Bolt, M10 x 25, Dacromet	4
11	18001-000013	Exhaust Gasket 2, Muffler	2
12	18109-000012	Muffler fairing, Right	1
13	51168-000002	Mounting Bracket	1
14	18109-000010	Muffler fairing, Bottom	1

# ALTERNATOR PARTS DIAGRAM

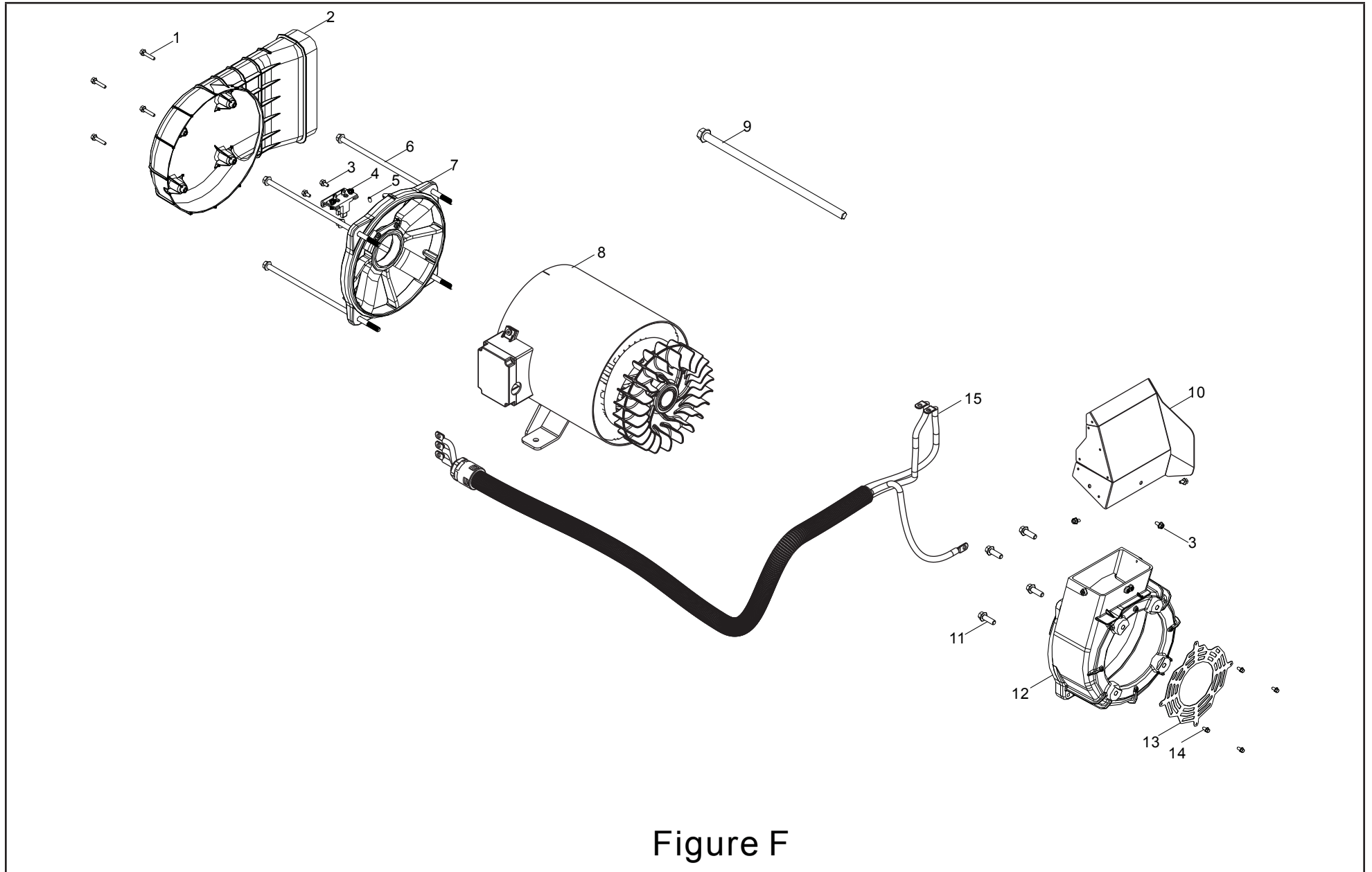


Figure F

**ALTERNATOR PARTS LIST**

#	Part Number	Description	Qty.
1	90022-000004	Hex Flange Bolt with Tooth, M6 x 30, Dacromet	4
2	30022-000010	Cover, End Housing	1
3	90022-000002	Hex Flange Bolt with Tooth, M6 x 12, Dacromet	5
4	31320-000007	Carbon Brush Assy	1
5	90121-000001	Inside Hex Bolt, M6 x 12, Dacromet	1
6	30049-000007	Stator Bolt, 5/8 - 18UNF-2B x 400, Dacromet	4
7	30021-000006	End Housing, Ø270	1
8	31300-000046	Alternator Assy, Ø270 x 210	1
9	30048-000007	Rotor Bolt, M10 x 1.25 x 320, Dacromet	1
10	19313-000006	Wind Board	1
11	90001-000057	Hex Flange Bolt, M10 x 25, Dacromet	4
12	30031-000003	Front Housing, Ø270	1
13	76021-000005	Protective Plate, Alternator	1
14	90001-000001	Hex Flange Bolt, M5 x 10, Dacromet	4
15	90805-000008	Connection Cables, 2 x 1450+1500+1750	1



**MOUNTING PLATE ASSEMBLY PARTS LIST**

#	Part Number	Description	Qty.
1	51140-000001	Base Plate	1
2	90683-000013	Bush	4
3	90722-000021	End Cap	4
4	51005-000014	Vibration Mount 2, Frame	2
5	90305-000014	Hex Flange Nut, M10, Dacromet	4
6	90001-000040	Hex Flange Bolt, M8 x 16, Dacromet	8
7	51005-000013	Vibration Mount 1, Frame	2
8	51124-000025	Mounting Bracket 1	1
9	51124-000020	Mounting Bracket 2	4
10	78100-000001	Base Component	1
11	90722-000023	End Cap	4
12	90305-000012	Hex Flange Nut, M8, Dacromet	8
13	90005-000007	Hex Bolt, M8 x 20, Dacromet	8
14	90004-000001	Hex Flange Bolt, 3/8-16, Dacromet	4
15	16552-000001	Flat Washer, Ø10.5 x Ø25 x 3.5	4

## FRAME ASSEMBLY PARTS DIAGRAM

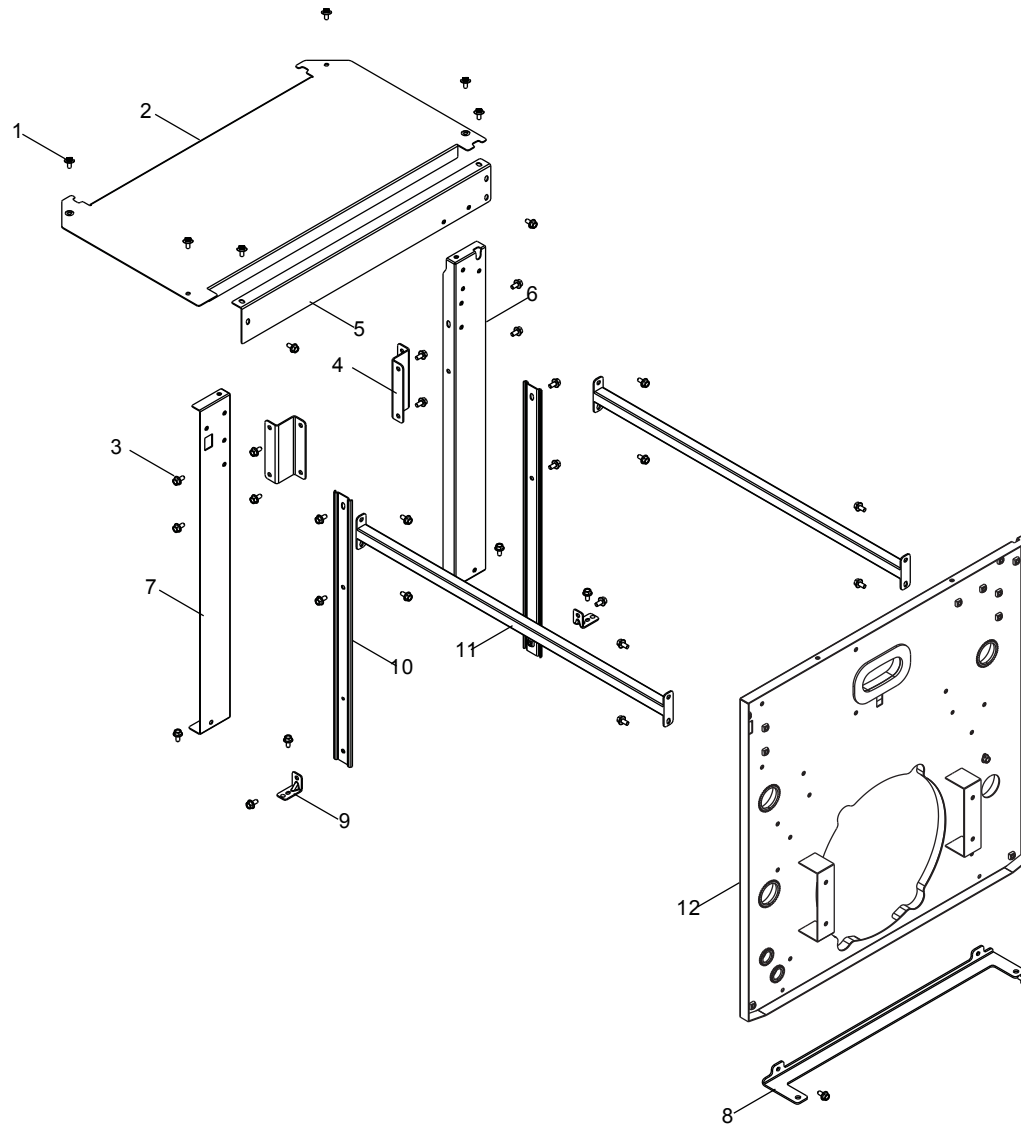


Figure H

**FRAME ASSEMBLY PARTS LIST**

#	Part Number	Description	Qty.
1	90111-000002	Inside Hex Bolt, M6 x 12, Dacromet	6
2	80093-000002	Decorative Plate	1
3	90022-000002	Hex Flange Bolt with Tooth, M6 x 12, Dacromet	30
4	51124-000017	Mounting Bracket 2	2
5	51035-000004	Support 1	1
6	51035-000003	Support 2	1
7	51035-000002	Support 3	1
8	51035-000006	Support 6	1
9	51168-000001	Mounting Bracket 1	2
10	51035-000011	Support 4	2
11	51035-000007	Support 5	2
12	76021-000014	Mounting Plate	1

# OUTLET PANEL PARTS DIAGRAM

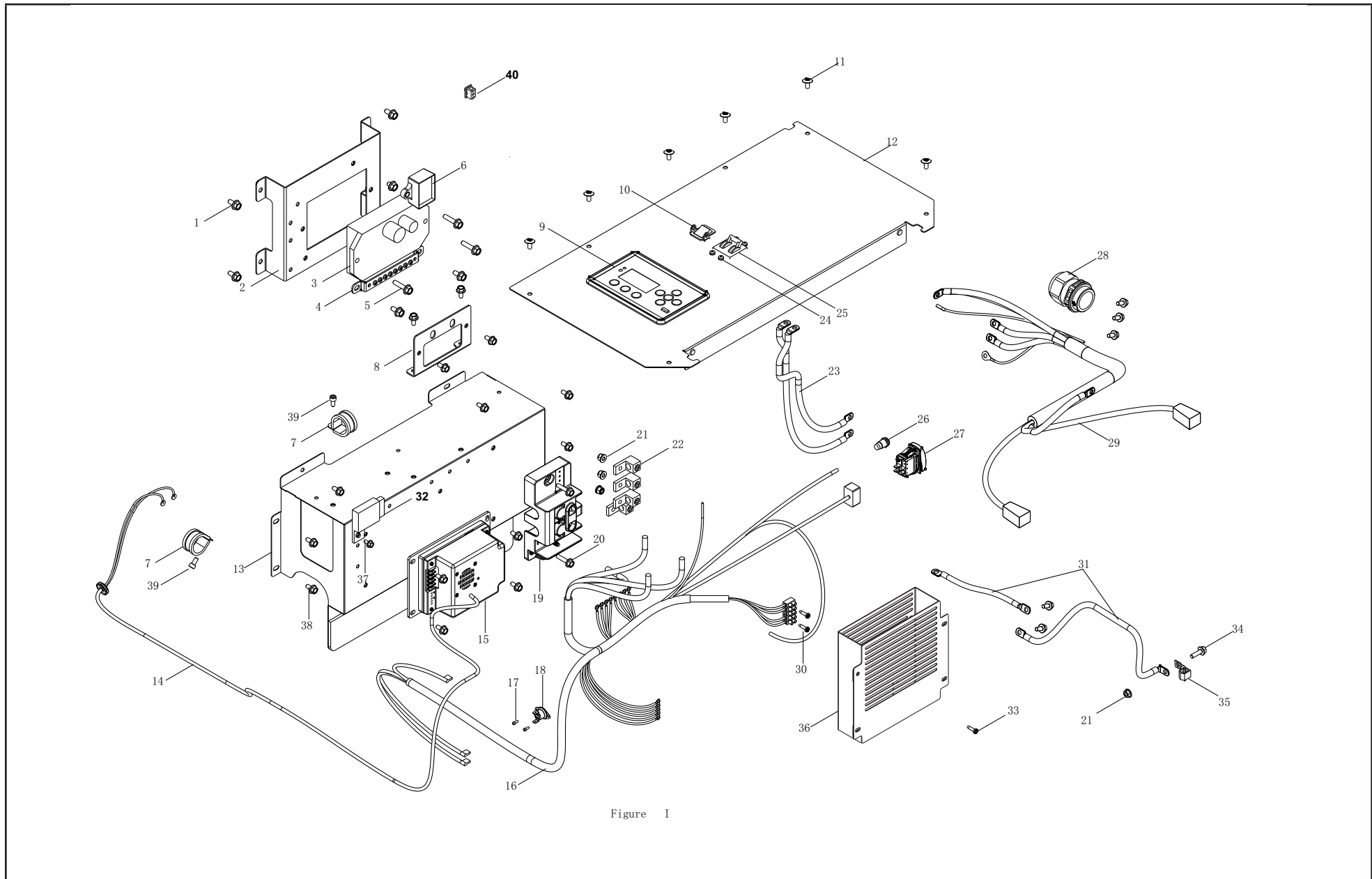


Figure 1

**OUTLET PANEL PARTS LIST**

#	Part Number	Description	Qty.
1	90022-000002	Hex Flange Bolt with Tooth, M6 x 12, Dacromet	20
2	30361-000002	Control Box Mounting Bracket	1
3	30060-000031	AVR	1
4	31303-000007	Terminal Block	1
5	90007-000011	Hex Flange Bolt, M6 x 16, Dacromet	3
6	30008-000007	Control Module	1
7	90740-000013	Clamp	2
8	51124-000018	Mounting Bracket	1
9	35650-000040	Control Panel	1
10	35160-000019	Switch Assy, 16A/25VDC,16A/250VAC	1
11	90111-000002	Inside Hex screw, M6 x 12, Dacromet	6
12	80097-000002	Decorative Plate	1
13	76021-000007	Mounting Bracket, Charger	1
14	31326-000001	Wiring Harness, Carbon Brush	1
15	31155-000001	Battery Charger	1
16	35542-000002	Wiring Harness	1
17	90103-000016	Screw, M3 x 6, Dacromet	2
18	37009-000001	Temperature Sensor	1
19	31303-000006	Terminal Block	1
20	90022-000003	Hex Flange Bolt with Tooth, M6 x 25, Dacromet	2
21	90305-000007	Hex Flange Nut, M6, Dacromet	4
22	31306-000001	Terminal	4
23	90805-000009	Connecting Wires	1
24	90254-000003	Screw & Washer Assy, M3 x 8, Dacromet	4
25	35627-000016	DPDT Flip Circuit Breaker, 120A, UL	1
26	90803-000002	Indicator Light	1
27	35040-000001	Emergency Switch	1
28	35543-000001	Harness Jacket, M40 x 1.25	1

#	Part Number	Description	Qty.
29	31112-000017	DC Wire Harness, Battery	1
30	90107-000011	Screw, ST2.5 x 16, Dacromet	2
31	30009-000023	Ground Wire	1
32	90721-000002	Fuse, 35A	1
33	90107-000013	Self Tapping Screw, ST3.5 x 13, Dacromet	1
34	90022-000004	Hex Flange Bolt with Tooth, M6 x 30, Dacromet	1
35	35629-000003	Ground Terminal Assy	1
36	35230-000002	Breaker Shield	1
37	90001-000001	Hex Flange Bolt, M5 x 10, Dacromet	1
38	90007-000007	Hex Flange Bolt, M6 x 12, Dacromet	6
39	90102-000008	Inside Hex Bolt, M6 x 12, Dacromet	2
40	35160-000025	Switch Assy, 12A/125VAC,8A/250VAC	1

# WIRING DIAGRAM

