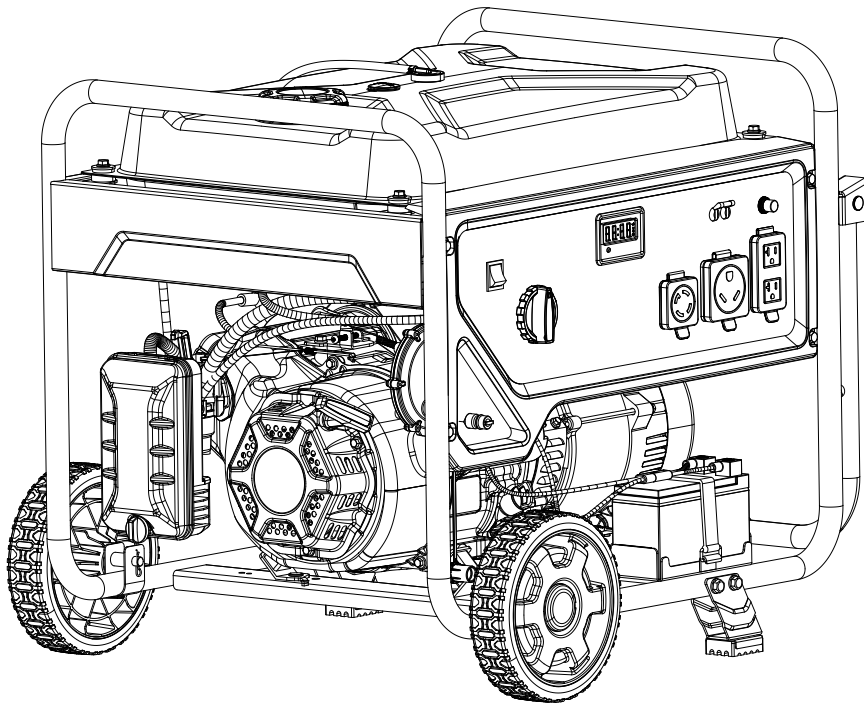


Champion Power Equipment, Inc.

**MODEL #201602**



## **PARTS INFORMATION**

**5,000W TRI-FUEL ELECTRIC START GENERATOR**

**SERIAL NUMBER RANGE: ALL**



To order replacement parts please visit:  
**[shop.championpowerequipment.com](http://shop.championpowerequipment.com)**  
or call **1-877-338-0999**.

## **TABLE OF CONTENTS**

|   |           |
|---|-----------|
| <b>Generator Parts Diagram</b> .....      | <b>3</b>  |
| <b>Generator Parts List</b> .....         | <b>4</b>  |
| <b>Engine Parts Diagram</b> .....         | <b>5</b>  |
| <b>Engine Parts List</b> .....            | <b>6</b>  |
| <b>Cylinder Head Parts Diagram</b> .....  | <b>8</b>  |
| <b>Cylinder Head Parts List</b> .....     | <b>9</b>  |
| <b>Carburetor Parts Diagram</b> .....     | <b>10</b> |
| <b>Carburetor Parts List</b> .....        | <b>11</b> |
| <b>Alternator Parts Diagram</b> .....     | <b>12</b> |
| <b>Alternator Parts List</b> .....        | <b>13</b> |
| <b>Fuel Tank Parts Diagram</b> .....      | <b>14</b> |
| <b>Fuel Tank Parts List</b> .....         | <b>15</b> |
| <b>Control Panel Parts Diagram</b> .....  | <b>16</b> |
| <b>Control Panel Parts List</b> .....     | <b>17</b> |
| <b>Frame Assembly Parts Diagram</b> ..... | <b>18</b> |
| <b>Frame Assembly Parts List</b> .....    | <b>19</b> |
| <b>Wiring Diagram</b> .....               | <b>20</b> |

# GENERATOR PARTS DIAGRAM

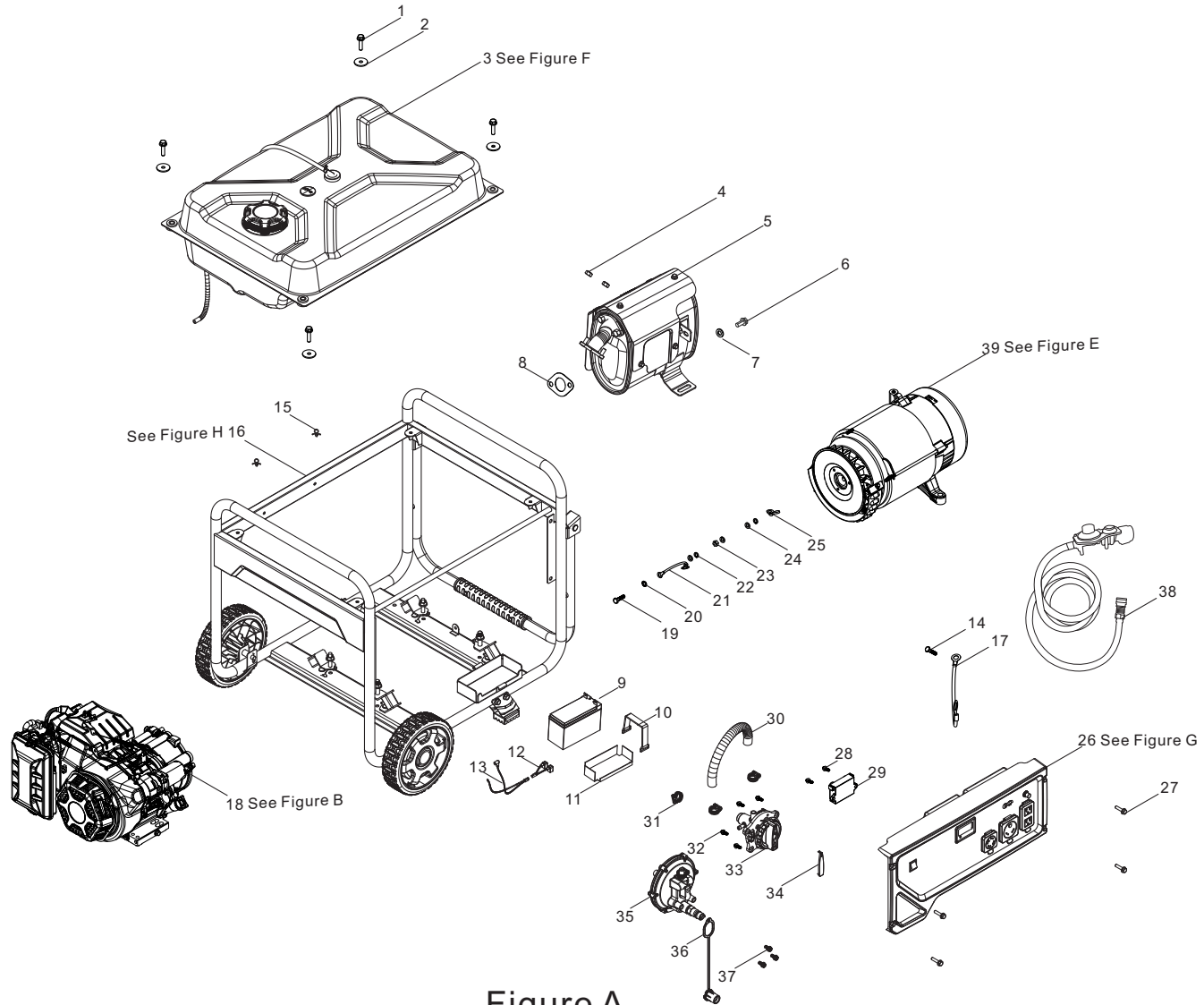


Figure A

**GENERATOR PARTS LIST**

| #  | Part Number       | Description                        | Qty. |
|----|-------------------|------------------------------------|------|
| 1  | 90007-000024      | Hex Flange Bolt, M6 x 25, Blk Zn   | 4    |
| 2  | 90408-000008      | Flat Washer, Ø6, Blk Zn            | 4    |
| 3  | 96104-Y16620-0040 | Fuel Tank Assy - See Figure F      | 1    |
| 4  | 90303-000005      | Hex Nut, M8, White Zn              | 2    |
| 5  | 18100-000063      | Muffler Assy                       | 1    |
| 6  | 90001-000041      | Hex Flange Bolt, M8 x 16, Blk Zn   | 1    |
| 7  | 90408-000035      | Flat Washer, Ø8 x Ø18.5 x 1.5      | 1    |
| 8  | 18001-000004      | Exhaust Outlet Gasket              | 1    |
| 9  | 31110-000007      | Battery, 12V/9Ah, 150 x 65 x 90    | 1    |
| 10 | 31115-000001      | Band, Battery                      | 1    |
| 11 | 93097-000001      | Thermal Baffle, Battery            | 1    |
| 12 | 31112-000011      | DC Wire Harness, Battery           | 1    |
| 13 | 31114-000016      | DC Wire, Engine                    | 1    |
| 14 | 90001-000007      | Hex Flange Bolt, M5 x 16, White Zn | 1    |
| 15 | 90684-000005      | Clip, Ø8                           | 2    |
| 16 | 96103-Y51100-0048 | Frame Assy - See Figure H          | 1    |
| 17 | 30009-000014      | Grounding Wire                     | 1    |
| 18 | 96100-R290DS00-01 | Engine - See Figure B              | 1    |
| 19 | 90001-000027      | Hex Flange Bolt, M6 x 25, Blk Zn   | 1    |
| 20 | 90415-000001      | Lock Washer, Toothed, Blk Zn       | 1    |
| 21 | 30009-000024      | Grounding Wire                     | 1    |
| 22 | 90403-000003      | Spring Washer, Ø6, Blk Zn          | 2    |
| 23 | 90303-000003      | Hex Nut, M6, Blk Zn                | 1    |
| 24 | 90408-000006      | Flat Washer, Ø6, Blk Zn            | 3    |
| 25 | 90312-000001      | Wing Nut, M6, Blk Zn               | 1    |
| 26 | 35610-000208      | Control Panel Assy - See Figure G  | 1    |

| #  | Part Number       | Description                            | Qty. |
|----|-------------------|--|------|
| 27 | 90007-000012      | Hex Flange Bolt, M6 x 16, Blk Zn       | 4    |
| 28 | 90124-000003      | Self Tapping Screw, PT5 x 16, White Zn | 2    |
| 29 | 35720-000001      | Co Alarm                               | 1    |
| 30 | 90729-000005      | Vent Hose, Ø9.5 x Ø16.8 x 250          | 1    |
| 31 | 90748-000002      | Clamp, Ø10 x 16                        | 3    |
| 32 | 90124-000003      | Self Tapping Screw, PT5 x 16, White Zn | 4    |
| 33 | 16750-000037      | Fuel Valve Assy                        | 1    |
| 34 | 82007-000005      | Decorative Covers PMS 109C             | 1    |
| 35 | 77100-000027      | Regulator, LPG/NG                      | 1    |
| 36 | 90722-000019      | Plug, End                              | 1    |
| 37 | 90134-000001      | Bolt, Cross Hex Pan Head, M5 x 12      | 3    |
| 38 | 77300-000006      | LPG Hose With Regulator                | 1    |
| 39 | 96114-Y31300-0032 | Alternator Assy - See Figure E         | 1    |

# ENGINE PARTS DIAGRAM

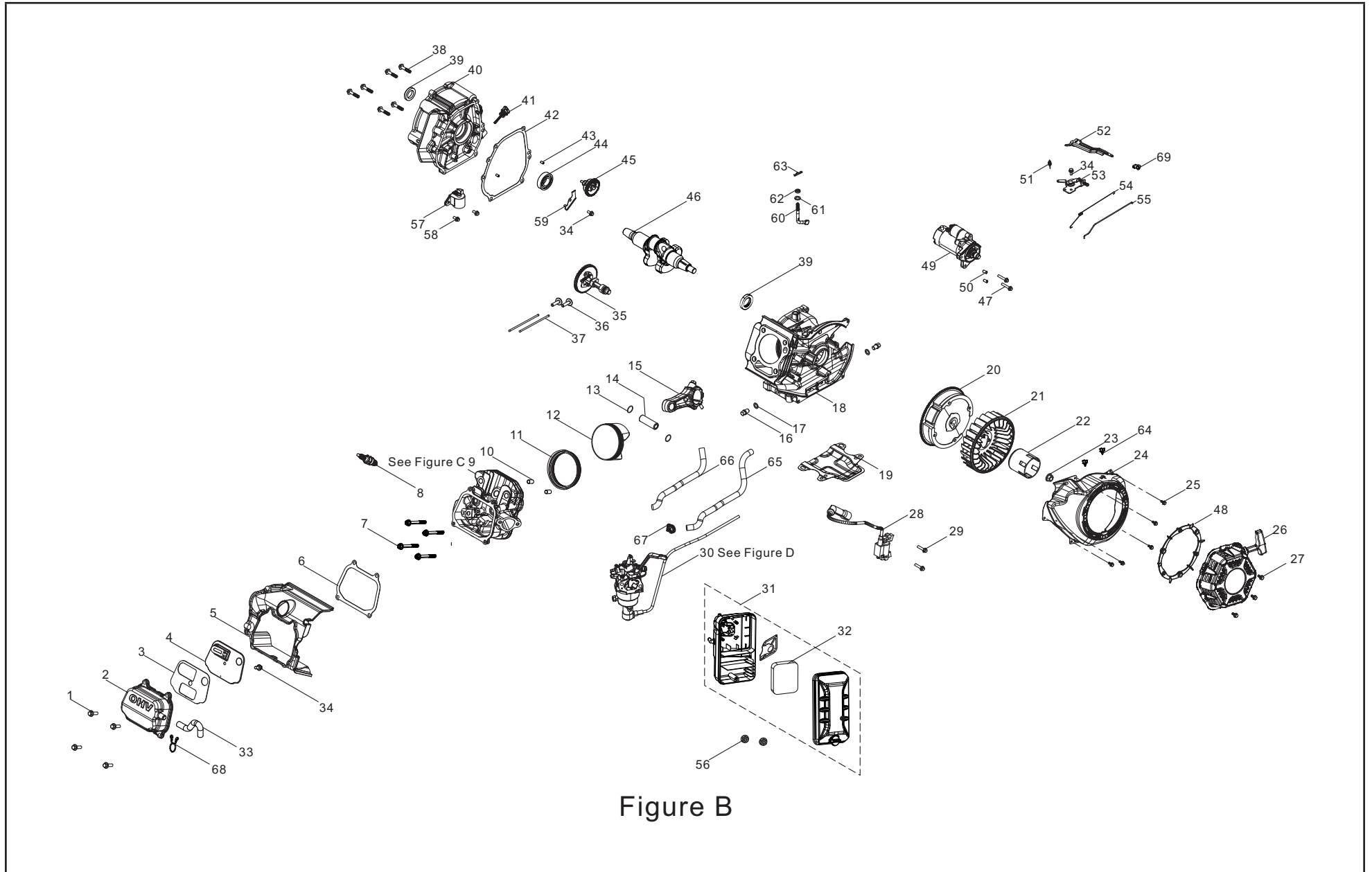


Figure B

**ENGINE PARTS LIST**

| #  | Part Number        | Description                             | Qty. |
|----|--------------------|---|------|
| 1  | 90001-000024       | Hex Flange Bolt, M6 x 20, White Zn      | 4    |
| 2  | 12410-000023       | Cylinder Head Cover Assy                | 1    |
| 3  | 11332-000014       | Gasket, Breath Groove                   | 1    |
| 4  | 11320-000009       | Stop Engine Piece Assy                  | 1    |
| 5  | 19304-000017       | Cylinder Body Shroud                    | 1    |
| 6  | 12004-000025       | Cylinder Head Cover Gasket              | 1    |
| 7  | 12003-000006       | Cylinder Head Bolt, M10 x 1.25 x 85     | 4    |
| 8  | 30010-000001       | Spark Plug, F6RTC                       | 1    |
| 9  | 96101-Z120410-0042 | Cylinder Head Assy - See Figure C       | 1    |
| 10 | 90502-000008       | Pin, 12 x 20                            | 2    |
| 11 | 13200-000021       | Piston Ring Assy, Ø80                   | 1    |
| 12 | 13111-000027       | Piston, Ø80                             | 1    |
| 13 | 13122-000006       | Piston Pin Clip                         | 2    |
| 14 | 13121-000016       | Piston Pin, Ø15 x Ø10 x 46              | 1    |
| 15 | 13010-000021       | Connecting Rod                          | 1    |
| 16 | 11007-000001       | Drain Plug Bolt, M12 x1.5 x15, White Zn | 2    |
| 17 | 90408-000019       | Washer, Ø10 x Ø15.8 x 1.5               | 2    |
| 18 | 11310-000045       | Crankcase Assy                          | 1    |
| 19 | 19306-000006       | Deflector, Crankcase Air                | 1    |
| 20 | 13510-000030       | Flywheel Assy                           | 1    |
| 21 | 19352-000027       | Cooling Fan, Engine                     | 1    |
| 22 | 28002-000021       | Starter Pulley                          | 1    |
| 23 | 13501-000001       | Flywheel Nut, M14 x 1.5, White Zinc     | 1    |
| 24 | 28110-000054       | Engine Fan Cover                        | 1    |
| 25 | 90001-000019       | Hex Flange Bolt, M6 x 12, Blk Zn        | 4    |
| 26 | 28200-000005       | Recoil Starter Assy                     | 1    |

| #  | Part Number       | Description                            | Qty. |
|----|-------------------|--|------|
| 27 | 90251-000002      | Blot & Washer Assy, M6 x 18, Blk Zn    | 3    |
| 28 | 30400-000059      | Ignition Coil                          | 1    |
| 29 | 90001-000026      | Hex Flange Bolt, M8 x 40, White Zn     | 2    |
| 30 | 96105-Z16100-0051 | Carburetor Assy - See Figure D         | 1    |
| 31 | 17100-000040      | Air Cleaner                            | 1    |
| 32 | 17151-000009      | Element 1, Air Cleaner                 | 1    |
| 33 | 17004-000022      | Tube, Breather, Ø8 x Ø12               | 1    |
| 34 | 90001-000018      | Hex Flange Bolt, M6 x 12, White Zn     | 3    |
| 35 | 14200-000036      | Camshaft Assy                          | 1    |
| 36 | 14081-000011      | Valve Lifter                           | 2    |
| 37 | 14070-000013      | Valve Rod                              | 2    |
| 38 | 90001-000049      | Hex Flange Bolt, M8 x 35, Blk Zn       | 6    |
| 39 | 90682-000004      | Oil Seal, Ø30 x Ø46 x 8                | 2    |
| 40 | 11411-000034      | Crankcase Cover                        | 1    |
| 41 | 15010-000033      | Oil Dipstick Assy                      | 1    |
| 42 | 11001-000021      | Crankcase Gasket                       | 1    |
| 43 | 90502-000003      | Pin, 8 x 14                            | 2    |
| 44 | 90547-000008      | Bearing, 6206                          | 1    |
| 45 | 16400-000010      | Governor Gear Assy                     | 1    |
| 46 | 13300-000050      | Crankshaft Assy                        | 1    |
| 47 | 90001-000032      | Hex Flange Bolt, M6 x 32, White Zn     | 2    |
| 48 | 28261-000006      | Recoil Starter Reel Cover Retainer     | 1    |
| 49 | 30300-000011      | Starting Motor Assy                    | 1    |
| 50 | 90502-000001      | Pin, 8 x 10                            | 2    |
| 51 | 16063-000032      | Spring, Governor                       | 1    |
| 52 | 1607A-000020      | Governing Bracket Subassembly Assembly | 1    |
| 53 | 16520-000030      | Throttle Control Assy, White Zn        | 1    |
| 54 | 16012-000007      | Throttle Valve Returning Spring        | 1    |
| 55 | 16062-000010      | Governeur Rod, White Zn                | 1    |
| 56 | 90305-000008      | Hex Flange Nut, M6, Blk Zn             | 2    |

| #  | Part Number  | Description                        | Qty. |
|----|--------------|------------------------------------|------|
| 57 | 37060-000021 | Engine oil Sensor                  | 1    |
| 58 | 90001-000020 | Hex Flange Bolt, M6 x 14, White Zn | 2    |
| 59 | 54066-000003 | Wire Plate                         | 1    |
| 60 | 16061-000007 | Governor Arm                       | 1    |
| 61 | 90408-000020 | Washer, Ø6.2 x Ø15 x 0.6           | 1    |
| 62 | 90682-000003 | Oil Seal, Ø6 x Ø11 x 4             | 1    |
| 63 | 90501-000005 | Pin, White Zn                      | 1    |
| 64 | 90740-000002 | Collar, Ø15 x Ø10.5 x 2.0          | 2    |
| 65 | 90729-000031 | Vent Hose, Ø9.5 x Ø16.8 x 395      | 1    |
| 66 | 30431-000033 | Rubber Sleeve, Ø19.5 x Ø18 x 250   | 1    |
| 67 | 90748-000002 | Clamp, Ø10 x 16                    | 1    |
| 68 | 90740-000014 | Collar, Ø12.5 x Ø1.5, White Zn     | 1    |
| 69 | 16011-000001 | Clip, Choke Rod                    | 1    |

## CYLINDER HEAD PARTS DIAGRAM

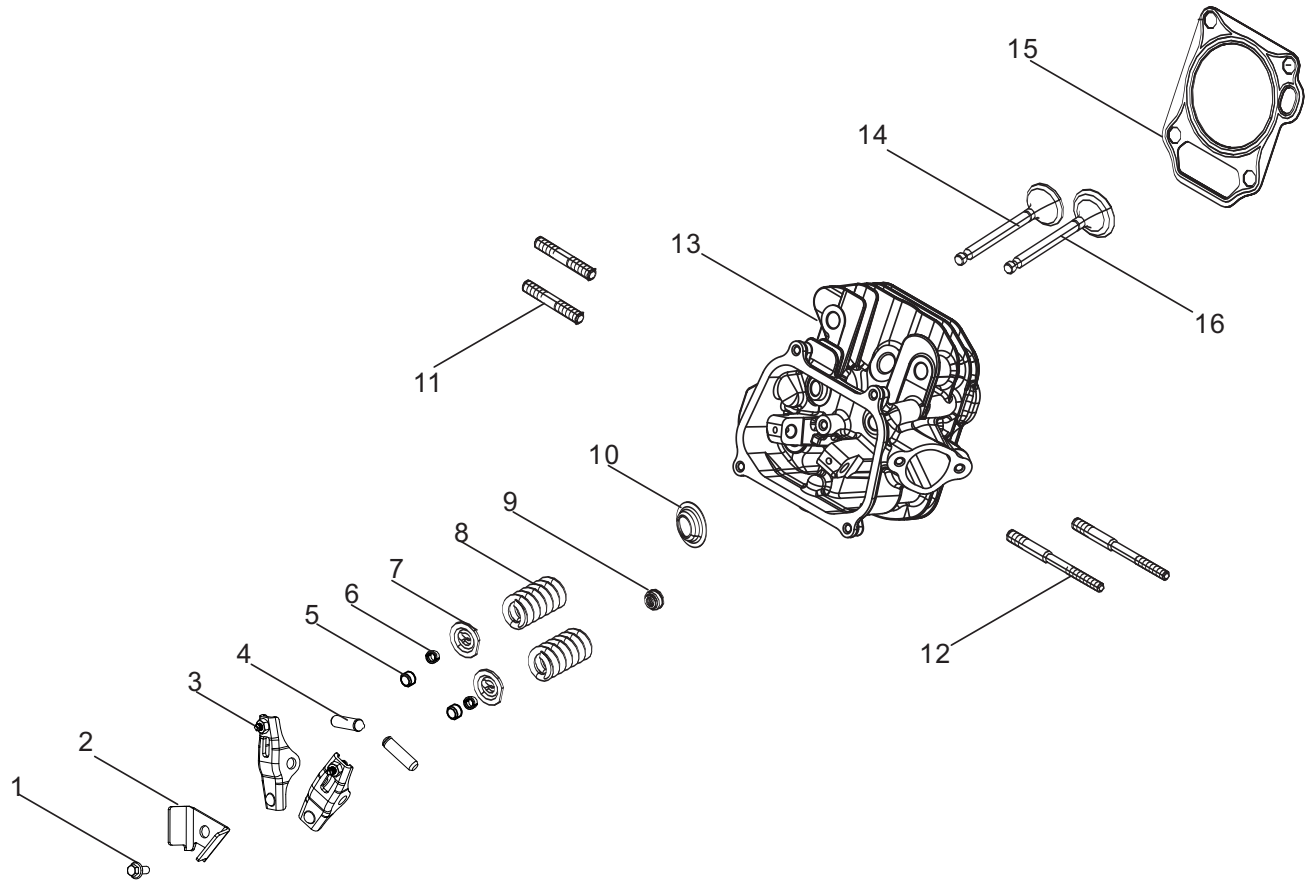


Figure C

**CYLINDER HEAD PARTS LIST**

| #  | Part Number  | Description                            | Qty. |
|----|--------------|--|------|
| 1  | 90001-000018 | Hex Flange Bolt, M6 x 12, White Zn     | 1    |
| 2  | 12419-000002 | Pin Stopper Plate, Cylinder Head Cover | 1    |
| 3  | 14310-000017 | Valve Rocker Assy                      | 2    |
| 4  | 14318-000008 | Rocker Shaft Assy                      | 2    |
| 5  | 12104-000002 | Rotator, Valve                         | 2    |
| 6  | 12109-000005 | Valve Lock Clamp, Ø6.6 x Ø9.6          | 4    |
| 7  | 12112-000005 | Valve Spring Retainer, Ø9.66           | 2    |
| 8  | 12103-000002 | Valve Spring, Ø22.9 x 2.9 x 39         | 2    |
| 9  | 12101-000002 | Seal Guide                             | 1    |
| 10 | 12105-000002 | Retainer, Valve Spring, Ø15 x Ø27      | 1    |
| 11 | 90203-000002 | Stud, M8 x 34, Blk Zn                  | 2    |
| 12 | 90204-000025 | Stud, M6 x 105, White Zn               | 2    |
| 13 | 12140-000044 | Cylinder Head Assy                     | 1    |
| 14 | 12121-000024 | Exhaust Valve                          | 1    |
| 15 | 12131-000026 | Cylinder Head Gasket                   | 1    |
| 16 | 12111-000025 | Inlet Valve                            | 1    |

# CARBURETOR PARTS DIAGRAM

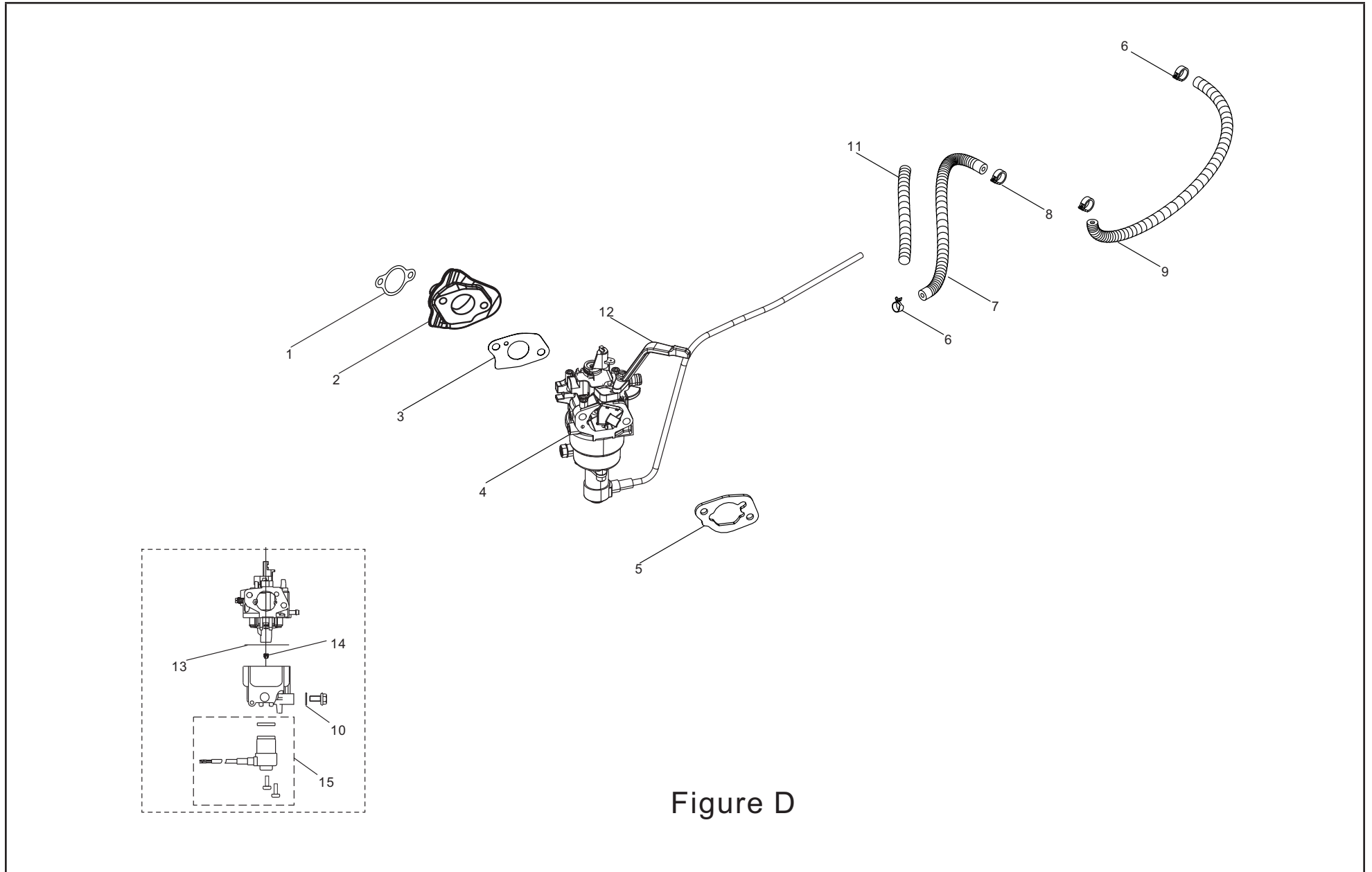


Figure D

**CARBURETOR PARTS LIST**

| #  | Part Number  | Description                             | Qty. |
|----|--------------|---|------|
| 1  | 17002-000012 | Gasket, Inlet                           | 1    |
| 2  | 16003-000022 | Carburetor Insulator Plate              | 1    |
| 3  | 16001-000014 | Carburetor Gasket                       | 1    |
| 4  | 16100-000103 | Carburetor Assy                         | 1    |
| 5  | 17001-000023 | Air Cleaner Gasket                      | 1    |
| 6  | 90685-000002 | Clamp, Ø9.0 x 0.8 x 8 Dacromet          | 2    |
| 7  | 90686-000077 | Tube, Ø4 x Ø10 x 470                    | 1    |
| 8  | 90685-000010 | Clamp, Ø10.5 x 0.8 x 8, Dacromet        | 2    |
| 9  | 90686-000066 | Tube, Ø4.5 x Ø10 x 305                  | 1    |
| 10 | 90681-000003 | Seal Ring                               | 1    |
| 11 | 30431-000048 | Rubber Sleeve, Ø13 x Ø11.5 x 390        | 1    |
| 12 | 16120-000002 | Handle, Carburetor Choke                | 1    |
| 13 | 16112-000001 | Seal Ring, Float                        | 1    |
| 14 | 16161-000122 | Main Jet (91#)                          | 1    |
|    | 16161-000037 | Main Jet (89#), Altitude 3000-6000 Feet | /    |
|    | 16161-000036 | Main Jet (87#), Altitude 6000-8000 Feet | /    |
| 15 | 16108-000014 | Solenoid Valve Assembly                 | 1    |
|    |              |   | 2    |
|    |              |   | 1    |

# ALTERNATOR PARTS DIAGRAM

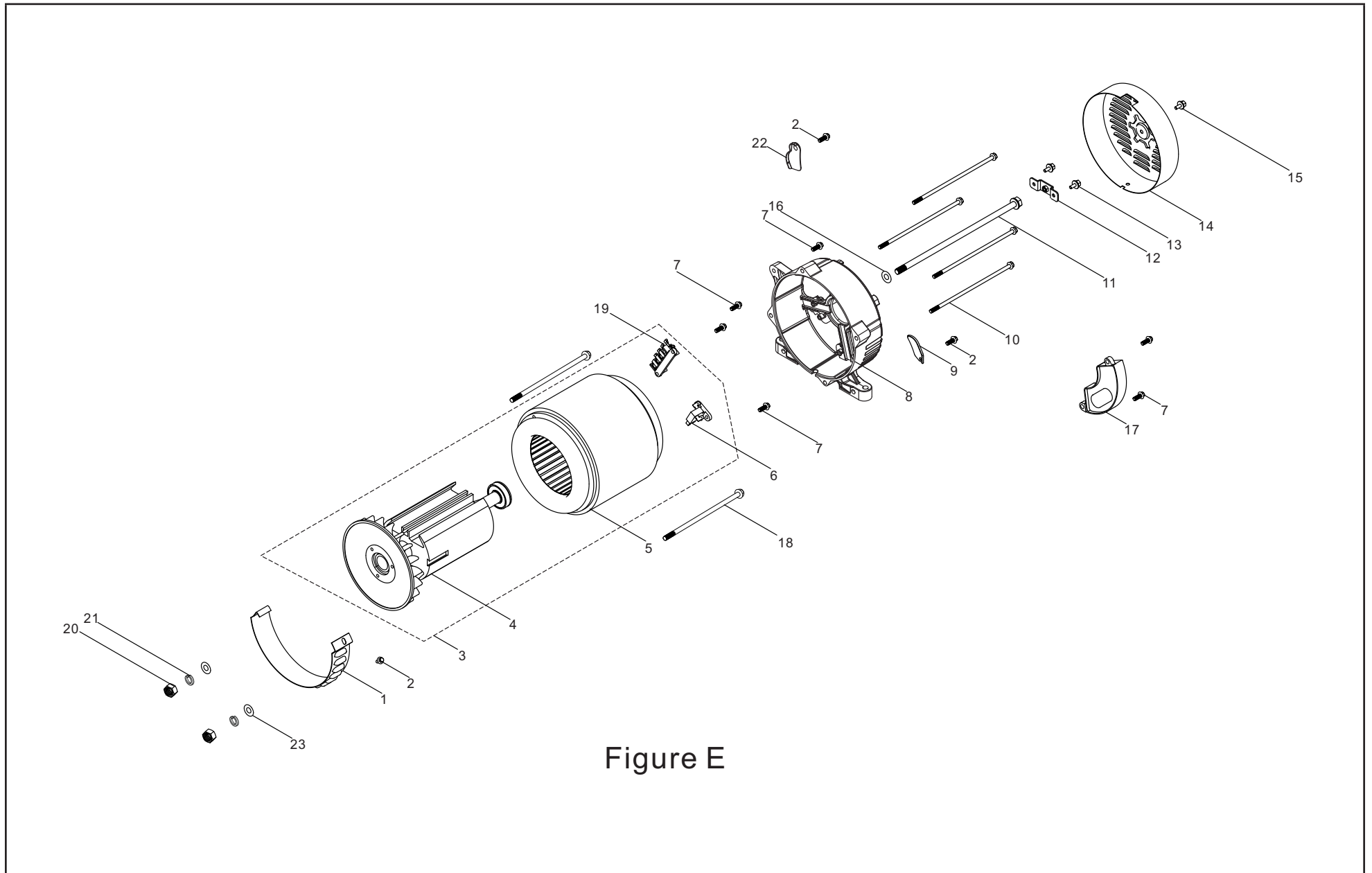


Figure E

**ALTERNATOR PARTS LIST**

| #  | Part Number  | Description                                 | Qty. |
|----|--------------|---|------|
| 1  | 30024-000007 | Shroud, Alternator                          | 1    |
| 2  | 90001-000001 | Hex Flange Bolt, M5 x 10, White Zn          | 3    |
| 3  | 31300-000048 | Alternator Assy, AL, D190 x 100             | 1    |
| 4  | 31330-000022 | Rotor, AL, D190 x 100                       | 1    |
| 5  | 31310-000036 | Stator, AL                                  | 1    |
| 6  | 31320-000002 | Carbon Brush Assy                           | 1    |
| 7  | 90001-000007 | Hex Flange Bolt, M5 x 16, White Zn          | 6    |
| 8  | 30021-000010 | Bracket, Motor                              | 1    |
| 9  | 30023-000012 | Stopper, Motor Right Cover, White Zn, Left  | 1    |
| 10 | 30048-000011 | Bolt M6 x 135, Stator, White Zn             | 4    |
| 11 | 30049-000012 | Bolt M10 x 225, Rotor, White Zn             | 1    |
| 12 | 51124-000010 | Mounting Bracket, White Zn                  | 1    |
| 13 | 90007-000003 | Hex Flange Bolt, M5 x 12, Blk Zn            | 2    |
| 14 | 30022-000016 | Cover, End Housing                          | 1    |
| 15 | 90001-000019 | Hex Flange Bolt, M6 x 12, Blk Zn            | 1    |
| 16 | 90408-000011 | Flat Washer, Ø10.4 x Ø30 x 4, White Zn      | 1    |
| 17 | 30060-000018 | AVR   | 1    |
| 18 | 31316-000006 | Stator Fixing Bolt, M5 x 173                | 2    |
| 19 | 31303-000002 | Terminal Block                              | 1    |
| 20 | 90303-000001 | Nut, M5, Stator, Blk Zn                     | 2    |
| 21 | 90403-000002 | Standard Spring Washer, Ø5, Blk Zn          | 2    |
| 22 | 30023-000013 | Stopper, Motor Right Cover, White Zn, Right | 1    |
| 23 | 90408-000003 | Flat Washer, Ø5, White Zn                   | 2    |

# FUEL TANK PARTS DIAGRAM

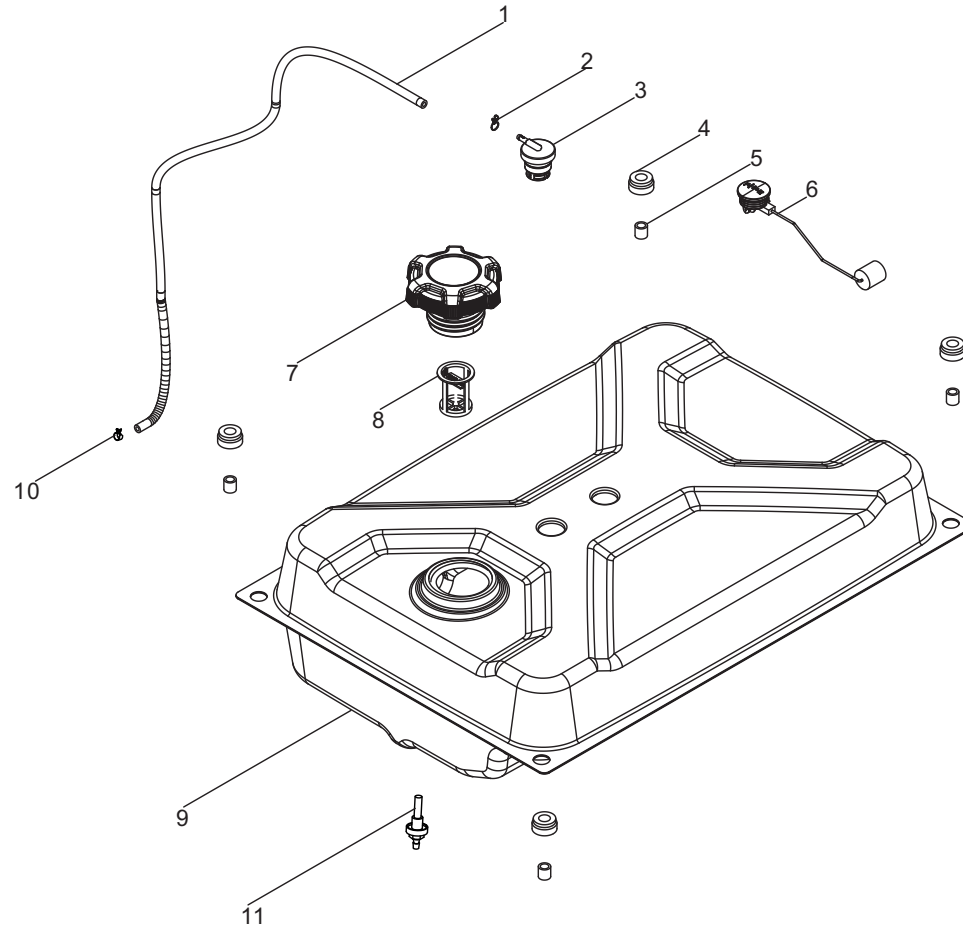


Figure F

**FUEL TANK PARTS LIST**

| #  | Part Number  | Description                           | Qty. |
|----|--------------|---------------------------------------|------|
| 1  | 16804-000036 | Connection Tube                       | 1    |
| 2  | 90740-000005 | Clamp, Ø9 x 1                         | 1    |
| 3  | 15150-000003 | Anti-Slosh Valve                      | 1    |
| 4  | 16601-000001 | Vibration Mount, Fuel Tank, 12.5× Ø16 | 4    |
| 5  | 90683-000001 | Bushing                               | 4    |
| 6  | 37200-000010 | Fuel Gauge                            | 1    |
| 7  | 16730-000010 | Fuel Tank Cap                         | 1    |
| 8  | 16652-000009 | Fuel Filter                           | 1    |
| 9  | 16620-000018 | Fuel Tank, 29.1L                      | 1    |
| 10 | 90685-000007 | Clamp, Ø9.5 x 0.8 x 8, Dacromet       | 1    |
| 11 | 16680-000005 | Fuel Outlet Assy                      | 1    |

# CONTROL PANEL PARTS DIAGRAM

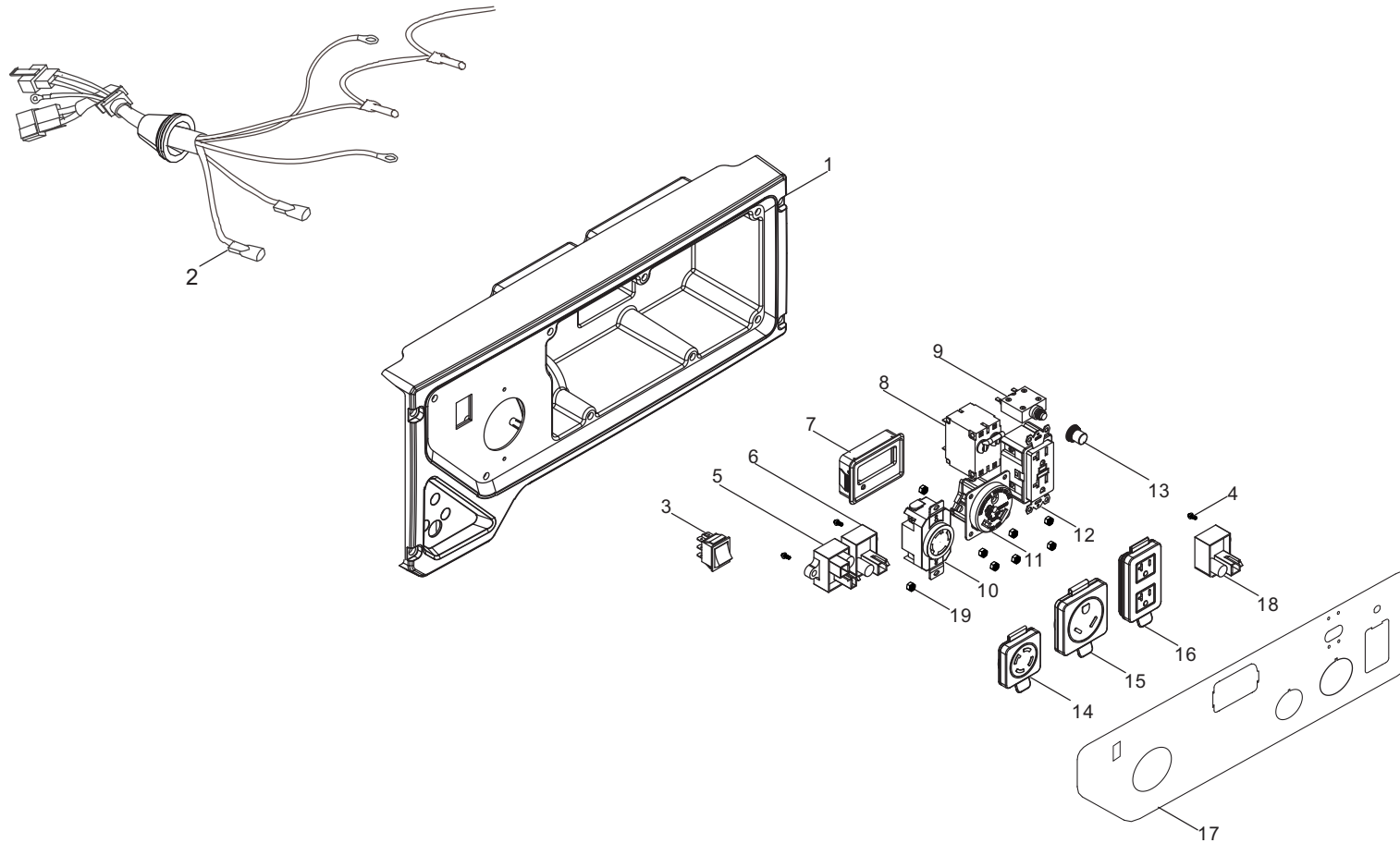


Figure G

**CONTROL PANEL PARTS LIST**

| #  | Part Number  | Description                              | Qty. |
|----|--------------|--|------|
| 1  | 35680-000026 | Seat, Panel                              | 1    |
| 2  | 35660-000092 | Wiring Harness, Control Panel            | 1    |
| 3  | 35160-000011 | Switch, Engine                           | 1    |
| 4  | 90103-000007 | Screw, M4 x 16, Blk Zn                   | 3    |
| 5  | 30008-000004 | Control Module, EV10                     | 1    |
| 6  | 30007-000009 | Charger Module, EC1605                   | 1    |
| 7  | 35632-000006 | Intelligauge, INT1A0F                    | 1    |
| 8  | 35627-000017 | 21Amp Circuit Breaker, 250V, 21A, 2P     | 1    |
| 9  | 31234-000003 | 20Amp Circuit Breaker, Push Button, 250V | 1    |
| 10 | 35614-000004 | L14-30R Receptacle, 30A, 125V/250V       | 1    |
| 11 | 35614-000007 | TT-30R Receptacle, 30A, 125V             | 1    |
| 12 | 35614-000018 | 5-20R GFCI Receptacle, 20A, 125V         | 1    |
| 13 | 35654-000005 | Cover, Push Button                       | 1    |
| 14 | 35654-000010 | Receptacle Cover, L14-30R                | 1    |
| 15 | 35654-000011 | Receptacle Cover, TT-30R                 | 1    |
| 16 | 35654-000013 | Receptacle Cover, 5-20R                  | 1    |
| 17 | 35650-000082 | Control Panel                            | 1    |
| 18 | 30008-000003 | Control Module, OV0402                   | 1    |
| 19 | 90305-000016 | Hex Flange Nut, M4, White Zn             | 8    |

# FRAME ASSEMBLY PARTS DIAGRAM

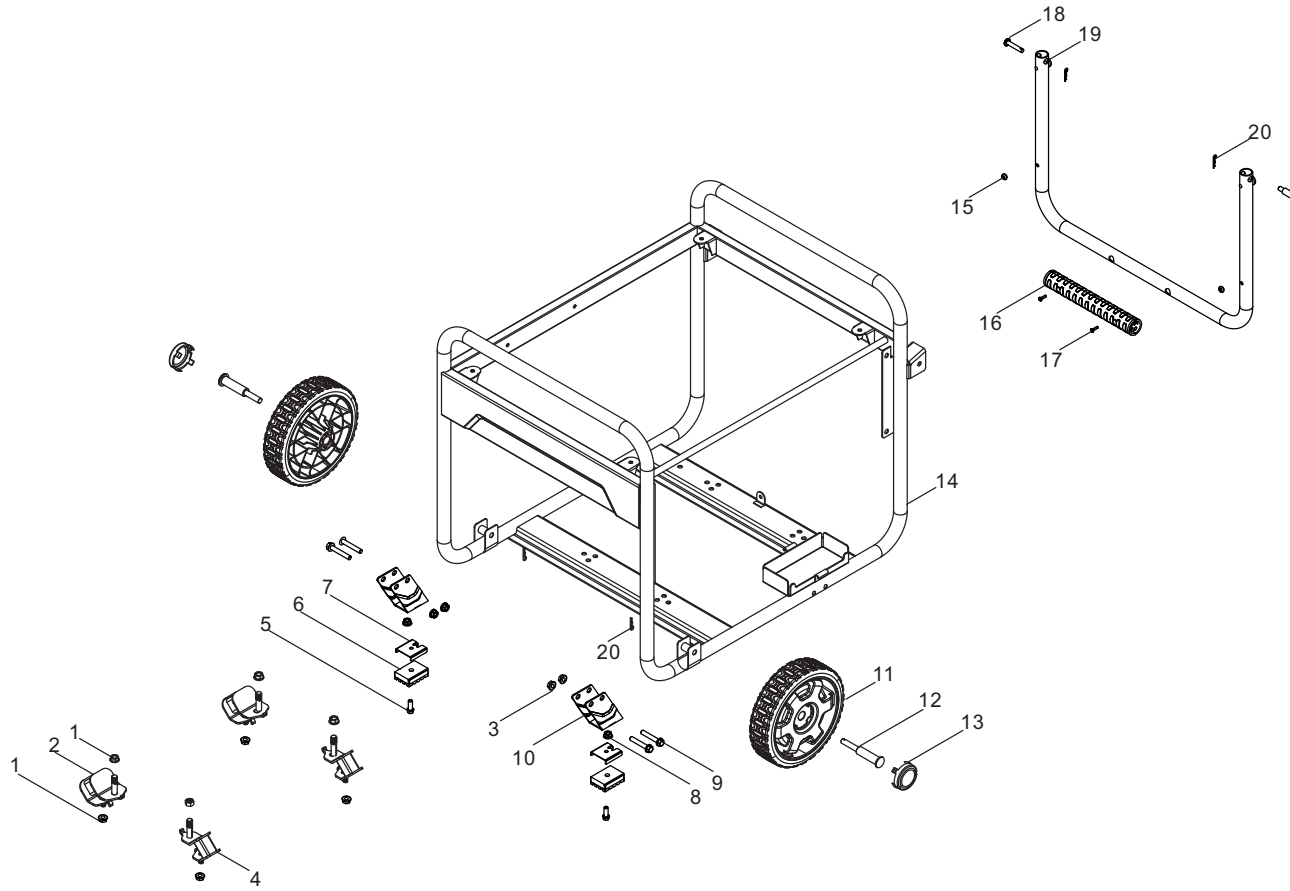


Figure H

**FRAME ASSEMBLY PARTS LIST**

| #  | Part Number  | Description                      | Qty. |
|----|--------------|----------------------------------|------|
| 1  | 90305-000010 | Hex Flange Nut, M8, White Zn     | 8    |
| 2  | 51012-000002 | Rear Vibration Mount, Frame      | 2    |
| 3  | 90305-000011 | Hex Flange Nut, M8, Blk Zn       | 4    |
| 4  | 51005-000020 | Vibration Mount, Frame           | 2    |
| 5  | 90001-000025 | Hex Flange Bolt, M6 x 20, Blk Zn | 2    |
| 6  | 51014-000017 | Vibration Mount, Support Leg     | 2    |
| 7  | 24329-000008 | Block 2                          | 2    |
| 8  | 90305-000008 | Hex Flange Nut, M6, Blk Zn       | 2    |
| 9  | 90001-000051 | Hex Flange Bolt, M8 x 40, Blk Zn | 4    |
| 10 | 51016-000009 | Support Leg                      | 2    |
| 11 | 44110-000002 | 8in. Wheel, Yellow               | 2    |
| 12 | 44020-000010 | Roll Pin, L=95, Blk Zn           | 2    |
| 13 | 44001-000003 | Cover, Hub Decorated             | 2    |
| 14 | 51100-000084 | Frame Assy, 655 x 525 x 545      | 1    |
| 15 | 90722-000006 | Plug, End                        | 2    |
| 16 | 54101-000006 | Handle Sheath, 25 x 233          | 1    |
| 17 | 90102-000010 | Screw, M4 x 16, Blk Zn           | 2    |
| 18 | 90504-000006 | Pin Shaft, Blk Zn                | 2    |
| 19 | 54110-000013 | Handle, 525 x 385 x 31           | 1    |
| 20 | 90583-000001 | R Pin, Blk Zn                    | 2    |

# WIRING DIAGRAM

