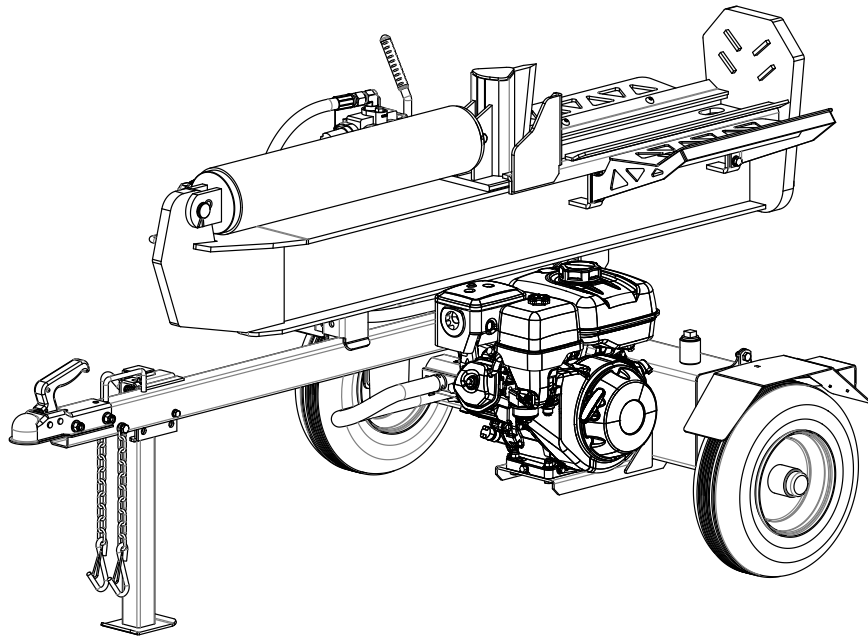




Champion Power Equipment, Inc.

MODEL #201628



PARTS INFORMATION

38-TON GAS POWERED LOG SPLITTER

SERIAL NUMBER RANGE: ALL



To order replacement parts please visit:
shop.championpowerequipment.com
or call **1-877-338-0999**.

TABLE OF CONTENTS

Log Splitter Parts Diagram - A	3
Log Splitter Parts List - A	4
Log Splitter Parts Diagram - B	5
Log Splitter Parts List - B	6
Log Splitter Parts Diagram - C	7
Log Splitter Parts List - C	8

LOG SPLITTER PARTS DIAGRAM - A

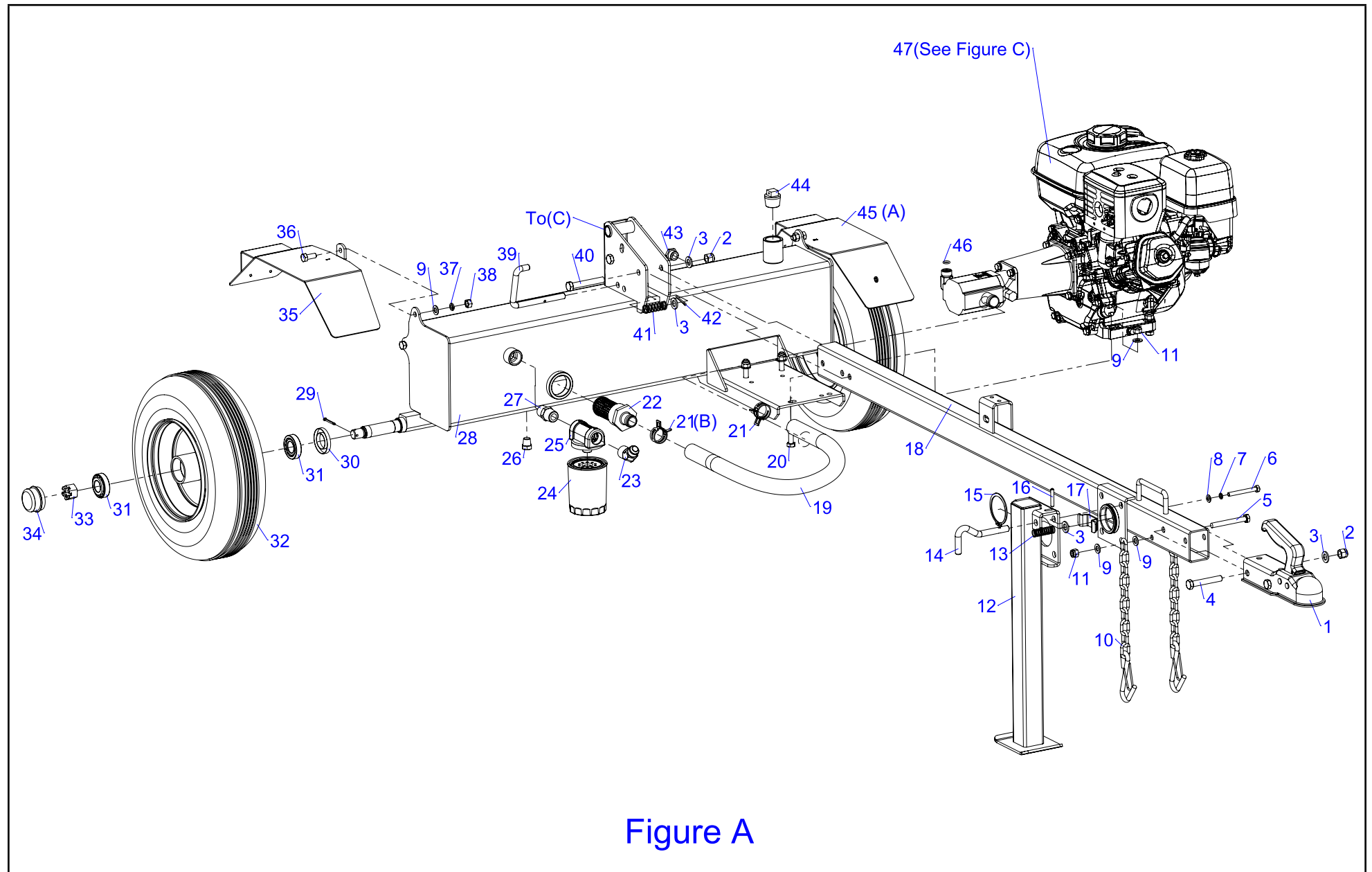


Figure A

LOG SPLITTER PARTS LIST - A

#	Part Number	Description	Qty.
1	PMJ27B-40	2-in. Coupler	1
2	G889.1-2000-M12	Lock Nut M12	4
3	G95-2000-12	Washer Ø12	7
4	G5782-2000-M12-75	Bolt M12x75	2
5	G5782-2000-M10-85	Bolt M10x85	1
6	G5785-2000-M8-1-70	Bolt M8 x 1.0 x 70	1
7	G93-1987-8	Lock Washer Ø8	1
8	G95-2000-8	Washer Ø8	1
9	G95-2000-10	Washer Ø10	12
10	PMJ25M-18-00	Safety Chain With Hook	2
11	G889.1-2000-M10	Lock Nut M10	5
12	PMJ25Y-07-00	Front Support Leg	1
13	PMJ25Y-18	Spring	1
14	PMJ25Y-16	Lock Pin	1
15	G894.1-86-63	Circlip Ø63	1
16	G879.2-2000-6-40	Elastic Cylindrical Pin 6x40	1
17	PMJ25E-21	Press Plate	1
18	PMJ37E-03-00A	Base Tube	1
19	PMJ25M-17	Oil Pipe	1
20	G5780-2000-M10-45	Bolt M10x45	4
21	PMJ25Y-38	Clamp d30	2
22	PMJ22Q-20A	Internal Oil Filter	1
23	PMJ25Y-24	JIC Connector, 135 Degree	1
24	PMJ22G-52	Auto Filter	1
25	PMJ25M-20-00	Auto Filter Base	1
26	PMJ22G-19	Oil Plug	1
27	PMJ22Q-23	Through Joint	1
28	PMJ27B-04-00	Oil Tank	1
29	G91-2000-4-32	Cotter Pin Ø4x32	2
30	PMJ22J-05-01	Cased Seal	2

#	Part Number	Description	Qty.
31	L44643 LYC DS	Tapered Bearing	4
32	PMJ22D-05-03	Wheel	2
33	G9459-1988-M20-1.5	Slotted Nut M20x1.5	2
34	PMJ22J-05-02	Axle Cap	2
35	PMJ22G-34-00	Left Fender	1
36	G5783-2000-M10-25	Bolt M10x25	4
37	G93-1987-10	Lock Washer Ø10	4
38	G6170-2000-M10	Nut M10	4
39	PMJ25Y-15	Pin	1
40	G5782-2000-M12-80	Bolt M12x80	2
41	PMJ25Y-17	Spring	1
42	G95-2000-3.2-14	Cotter Pin 3.2x14	1
43	G1160.2-89	Oil Scale	1
44	PMJ22G-18	Screw NPT 1 in.	1
45	PMJ22G-35-00	Right Fender	1
46	G3452.1-92-10-2.65	"O" Ring Ø10x2.65	2
47	See Figure C	Engine Assembly (See Figure C)	1

LOG SPLITTER PARTS DIAGRAM - B

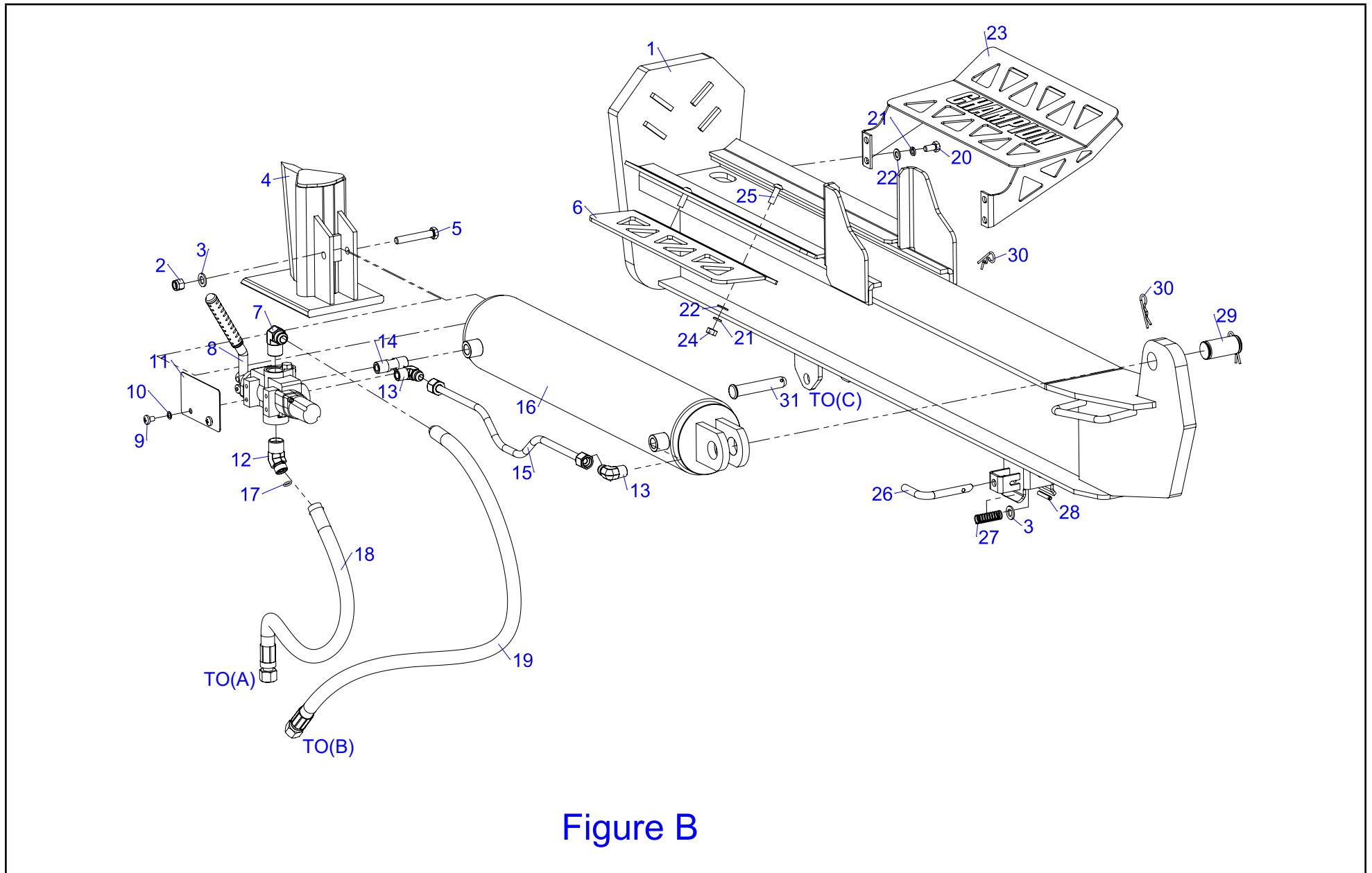


Figure B

LOG SPLITTER PARTS LIST - B

#	Part Number	Description	Qty.
1	PMJ37E-01-00	Beam	1
2	G889.1-2000-M12	Lock Nut M12	1
3	G95-2000-12	Washer Ø12	1
4	PMJ25E-02-00	Wedge Slide	1
5	G5782-2000-M12-75	Bolt M12x75(12.9)	1
6	PMJ25M-31	Short Log Catcher	1
7	PMJ25Y-23	JIC Connector, 90 Degree	1
8	PMJ25E-12	Control Valve	1
9	G818-2000-M8-12	Bolt M8x12	2
10	G859-1987-8	Washer Ø8	2
11	PMJ22J-19	Plate	1
12	PMJ20J-17	Filter Housing "OUT" Connection	1
13	PMJ25M-29	Right Angle Joiner	2
14	PMJ22M-22	Valve Joiner	1
15	PMJ37M-28	Hydraulic Hose(Valve-Cylinder)	1
16	PMJ37M-08-00	Cylinder	1
17	G3452.1-92-10-2.65	"O" Ring Ø10x2.65	2
18	PMJ25M-15A	Hydraulic Hose(Valve-Pump)	1
19	PMJ25Y-22	Hydraulic Hose(Valve-Oil Tank)	1
20	G5783-2000-M10-20	Bolt M10x20	4
21	G93-1987-10	Lock Washer Ø10	6
22	G95-2000-10	Washer Ø10	6
23	PMJ25M-36-00	Log Catcher Bracket	1
24	G6170-2000-M10	Nut M10	2
25	G70.2-2000-M10-30	Bolt M10x30	2
26	PMJ25Y-14	Lock Pin	1

#	Part Number	Description	Qty.
27	PMJ25Y-18	Spring	1
28	G879.2-2000-6-40	Elastic Cylindrical Pin 6x40	1
29	PMJ37N-13	Wedge Pin	1
30	GJY12-3	R Pin	3
31	PMJ25Y-19	Pin	1

LOG SPLITTER PARTS DIAGRAM - C

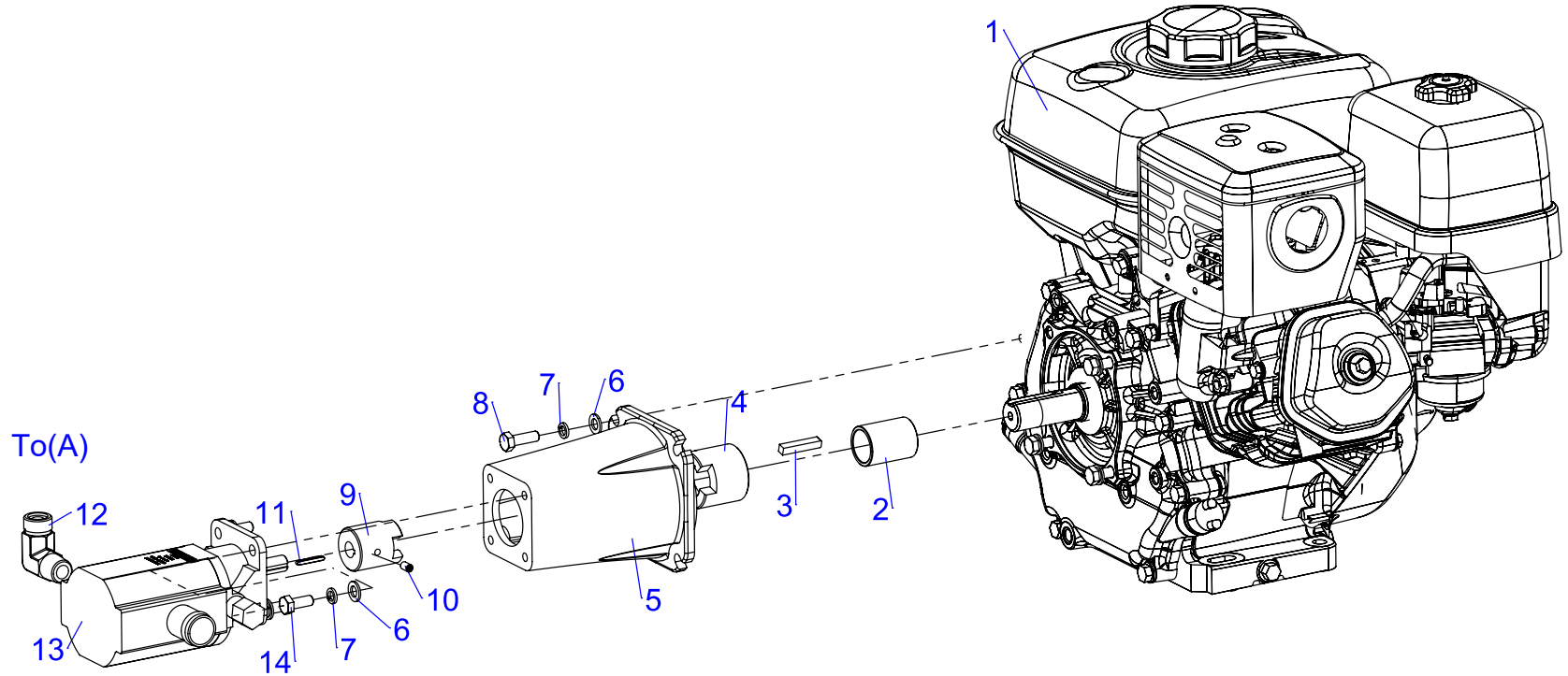


Figure C

LOG SPLITTER PARTS LIST - C

#	Part Number	Description	Qty.
1	GX270UT2X-QAG2-R280	Engine	1
2	PMJ30-29	Engine Bushing	1
3	PMJ30-32	Flat Key	1
4	PMJ30-28	Engine Connector	1
5	PMJ30-23	Gear Pump Stand	1
6	G95-2000-8	Washer Ø8	8
7	G93-1987-8	Lock Washer Ø8	8
8	ASME-B18.2.1-1996-516-24-1	Bolt 5/16 in.-24x1 in.	4
9	PMJ22G-26	Gear Pump Connector	1
10	G77-2000-M6-10	Screw M6x10	1
11	G1096-1979-3.18-25.4	Flat Key 3.18x25.4	1
12	PMJ25M-16	Outlet Connector Of Pump	1
13	PMJ22J-14	Gear Pump	1
14	G5783-2000-M8-20	Bolt M8x20	4